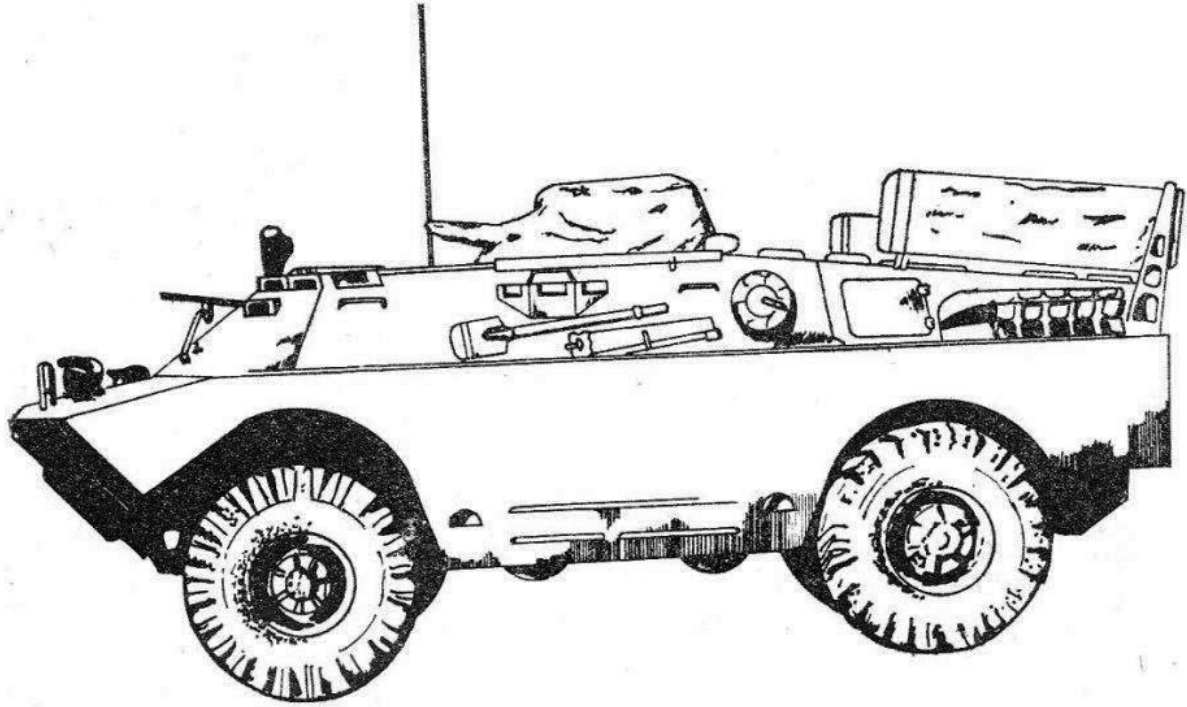
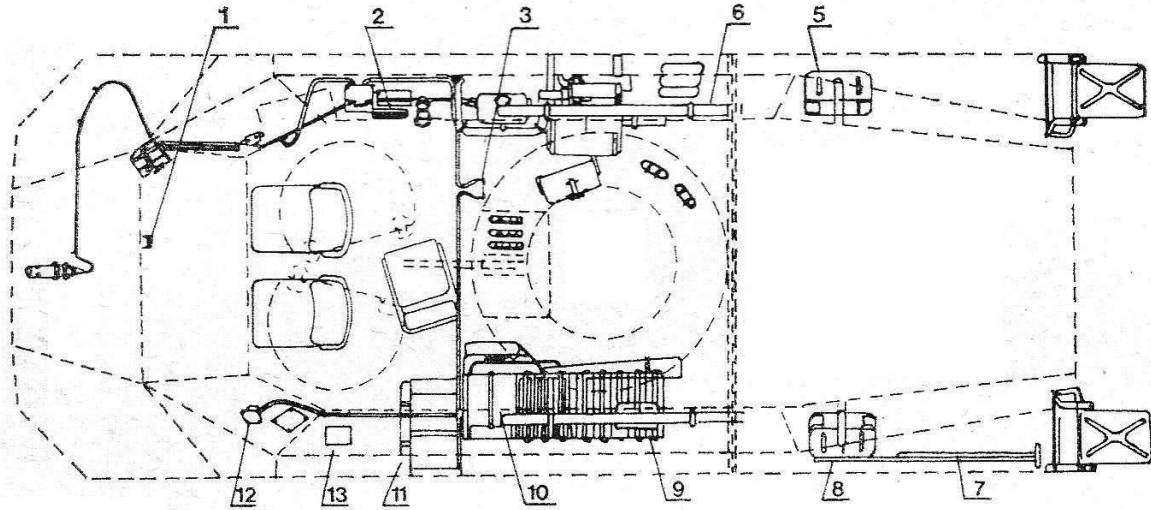


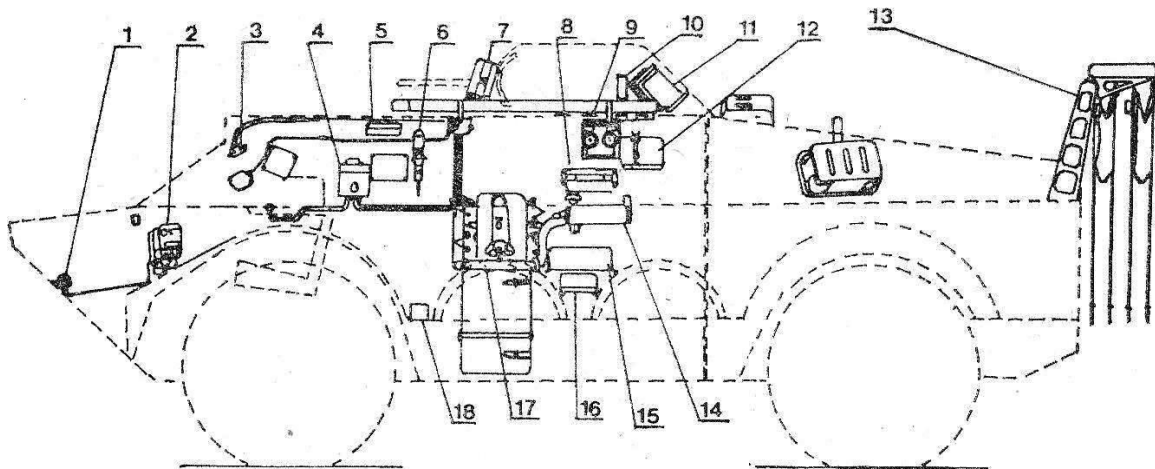
BRDM-2 rch Data





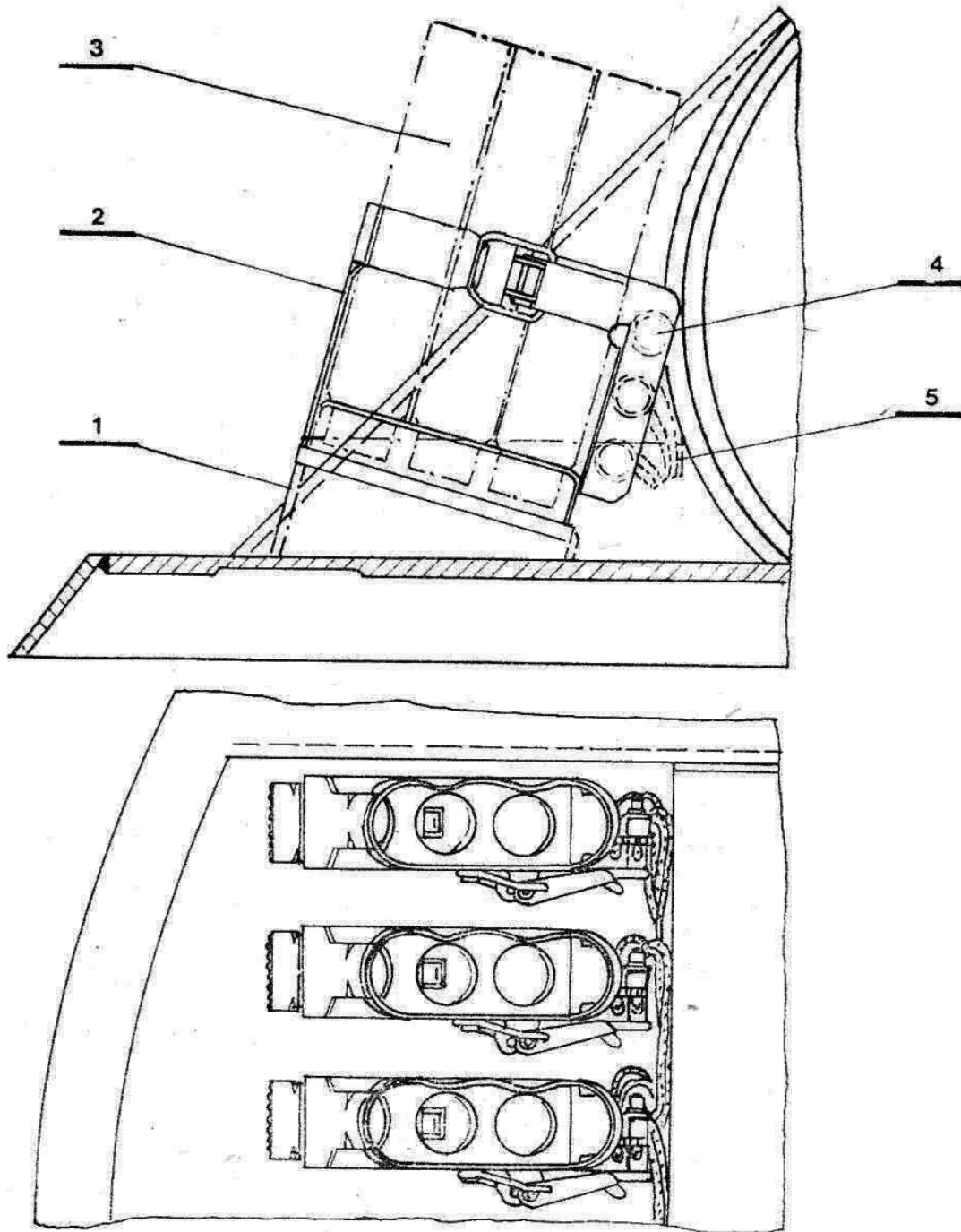
Special equipment, armored reconnaissance carrier BRDM-2 RCH
(viewed from above)

- 1 - hour flight, 2 - bag for front storage switches THZ R-124, 3 - THZ A8 Box R-124;
- 5 - head rest device vytycovacího; 6 - backup surveying flags, 7-handle Shears, 8 - No ones;
- 9 - Weather Kit MK-3, 10 - kit with accessories and spare parts of special equipment;
- 11 - Bag ? CHP-71, 12 - Cabinet A4 THZ R-124, 13 - CHP-71



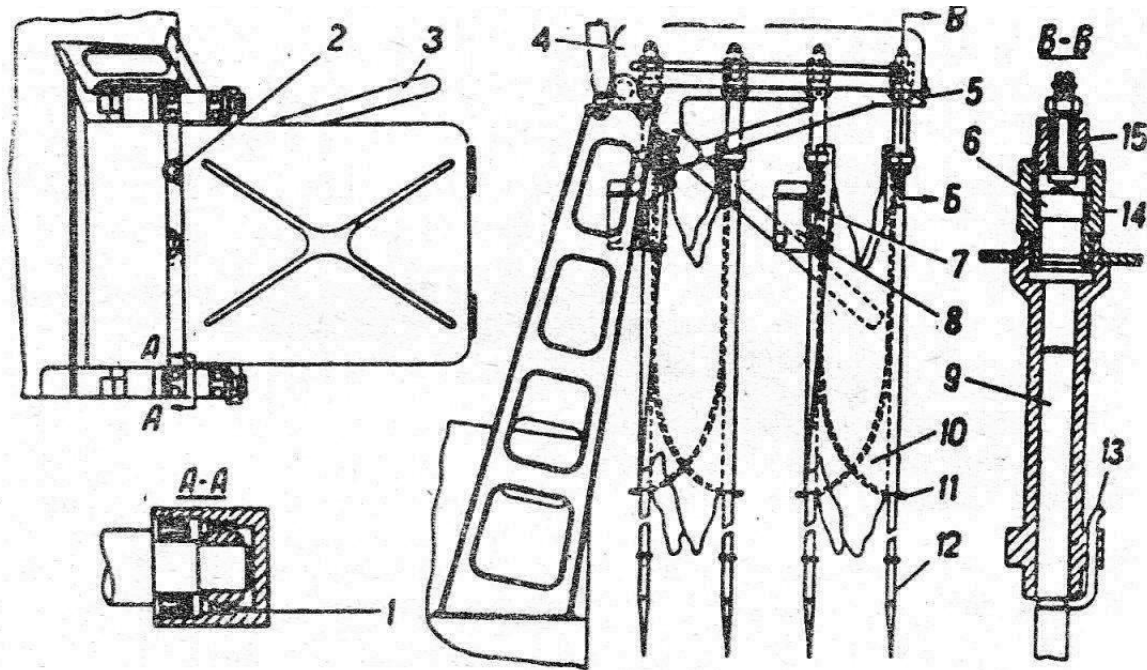
Special equipment, armored reconnaissance carrier BRDM-2 RCH (view
the left)

- 1 - probe DP-3b, 2 - DP-3b, 3 - remote alarm panel GSP-11, 4 - Cabinet ?? THZ R-124, 5 - Box
for storing hand grenades, 6-PPCHR; 7-signaling device for firing ammunition, 8-bag
prukazníkovými with tubes and spare parts kit and ? PPCHR CHP-71; 9 - ovl dation panel vytycovacího
equipment; 70-RDG-2, 77 - set ? sampling KPO-1, 72-1T-65, 13-head vytycovacího
equipment, 14-panel power supply, 15 - transducers of the feeder, 16-set indicator means
GSP-11, GSP-77-11, 18-suite facilities with GSP-11



Launchers signal flares

1 - Console mount cartridges \ 2 - cartridge mounting signal flares, 3 - signal flares, 4 - electric terminals for connecting wires of signal flares, 5-wire control panel cd



surveying equipment

1 - head bearing staking device; 2 - latch lever surveying equipment; 3 - ? lever rotation surveying equipment; 4 - head cover surveying equipment, 5-head of surveying equipment; 6 - pyronábojka PP 9, 7 - pin for attaching the signal lamp, 8 - signal lamp; 9 - surveying flag, 10 - own flag; 11 - Tension spring flag; 12 - staking spike flag; 13 - pen holder surveying Flag, 14 - Chamber pyronábojky; 15 - firing cap