

Deep Water Military Fording Kit - Parts List

(Part#: 808454 & 808456)

<u>AMT. REQD.</u>	<u>W.O. Part No.</u>	<u>Description</u>
1	806911	Support & Bracket Assy. - Air Intake Flex Hose
1	648452	Ring - Air Intake Support Tube Anti-Squeak
1	806522	Flexible Hose Assy. Air Intake (To Air Cleaner)
6	806455	Clamp - Air Intake Flex Hose to Support
3	GM-133056	Screw - Rd. Hd. 1/4-20 x 1-1/2
3	A-17380	Spacer - Clamp to Support
3	GM-120423	Lockwasher - 1/4 Int. - Clamp to Support
3	GM-126177	Wing Nut - 1/4-20 - Clamp to Support
2	800585	Hex. Hd. Mach. Screw & Ext. L.W. - 5/16-24 x 1-1/4 (For Support & Brkt. Assy. to Cowl)
1	806456	Bracket - Pipe - Air Intake
2	GM-423561	Hex. Hd. Mach. Screw & Ext. L.W. - 5/16-18 x 7/8 (Bracket - Pipe - Air Intake to Fender)
1	808040	Hood Strap - Air Intake Hose
2	GM-120706	Bolt, Hex. Hd. - 1/4-20 x 1/2
2	805003	Nut & Spring L.W. Assy. - 1/4-20
1	800978	Hose Clamp - 3-1/8 (Air Intake Flex. Hose to Air Cleaner)
1	649863	Exhaust Tail Pipe Assembly
1	A-7967	Muffler to Tail Pipe Gasket
2	GM-121661	Bolt - Hex. - 5/16-24 x 1 - Tail Pipe to Muffler
2	801678	Nut - Hex. - 5/16-24 (Hug Lock) - Tail Pipe to Muffler
1	800785	Exhaust Tail Pipe to Body Clamp Assy.
1	GM-121661	Bolt - Hex. Hd. 5/16-24 x 1 - Exhaust Tail Pipe to Body Clamp to Tail Pipe.
1	GM-120393	Washer Plain - 5/16 - Exhaust Tail Pipe to Body Clamp to Tail Pipe.
1	801678	Nut, hex, 5/16-24 (Hug Lock)
2	GM-121661	Bolt Hex. Hd. - 5/16-24 x1 - Mtg. Tail Pipe Support to Body
2	GM-120393	Washer - 5/16 Plain - Mtg. Tail Pipe Support to Body
2	801678	Nut - Hex. - 5/16-24 (Hug Lock) - Mtg. Tail Pipe Support to Body.

Questions about this Installation?

Call us Toll Free at:

1-888-648-4923

(Mon-Fri, 9AM-5PM, EST)

or email Mike Meditz at:

mike@kaiserwillys.com

Form 808456
November, 1958

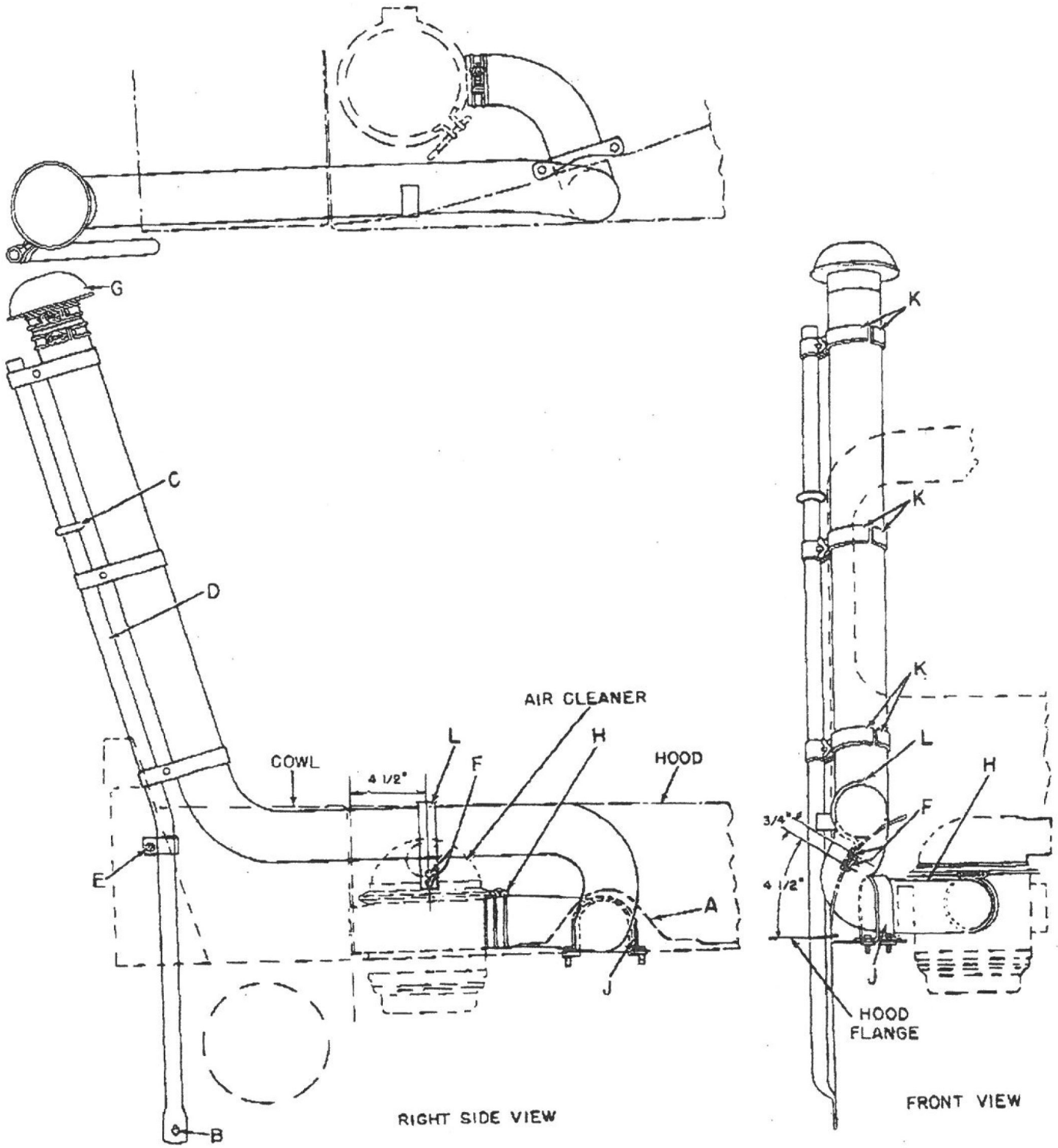


FIG. 1

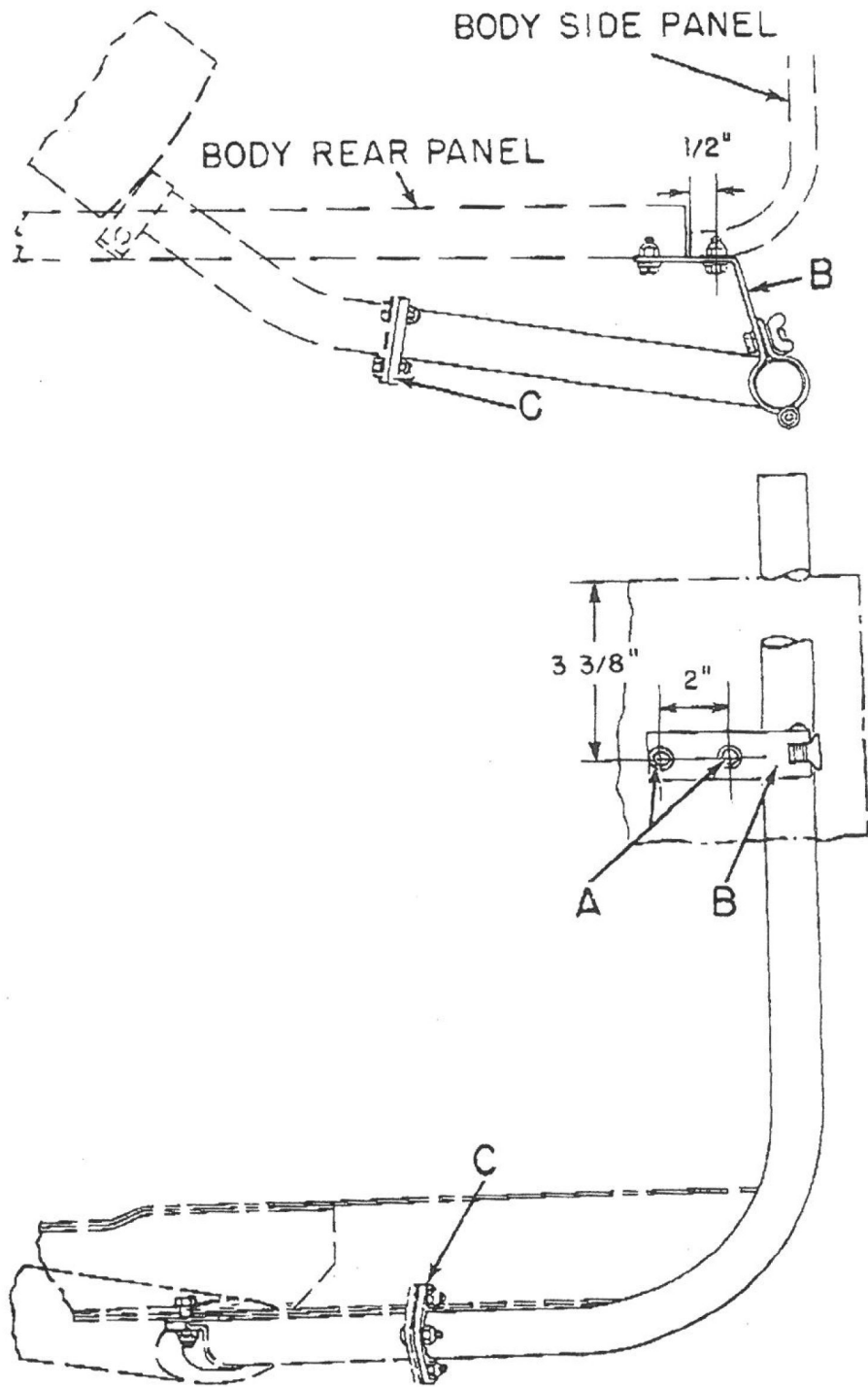


FIG. 2