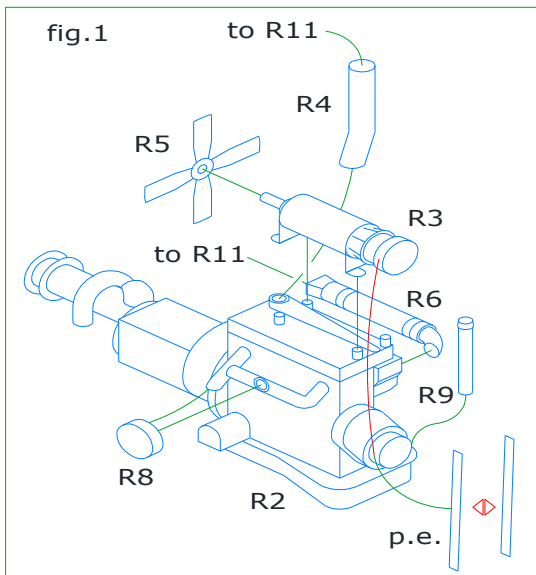
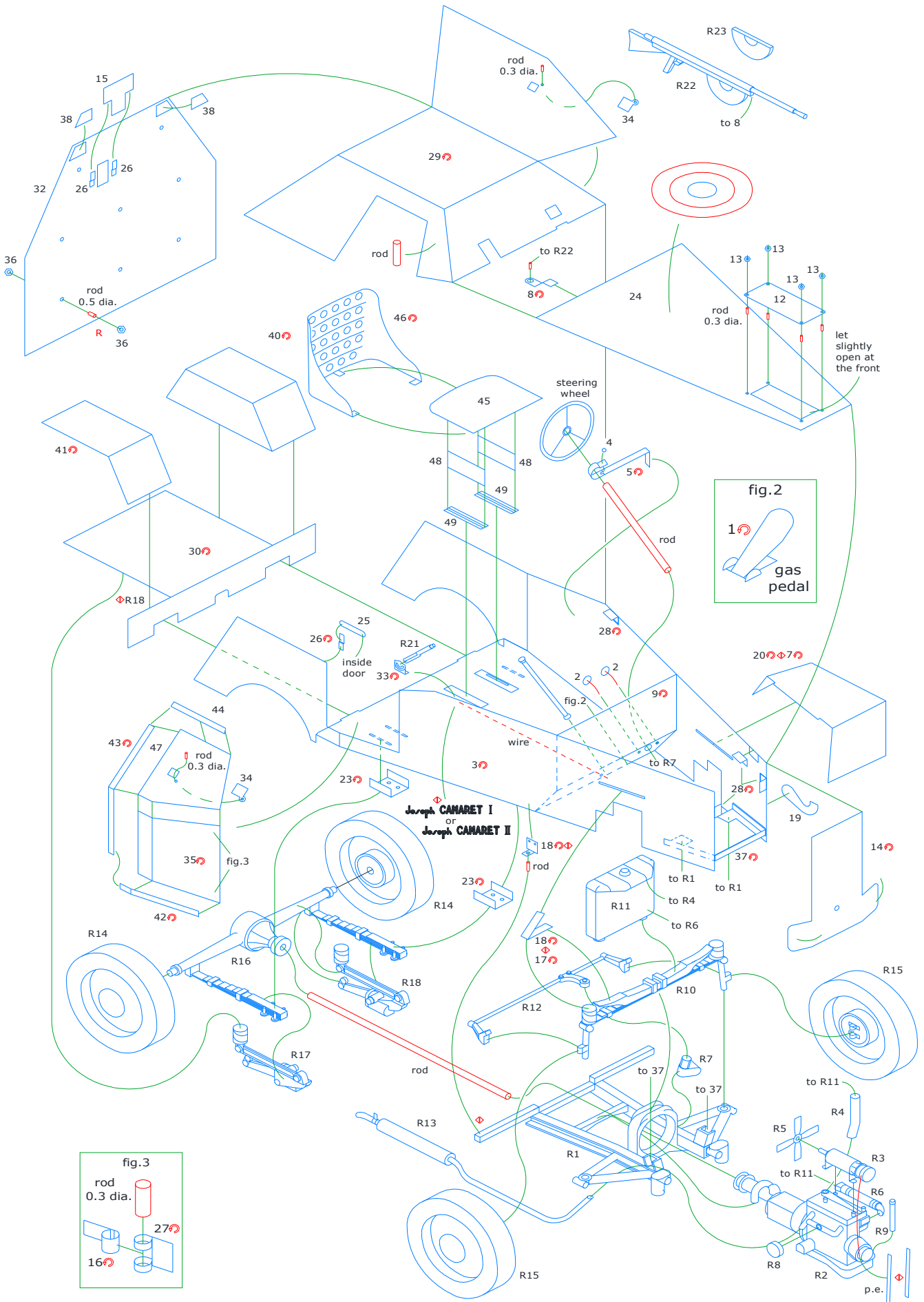
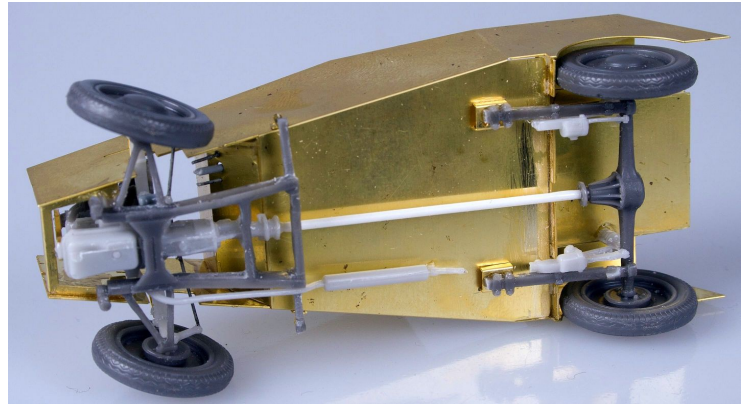
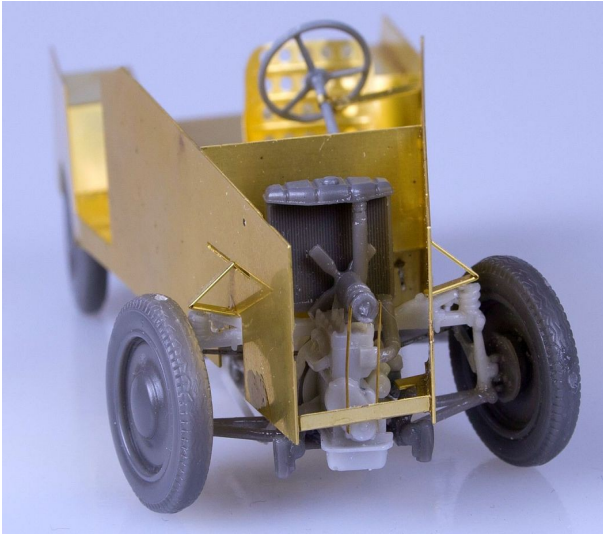


 Bend  
 Symmetrically (Both sides)  
 Optional  
 Put Into  
 BSM parts  
 Scratchbuilt or modified parts  
 Repeat on all similars







Paint scheme:

You can see the paint scheme of both vehicles in the pictures below, there is not more relevant info.

Colors:

Forest green.

Warn sand yellow.

Brown earth.

It seems that the wheels had been picked up straight from civilian cars, and shows original colour with chromed hub caps.

