



M551A1/ M551A1 TTS SHERIDAN

M551A1/ A1 TTS 谢里登轻型坦克

M551A1/ TTS シェリダン

ASSEMBLY ICONS



OPTIONAL
选择



CEMENT
膠水



DO NOT CEMENT
不使用膠水



INSTANT CEMENT
瞬間接著劑



BEND
彎折



MAKE 2
製作2組



OPEN HOLE
鑽孔



REMOVE
切除



BE CAREFUL
注意



APPLY DECAL
貼上水貼紙

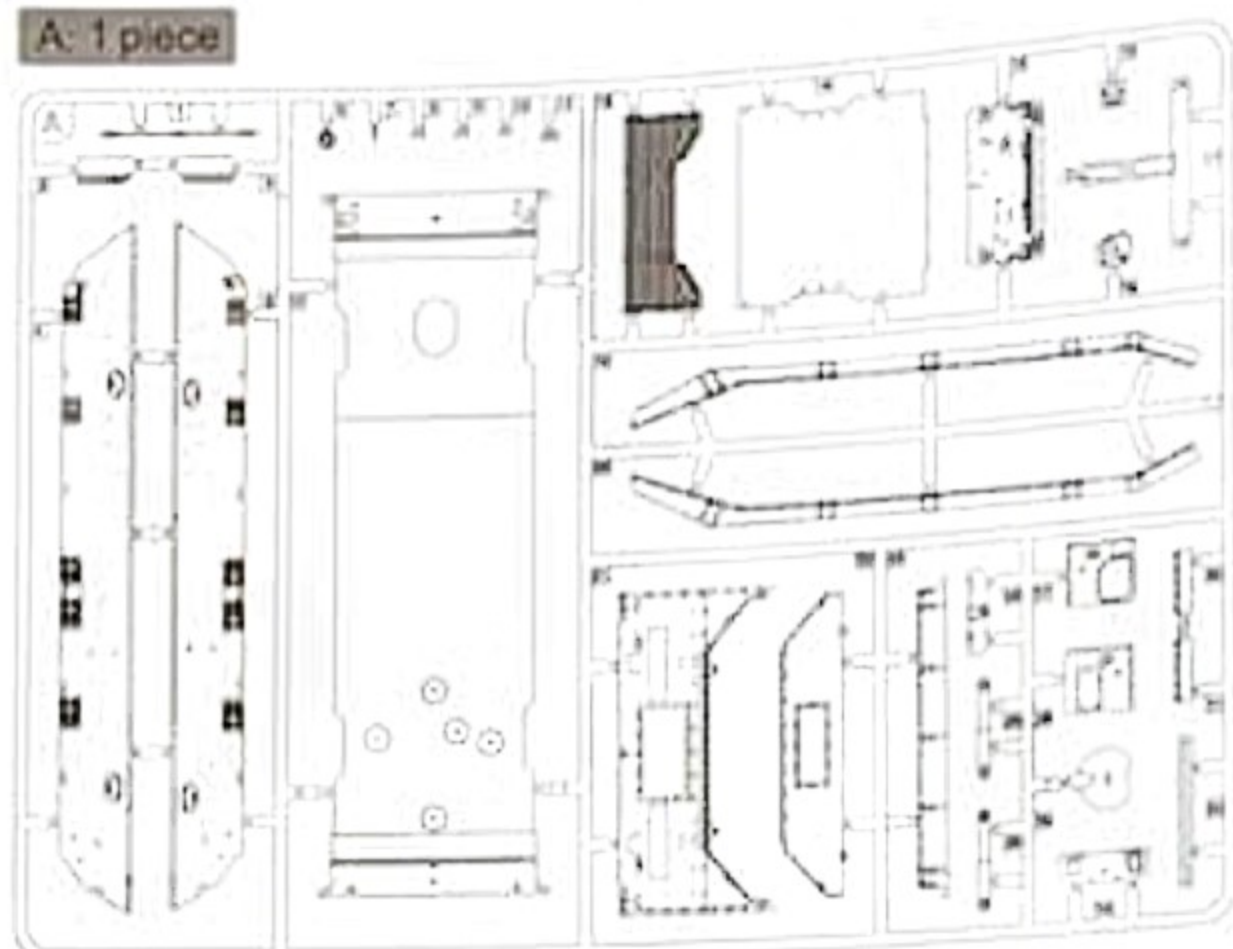
CAUTION!

Read carefully and fully understand the instructions before commencing assembly.
Supervising adult should also read the instructions if a child assembles the model.
When you used glue or paint, do not use near a naked flame, and use in a well-ventilated room.
When assembling this kit, tools including knives are used. Extra care should be taken to avoid personal injury.
Read and follow the instructions supplied with paints and/ or cement. Use plastic cement and paints only.
Keep out of reach of small children. Children must not be allowed to suck any part, or pull vinyl bag over the head.

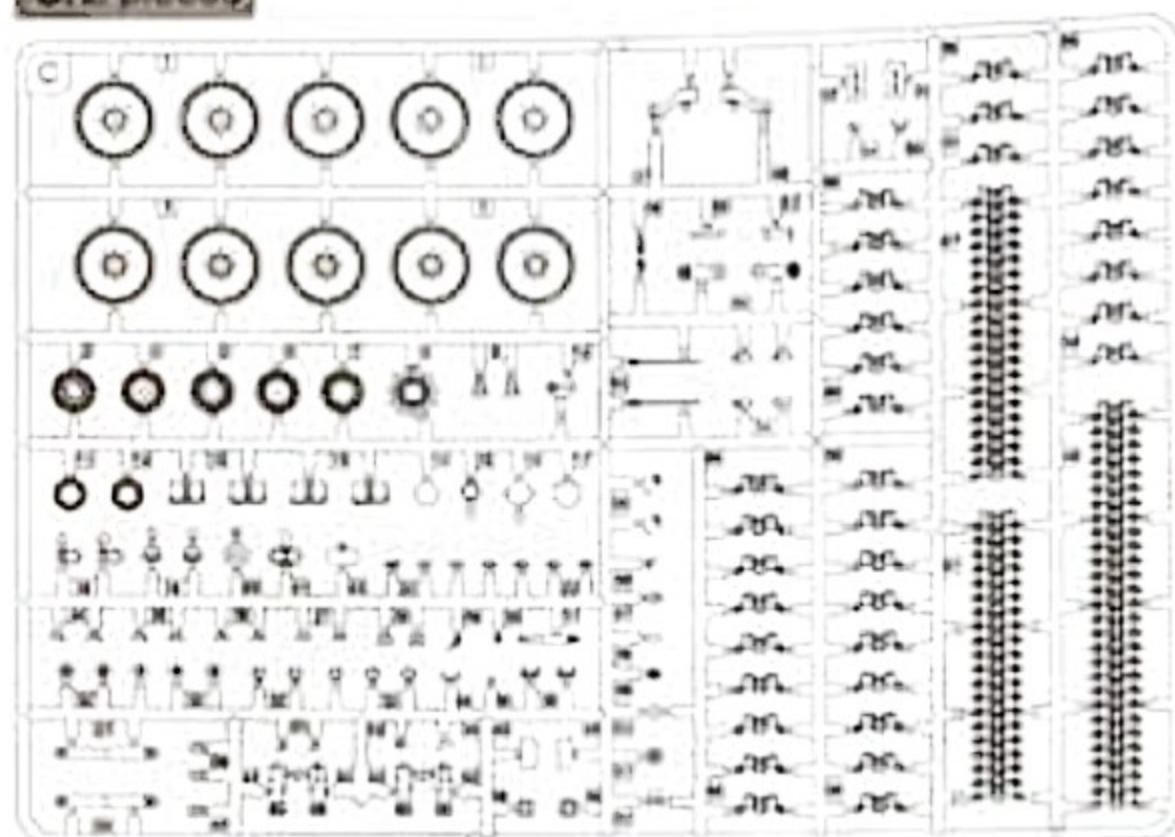
在裝配前仔細閱讀說明並完全理解。小孩裝配時需成人看護且需仔細閱讀說明。
使用膠水和油漆時，應遠離火源並打開窗戶保持空氣流通。
製作時請格外注意工具刀和零件的鋒利尖銳部分，避免對身體造成傷害。
在使用膠水和油漆前仔細閱讀注意事項，按照說明正確使用膠水和油漆。
請將本品放在兒童接觸不到的地方，套件中的塑膠包裝袋會對兒童造成窒息的危險。

PARTS 部品图

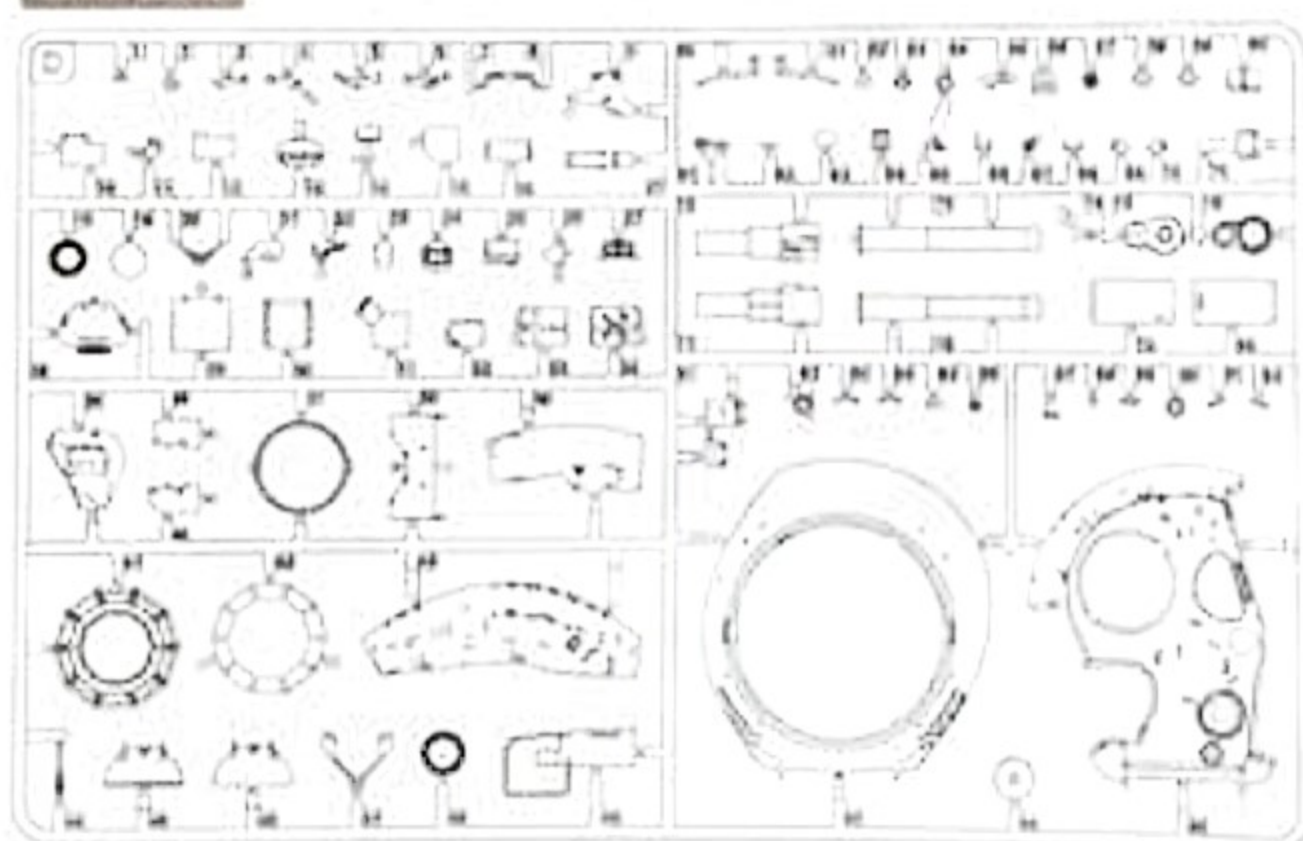
A: 1 piece



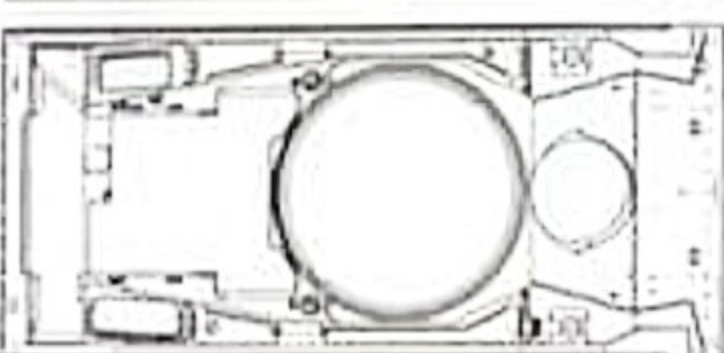
C: 2 pieces



D: 1 piece



Lower Hull: 1 piece



Y: 1 piece



B: 1 piece



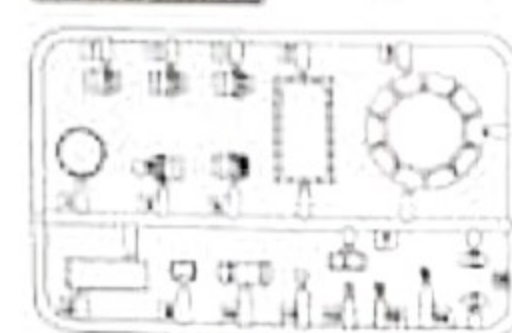
E: 1 piece



F: 1 piece



T: 1 piece



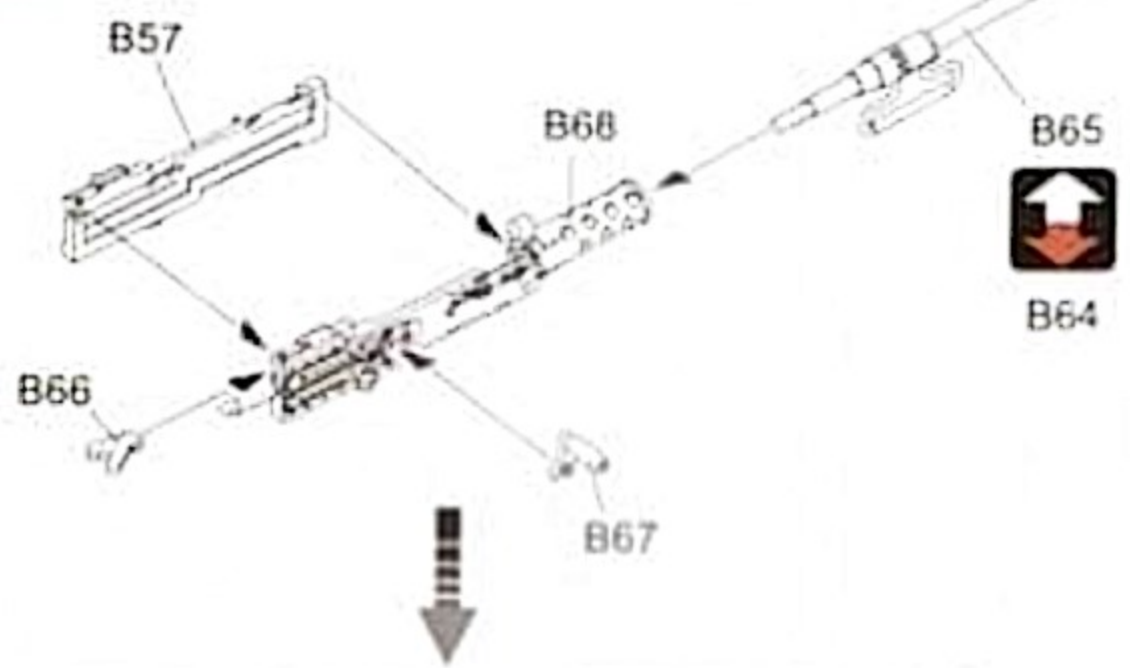
Decal: 1 piece



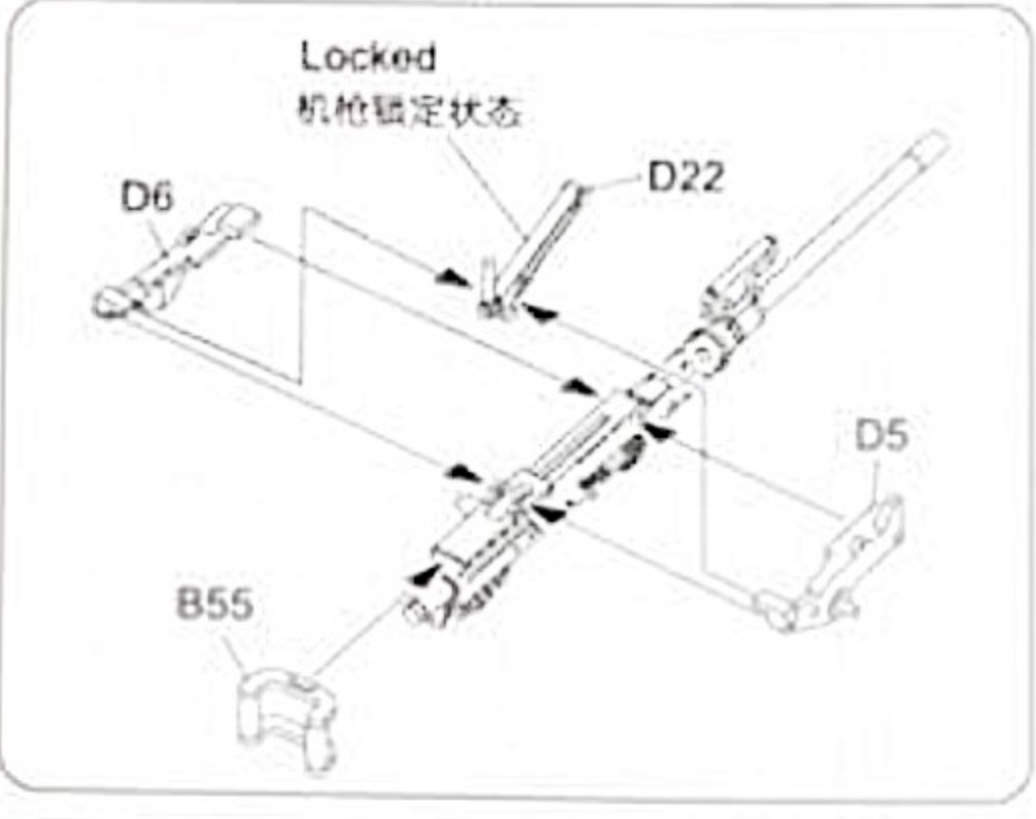
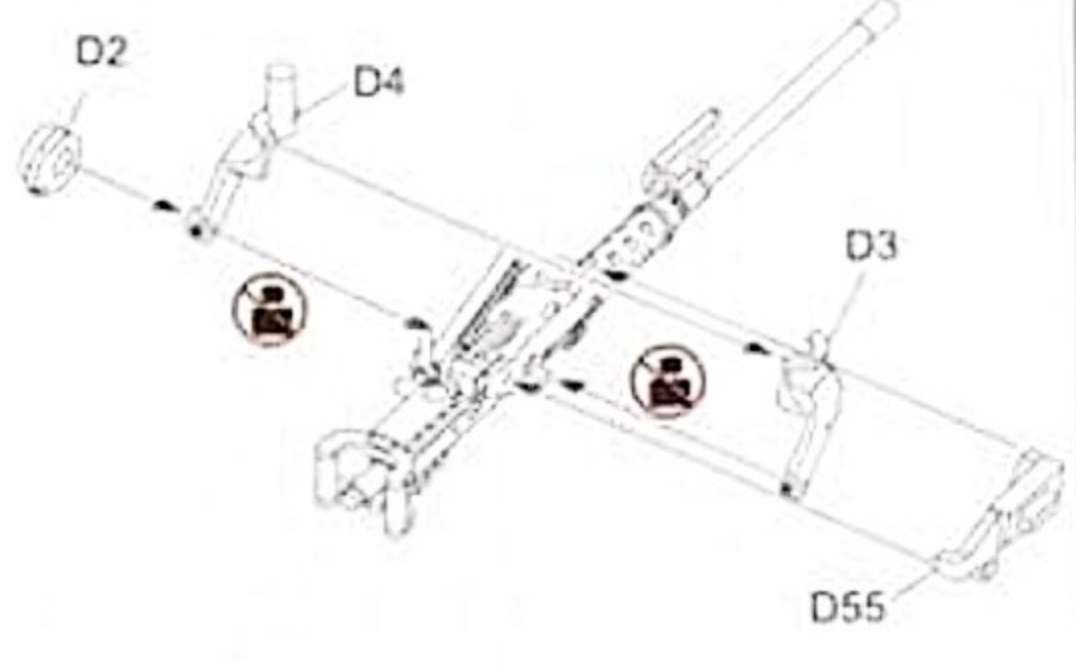
Spring



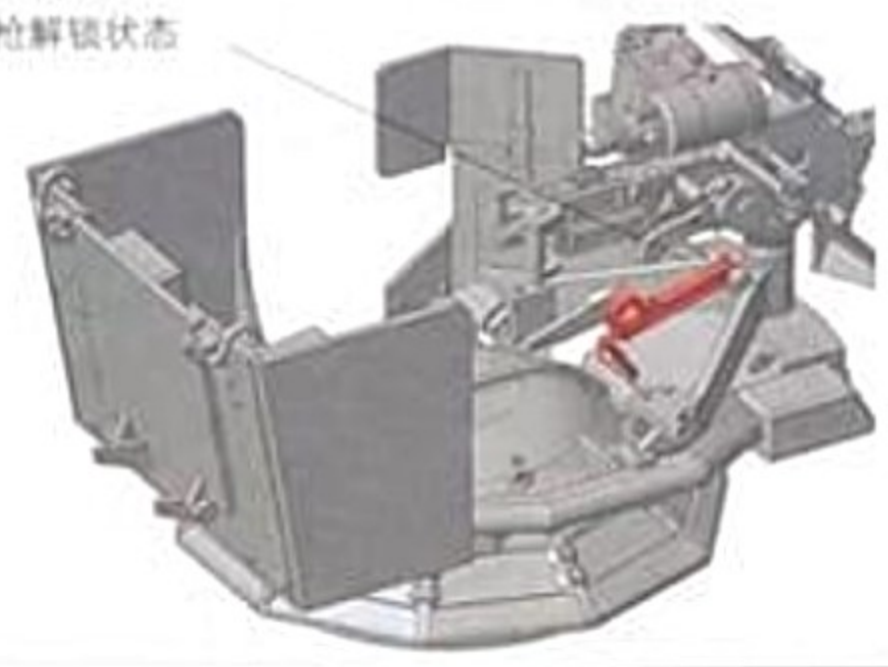
STEP 1



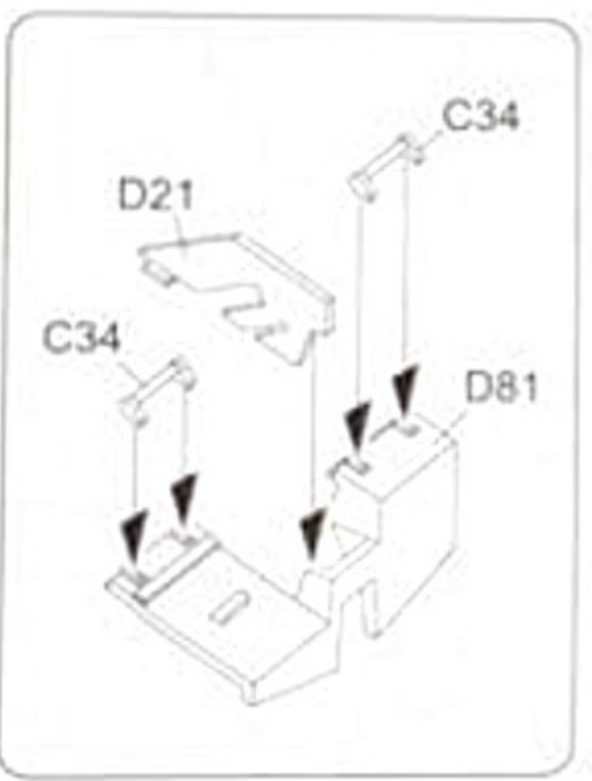
STEP 2



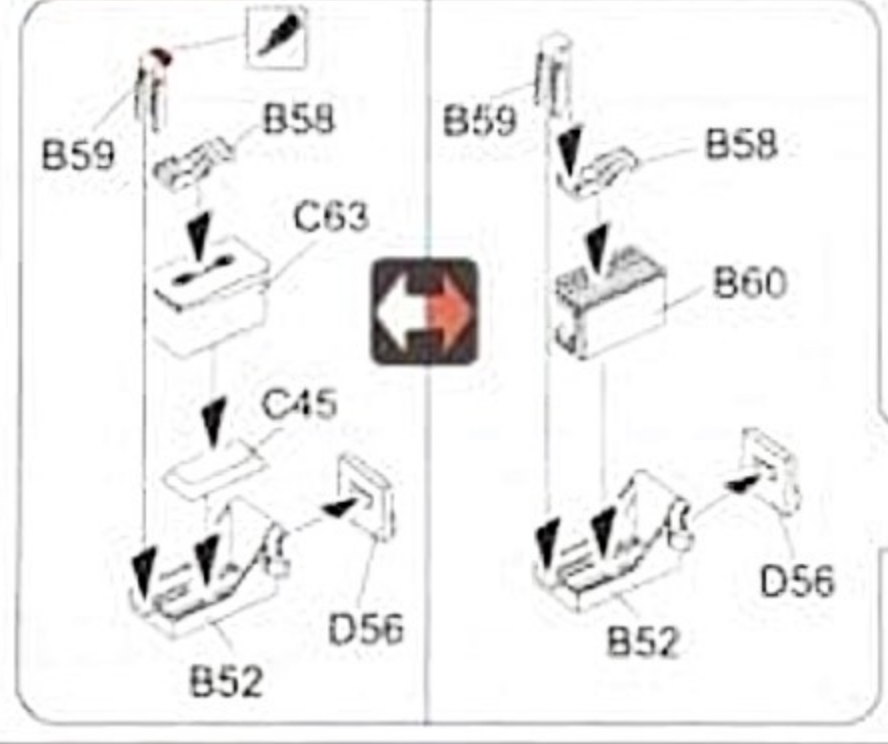
Unlocked
机枪解锁状态



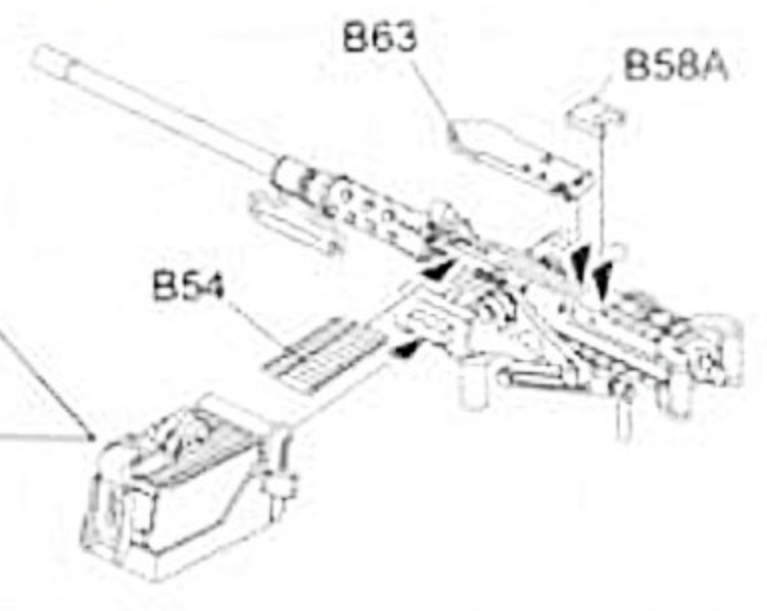
STEP 3



STEP 4

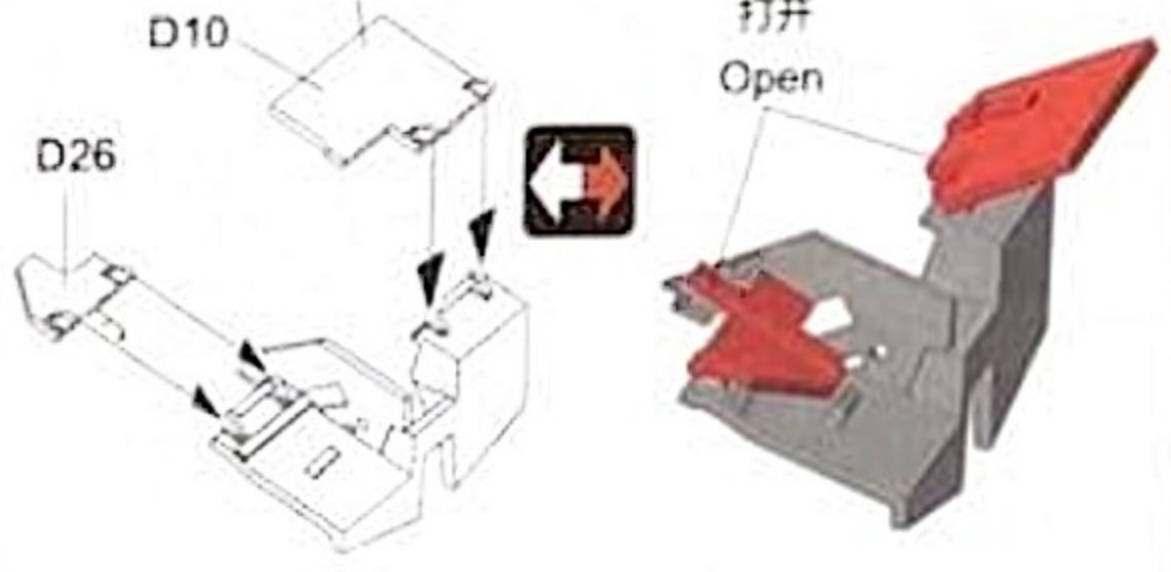


! Use only for A1TTS
仅适用于A1TTS 型号

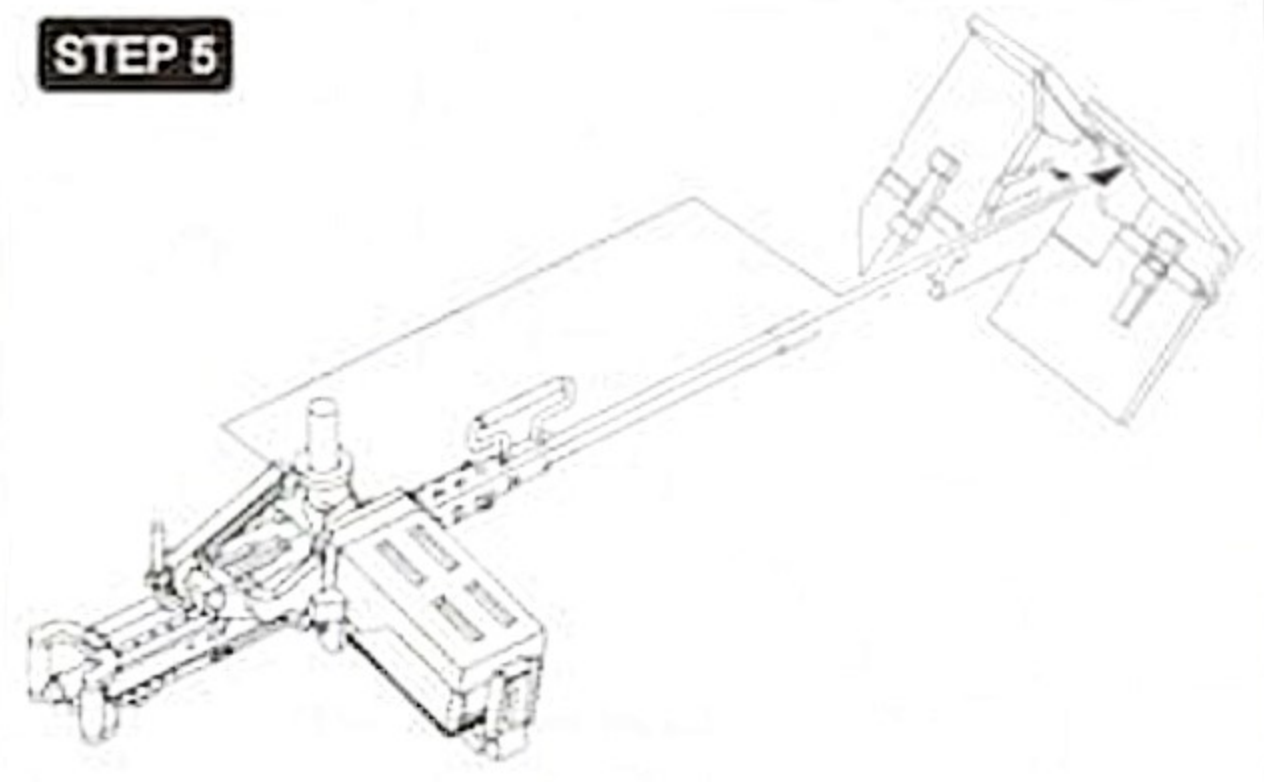


关闭
Closed

打开
Open

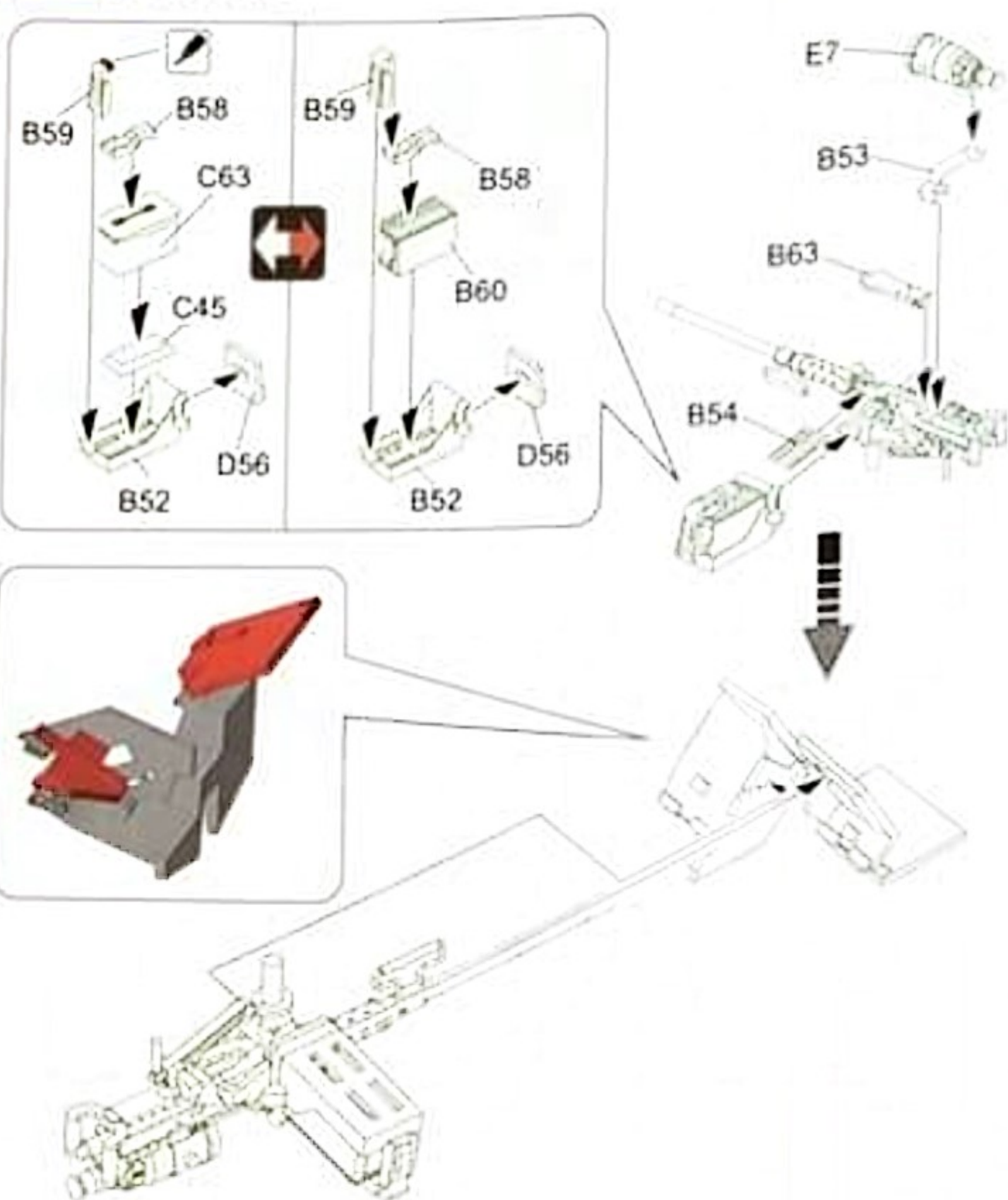


STEP 5

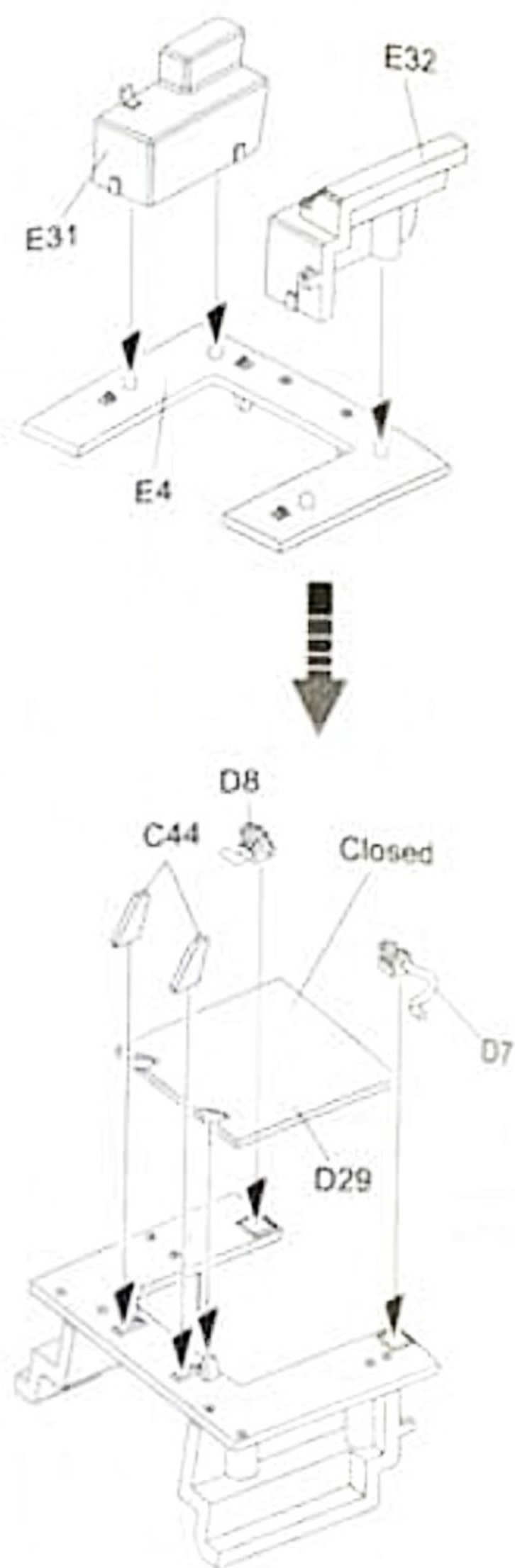




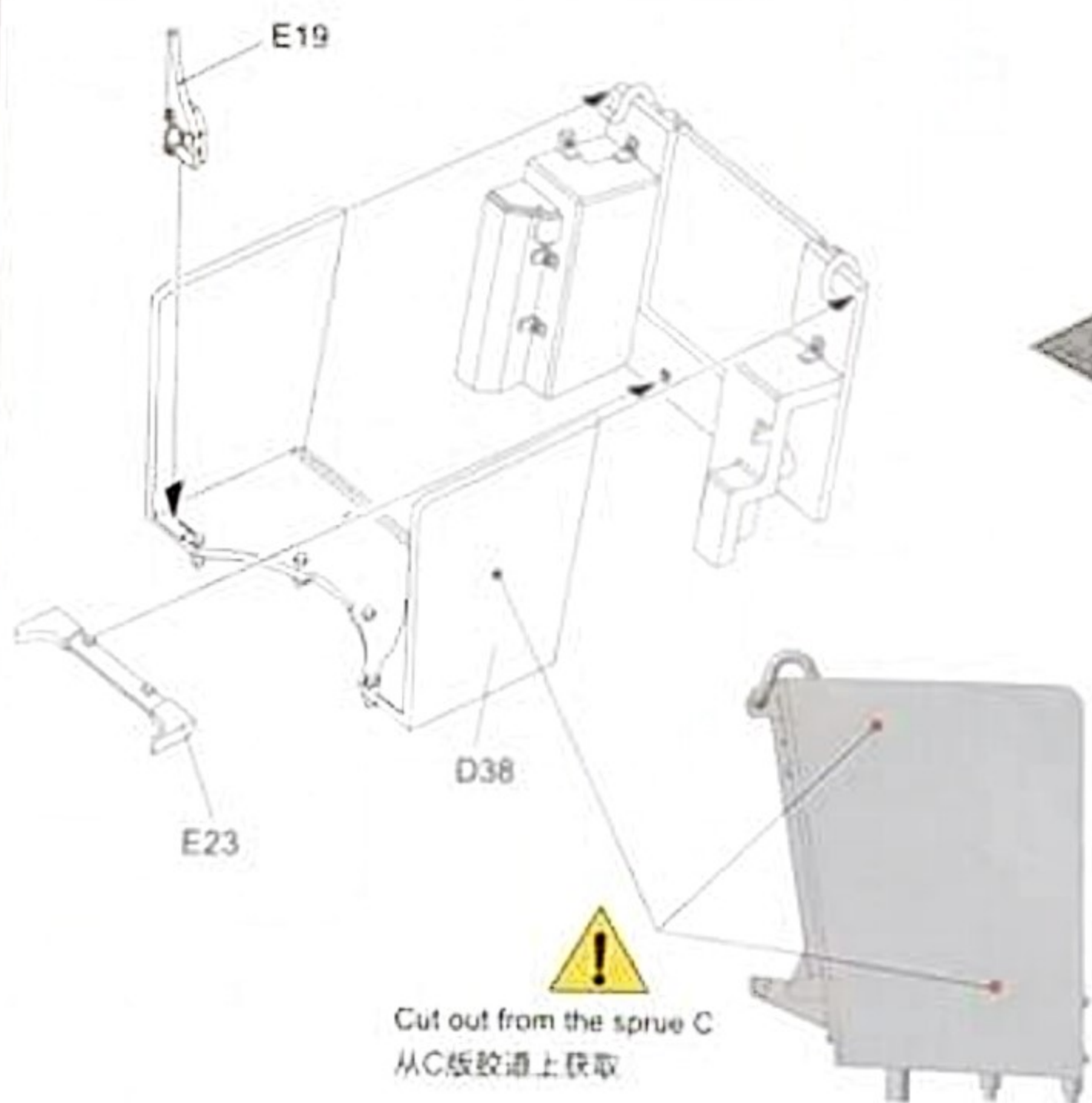
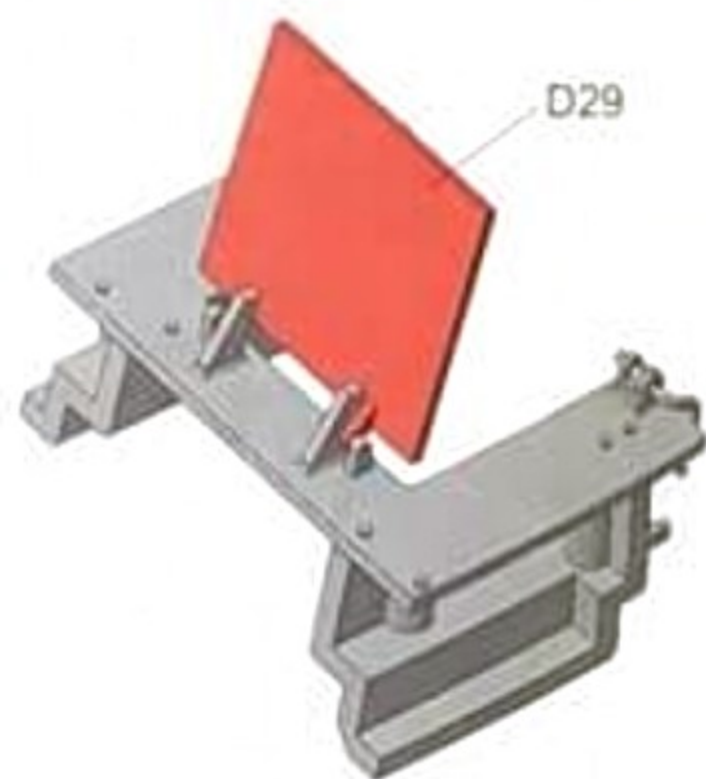
Use only for A1
A1型安装样式



STEP 7

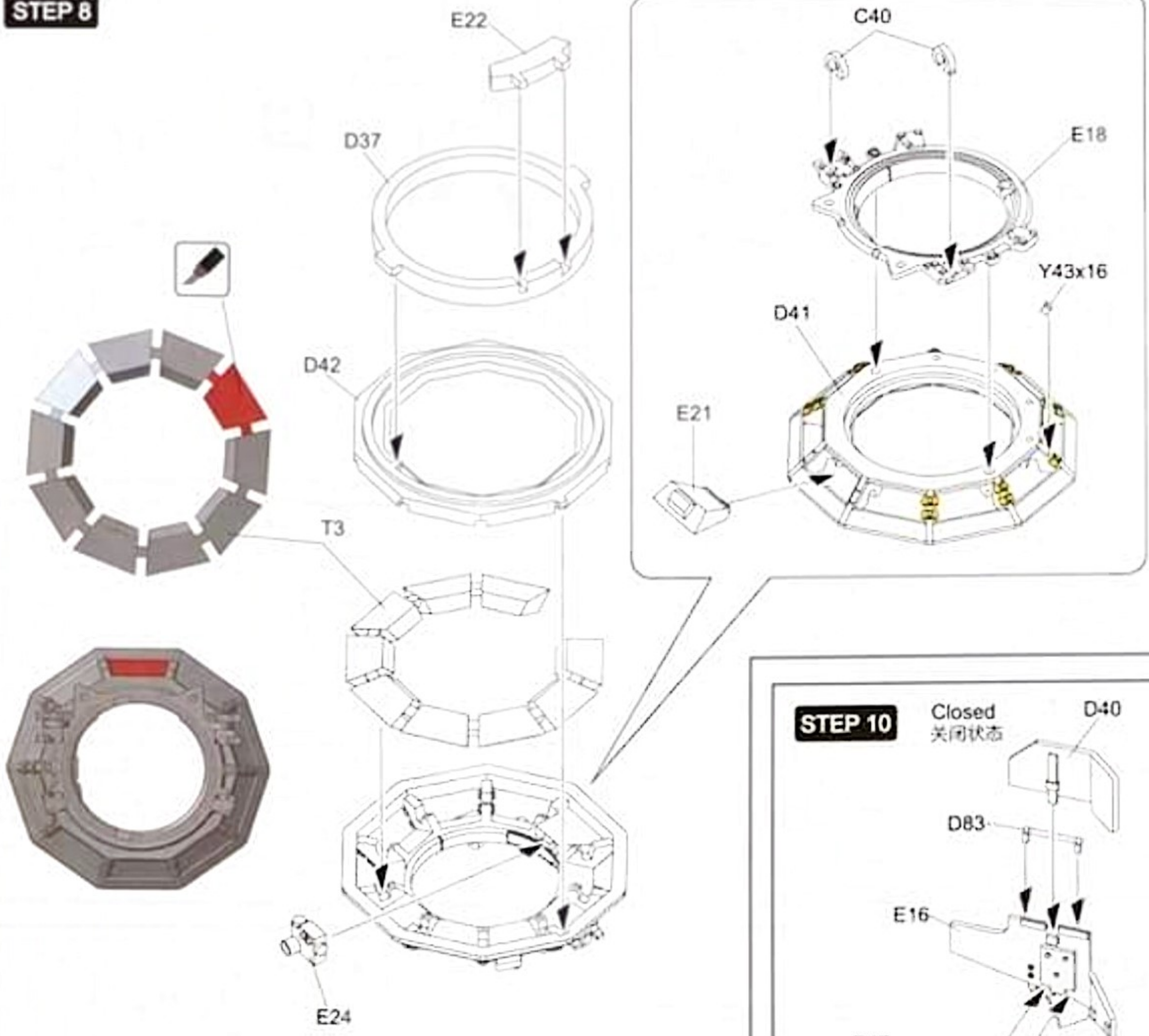


Open

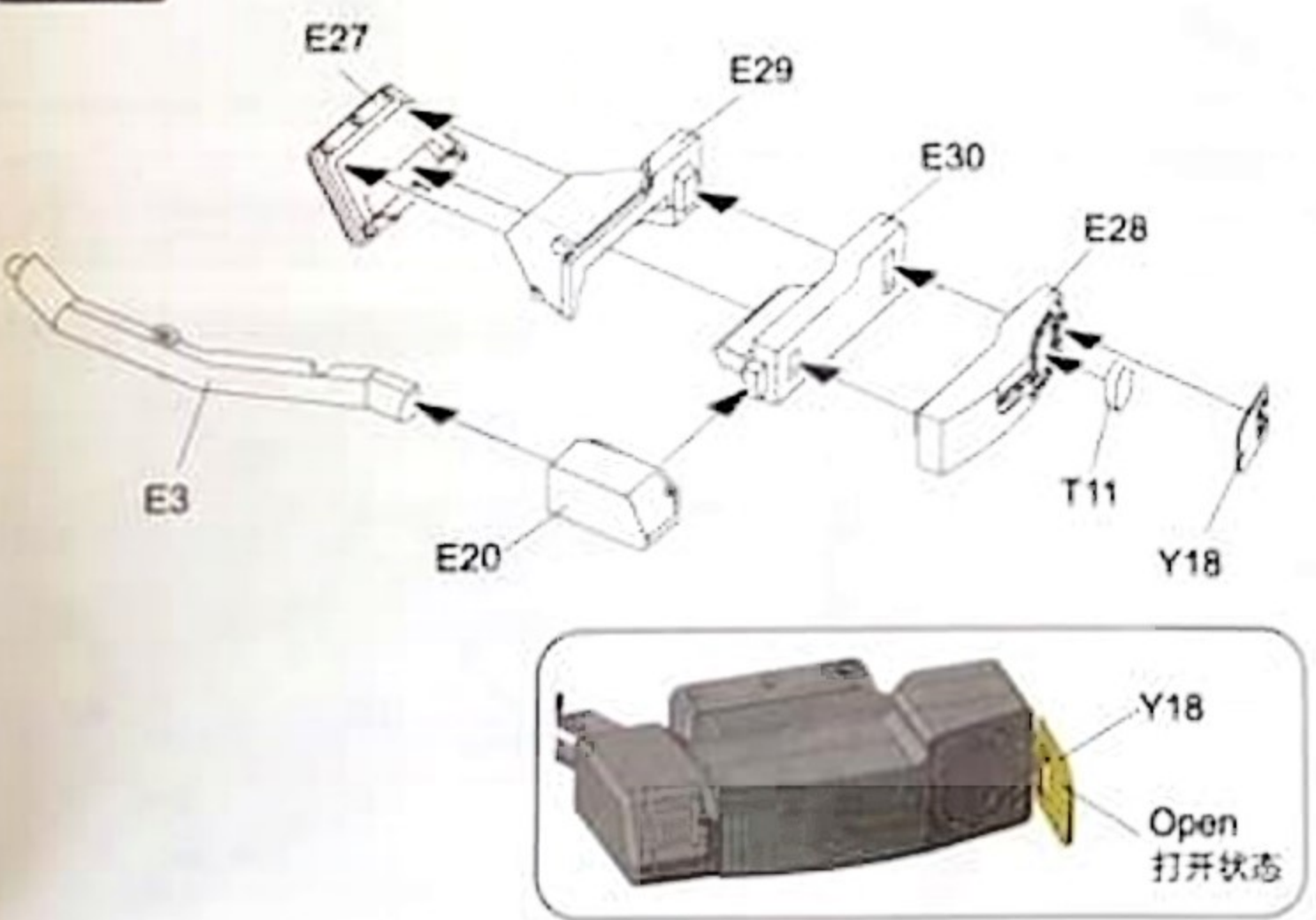


Cut out from the sprue C
从C板胶道上获取

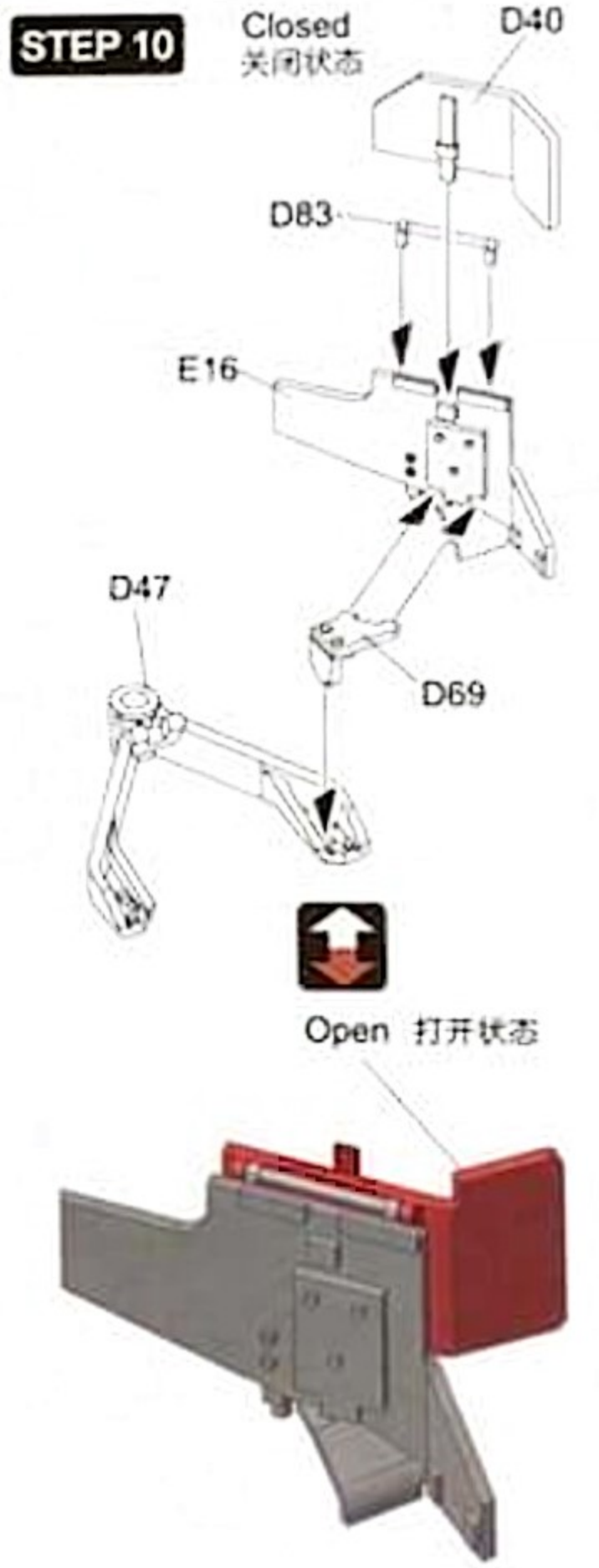
STEP 8

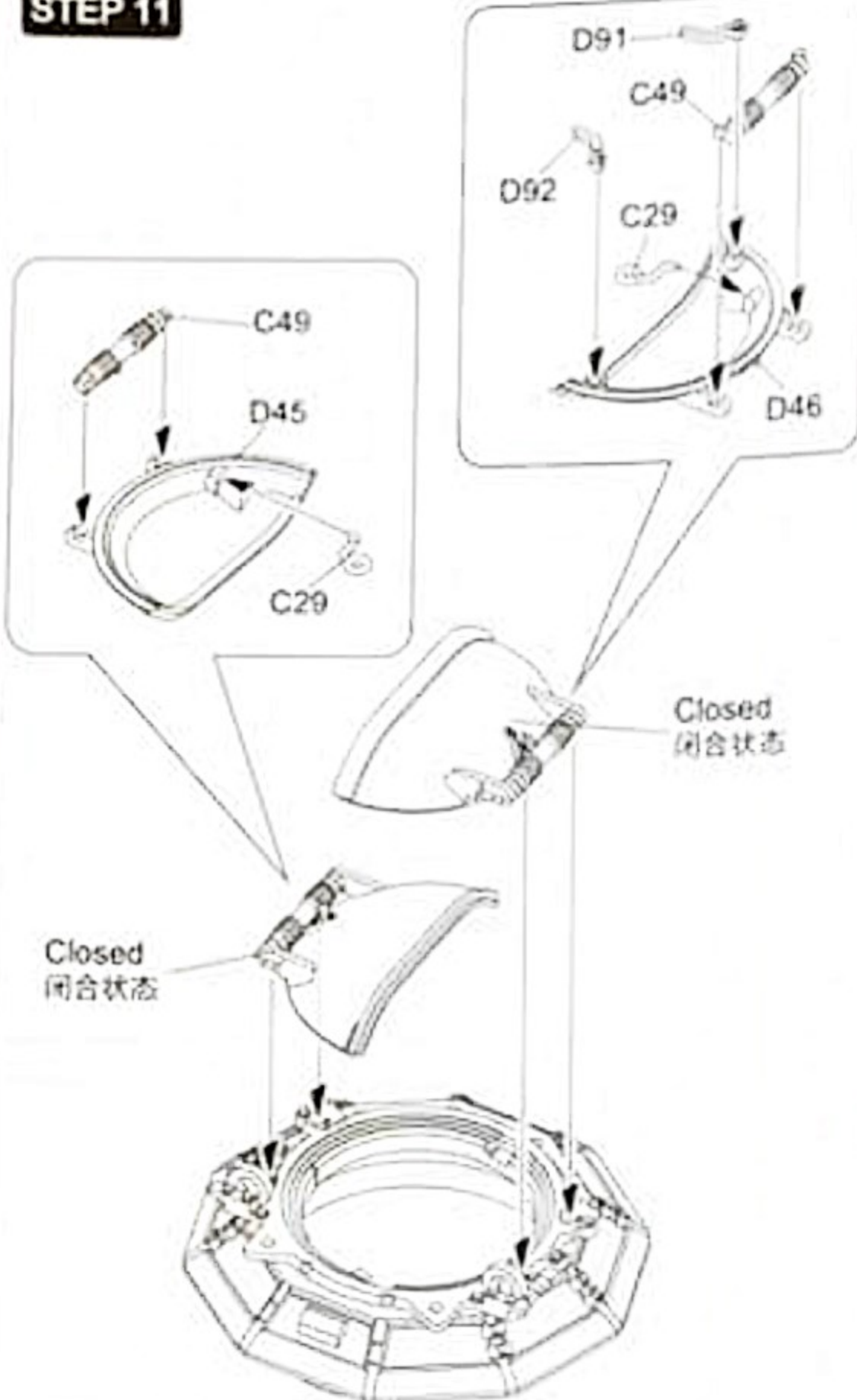
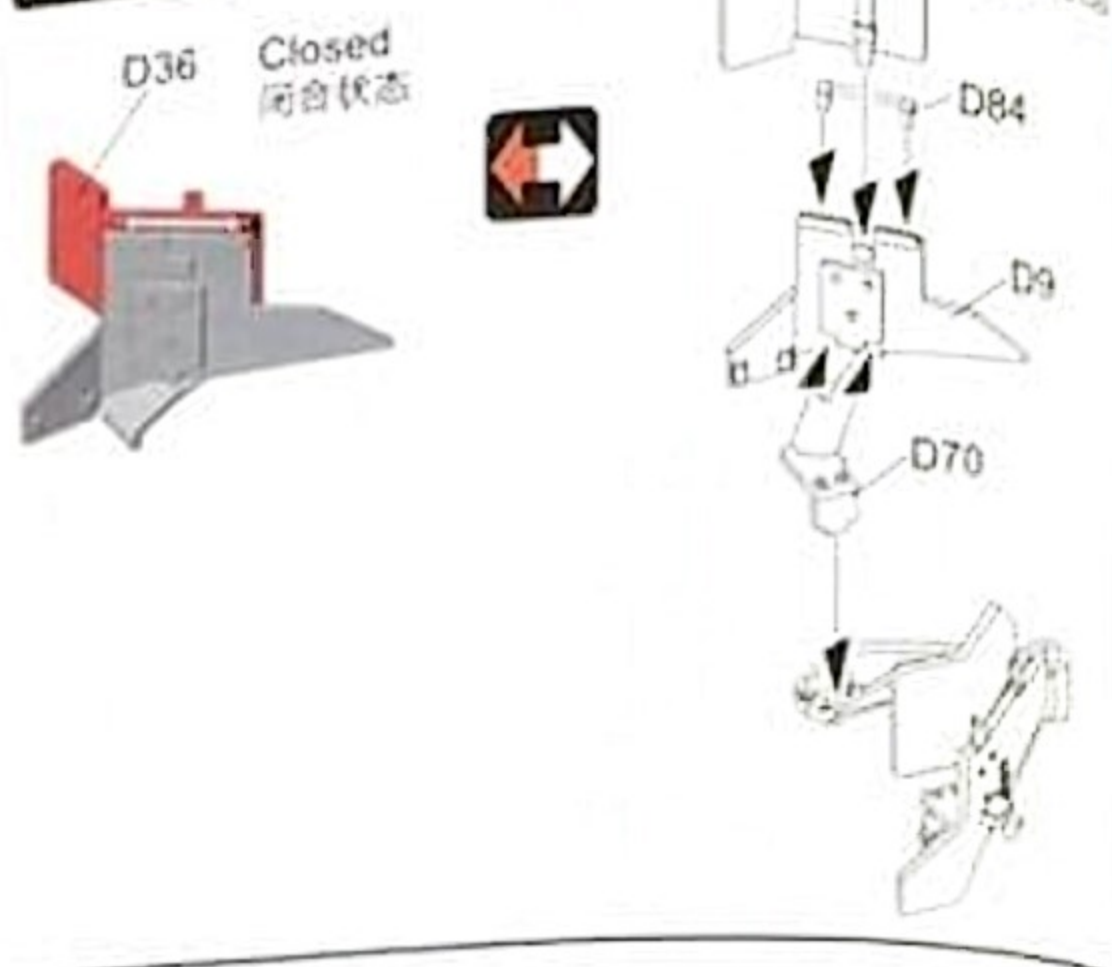
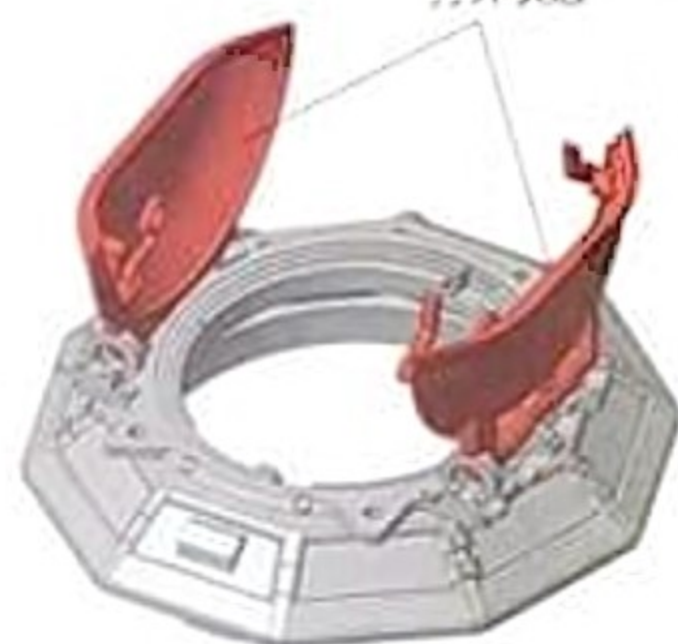
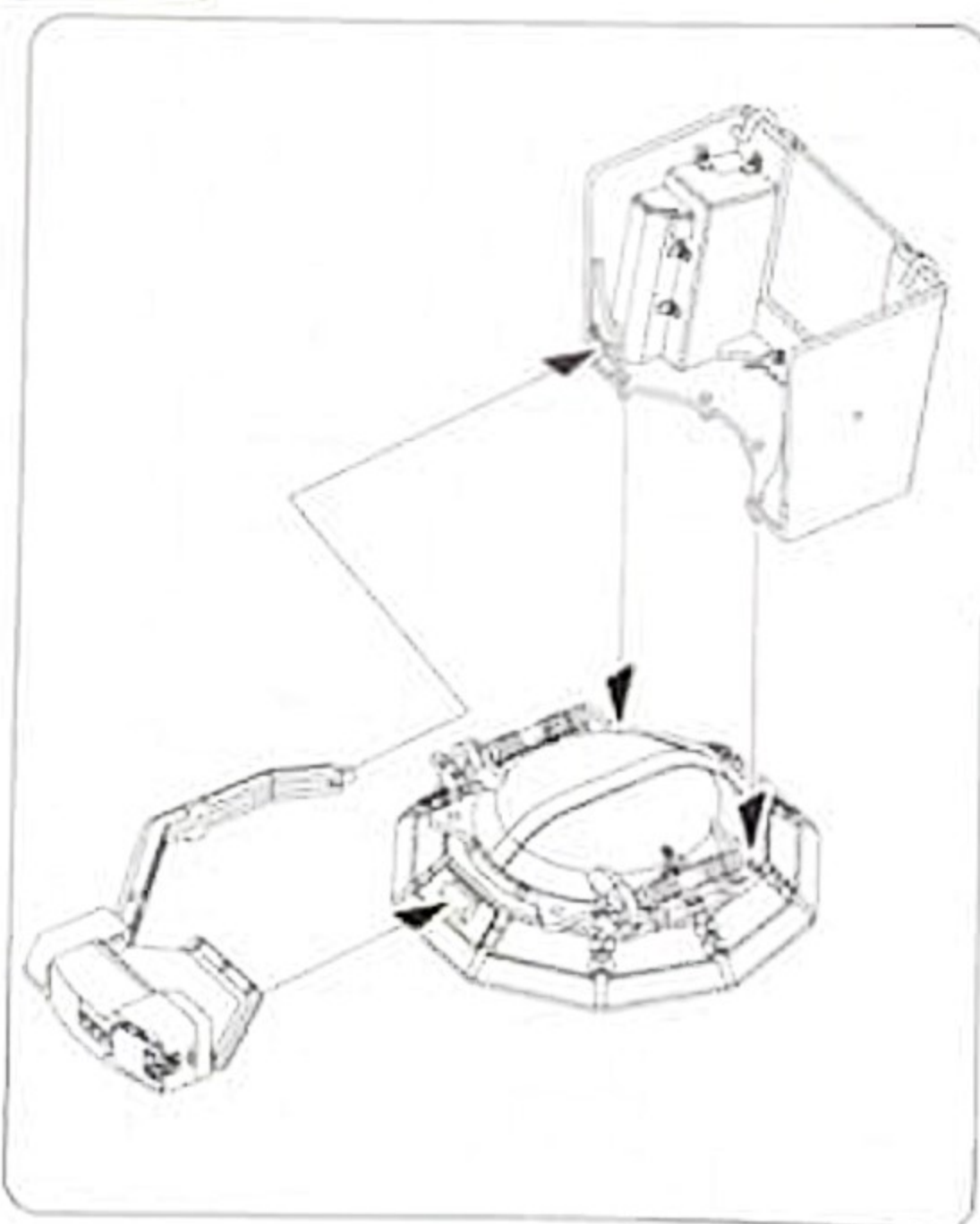


STEP 9

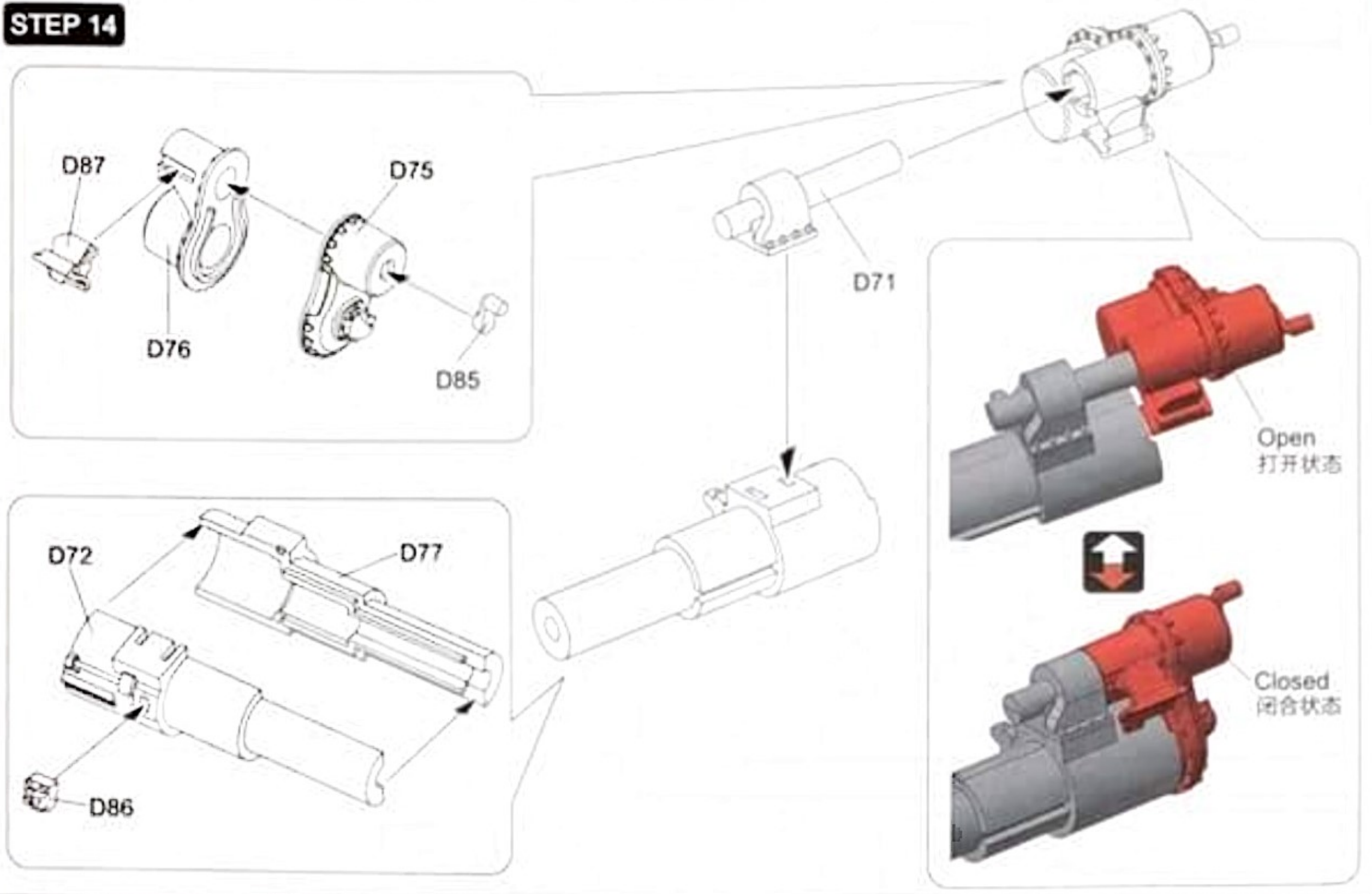


STEP 10

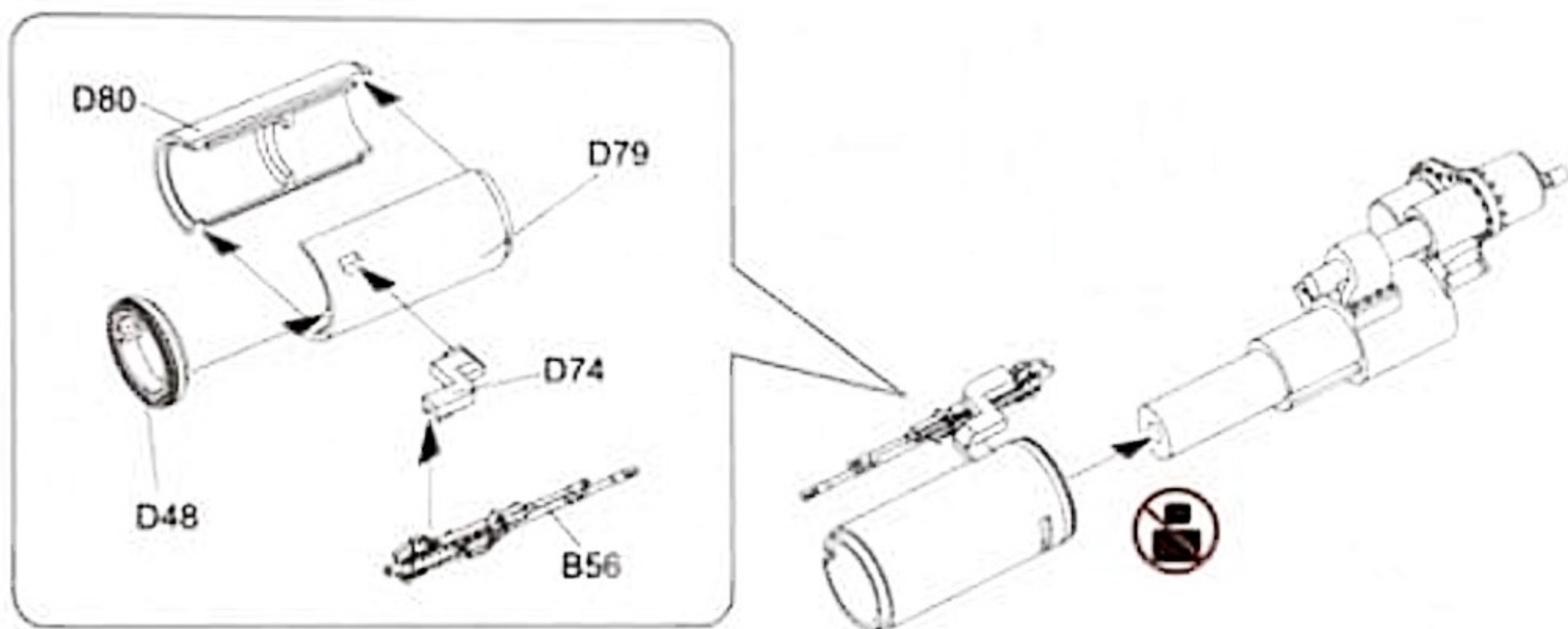


STEP 11**STEP 12**Open
打开状态**STEP 13**

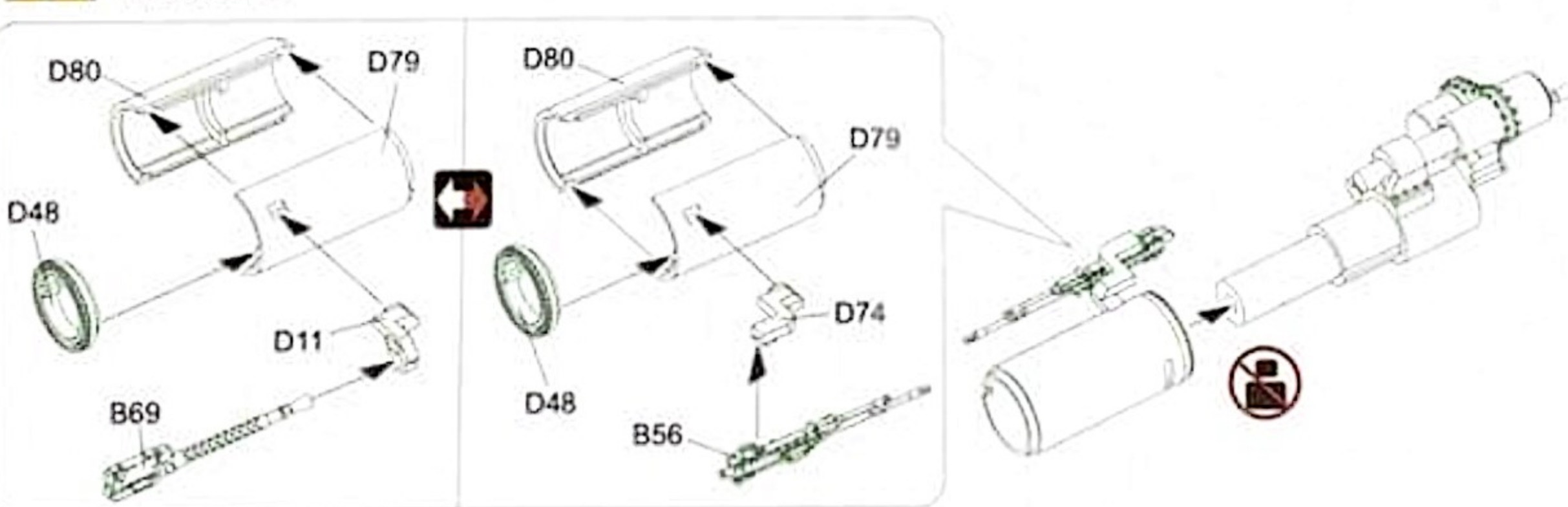
STEP 14

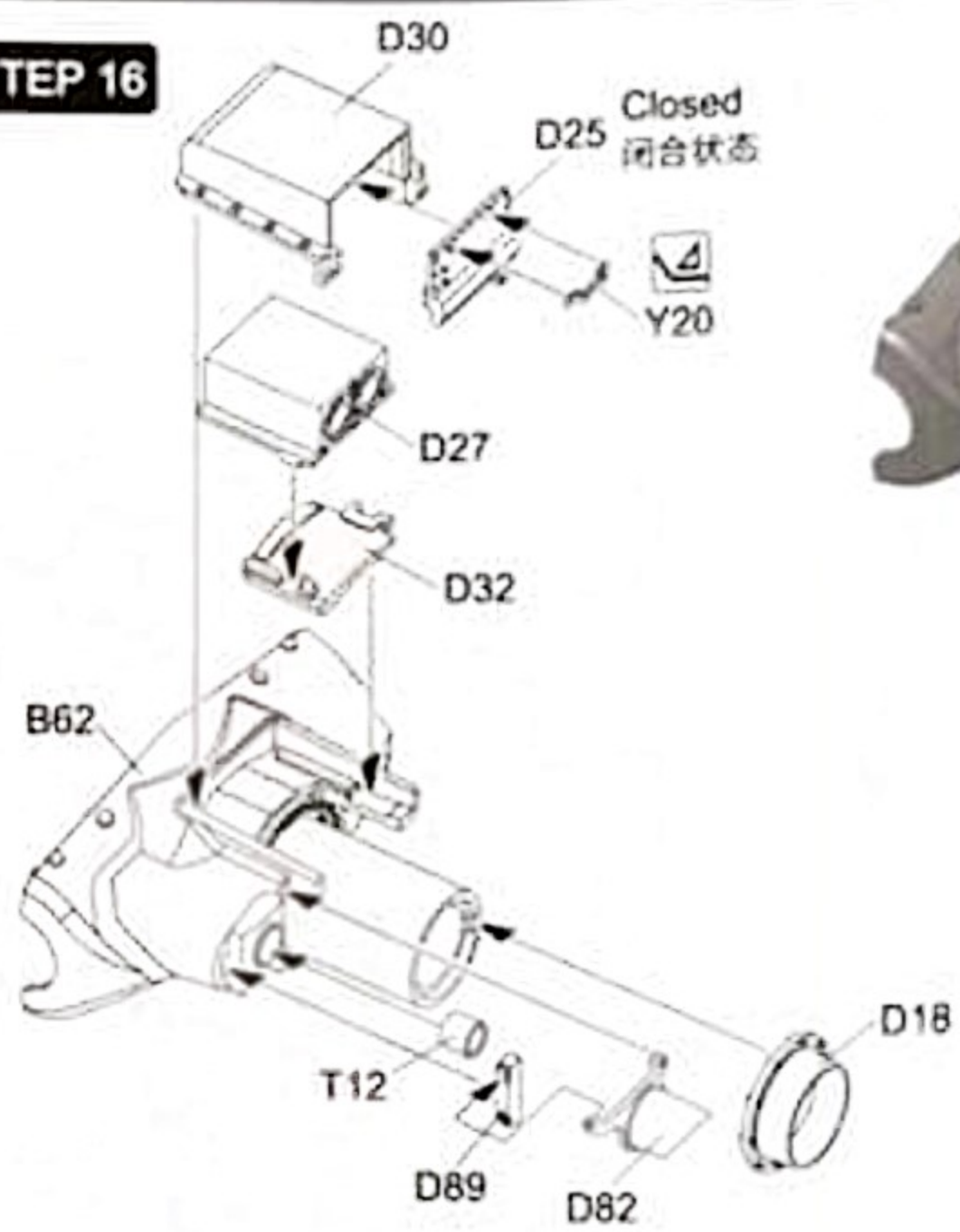
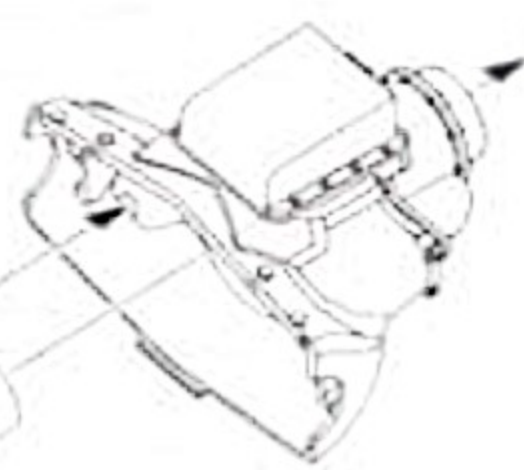
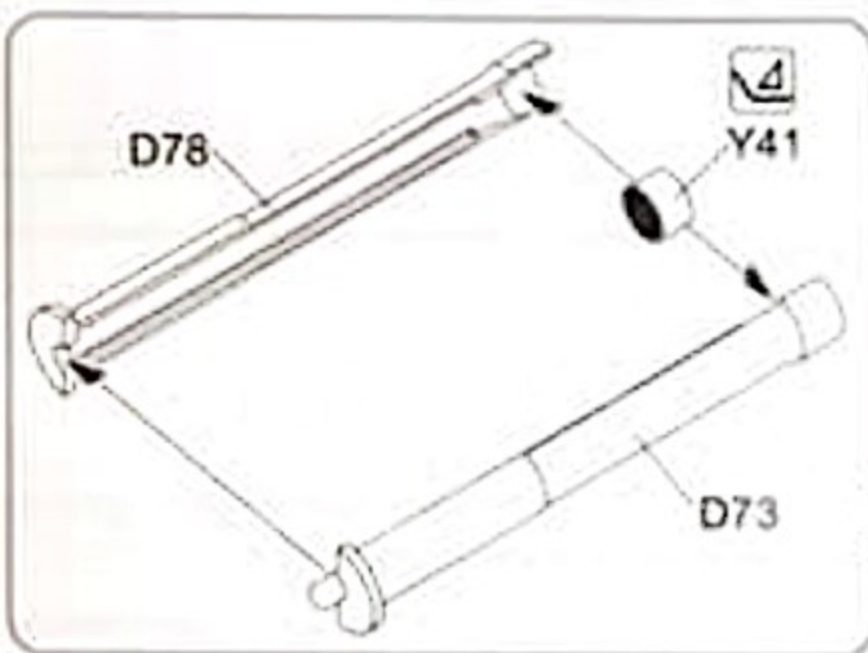
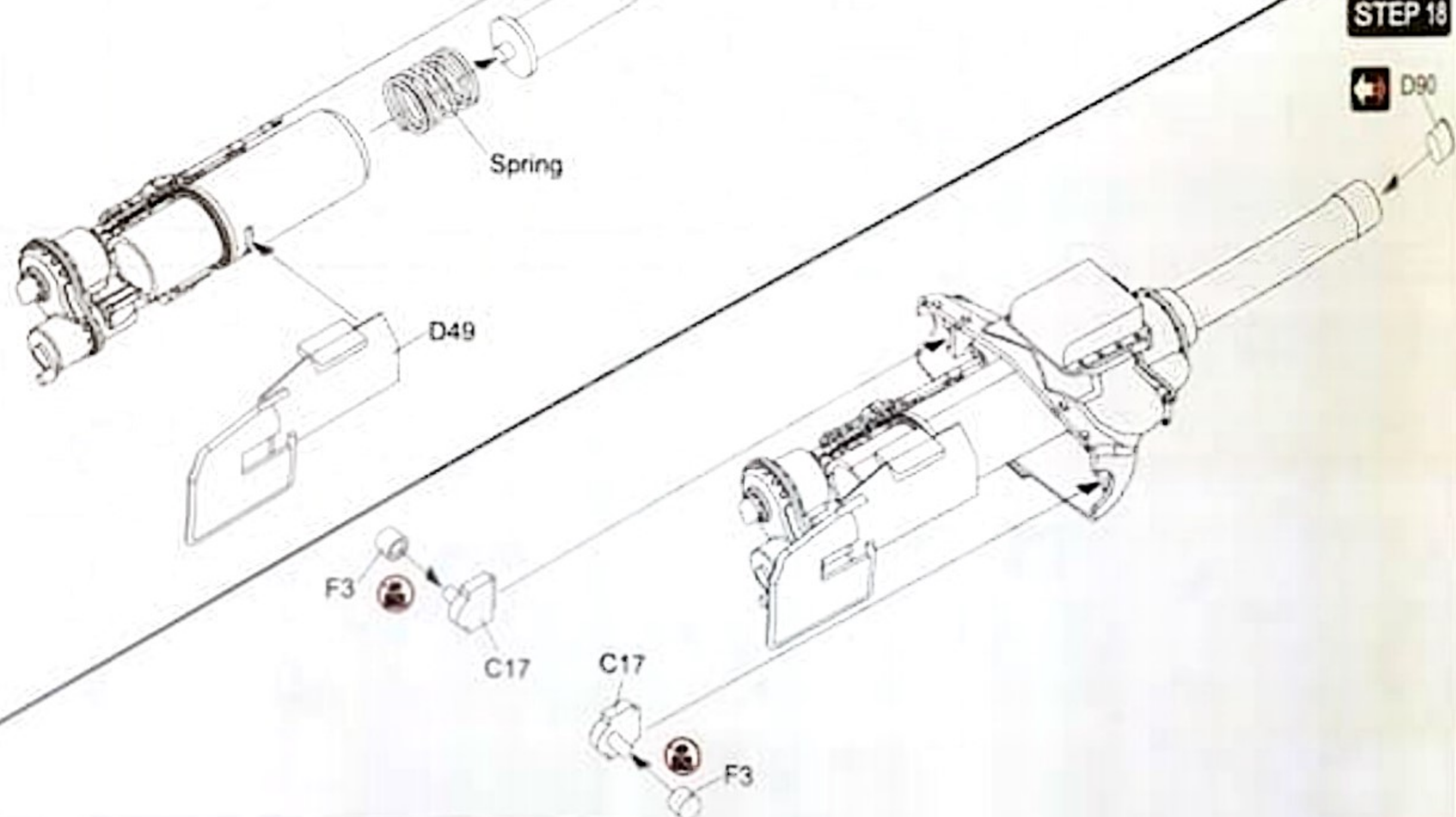
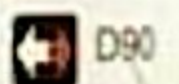


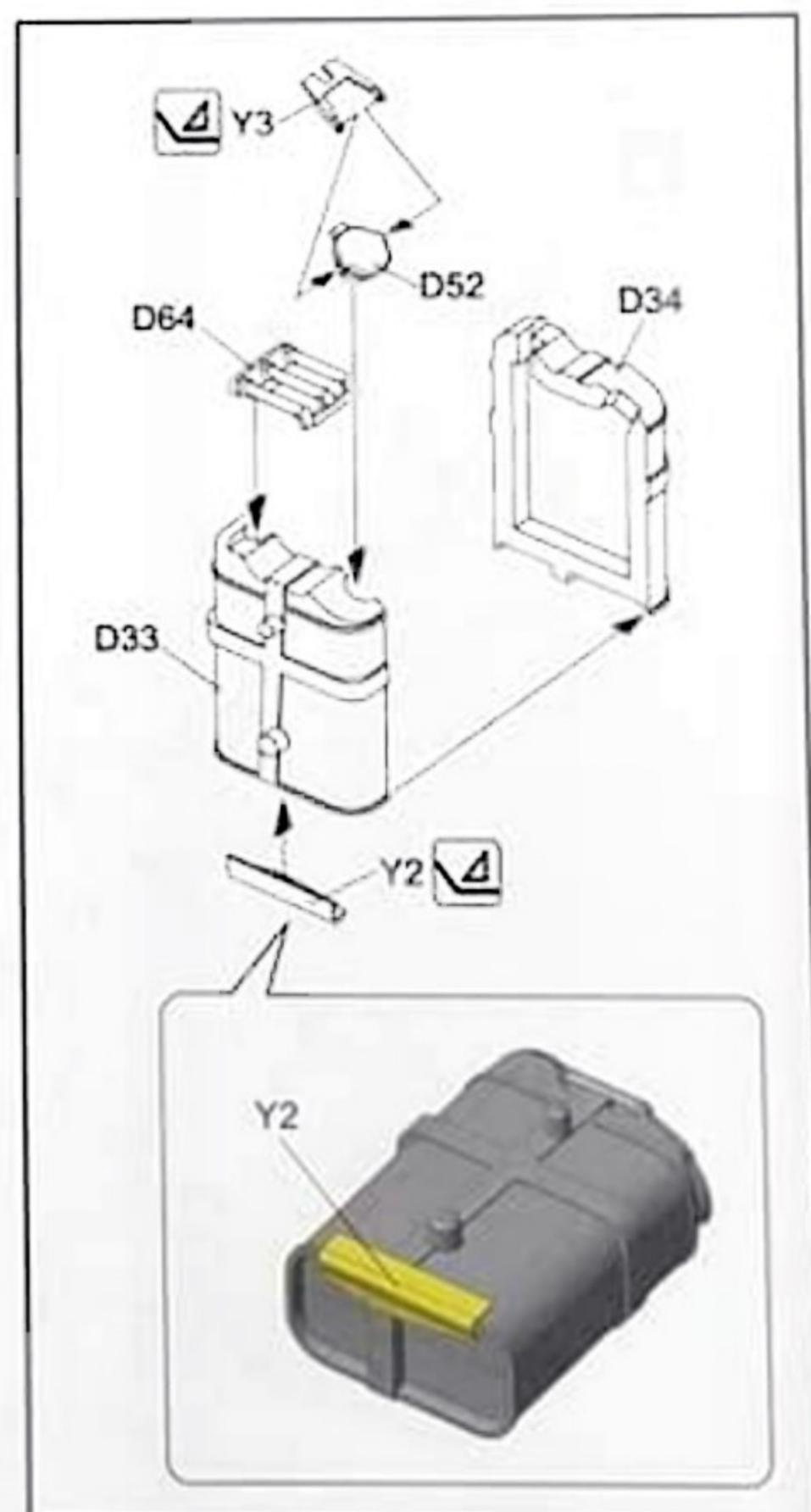
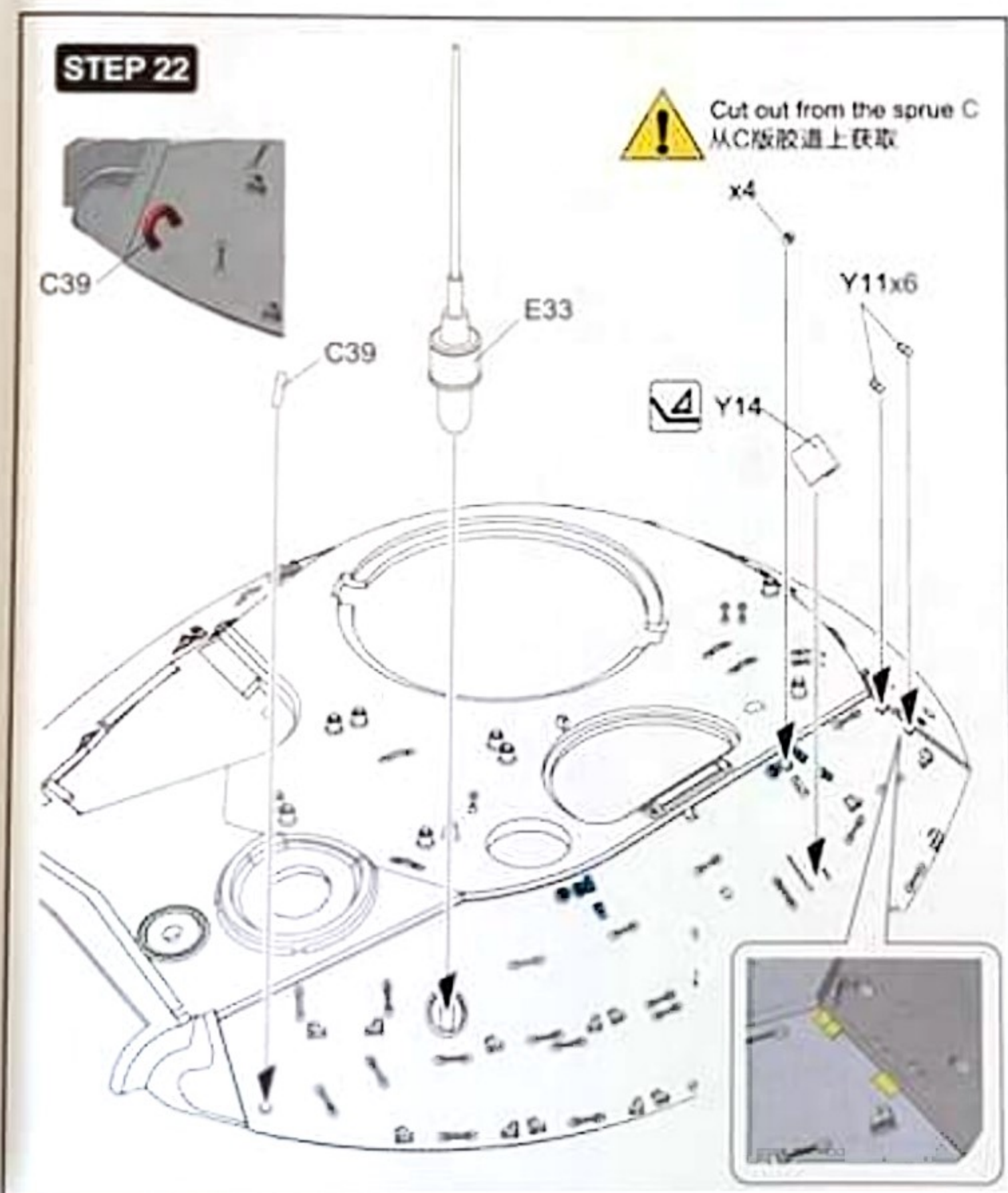
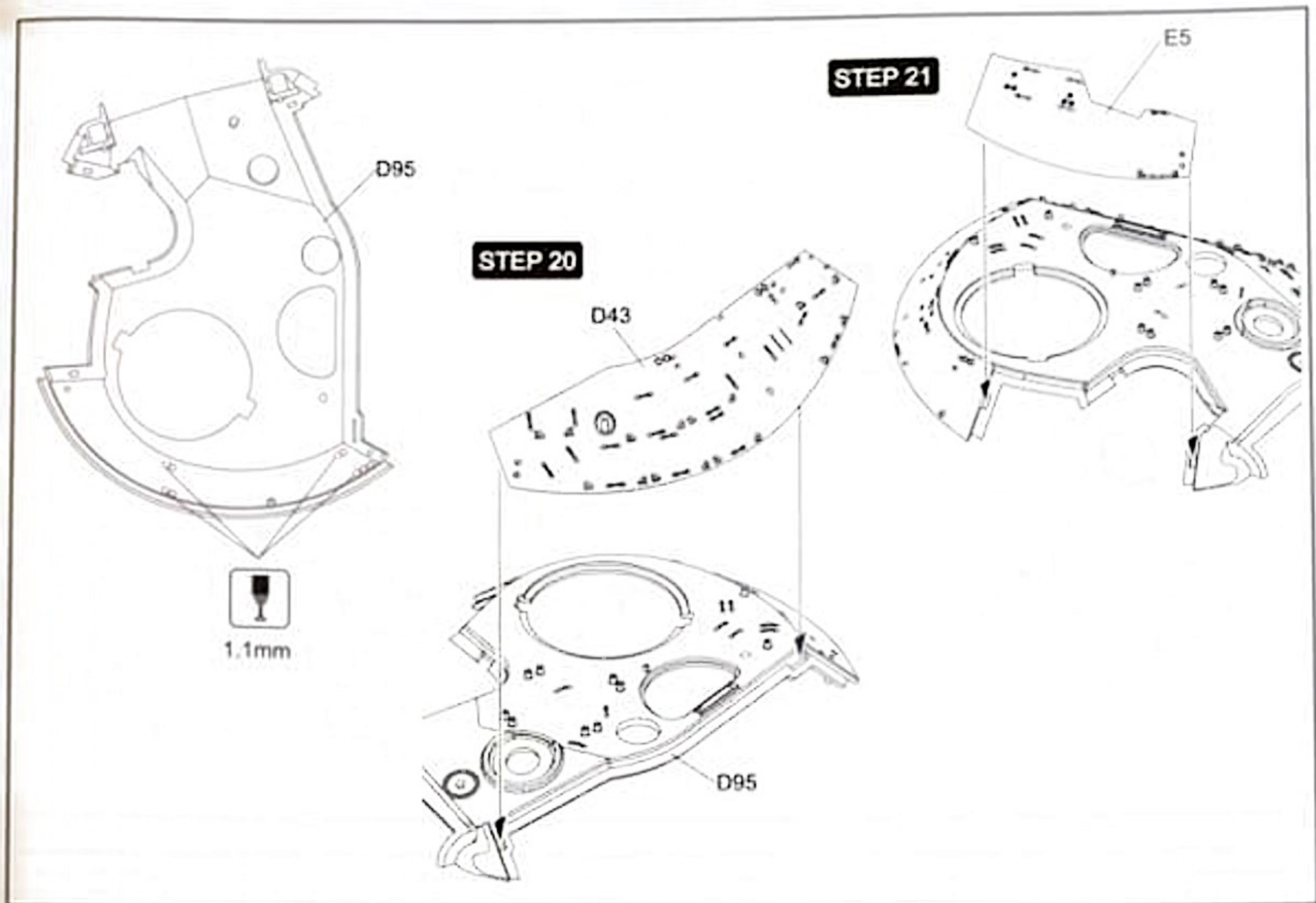
STEP 15



! Use only for A1
A1型安装样式

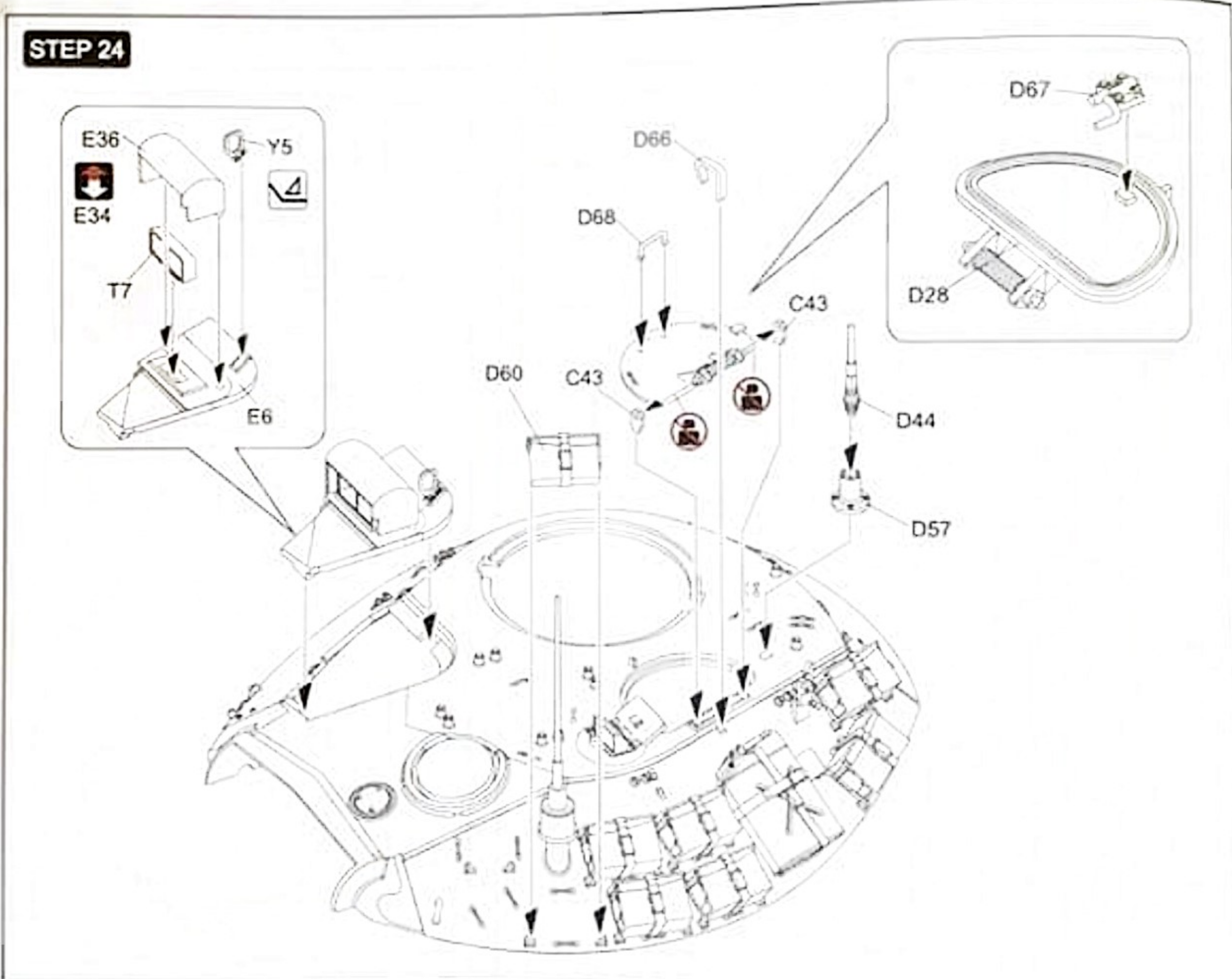


STEP 16**STEP 17****STEP 18**



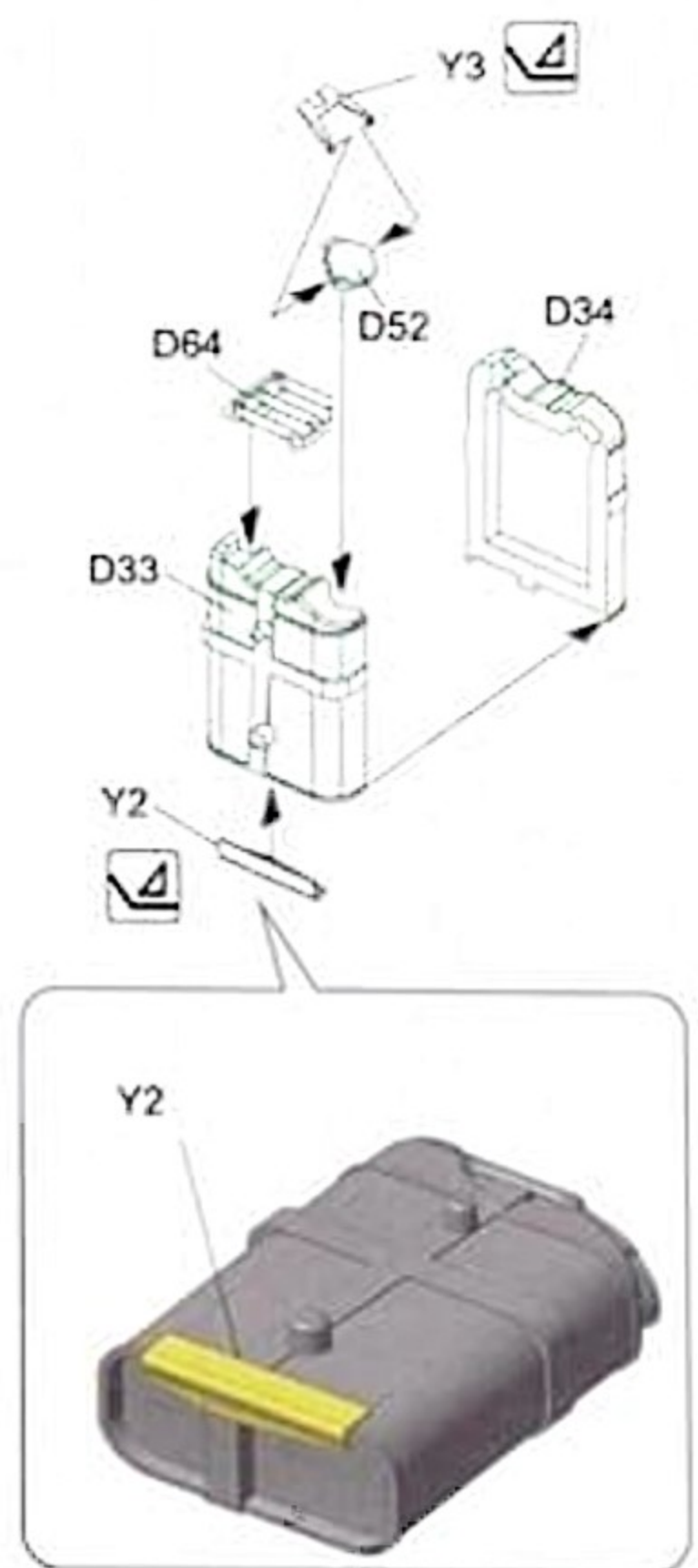
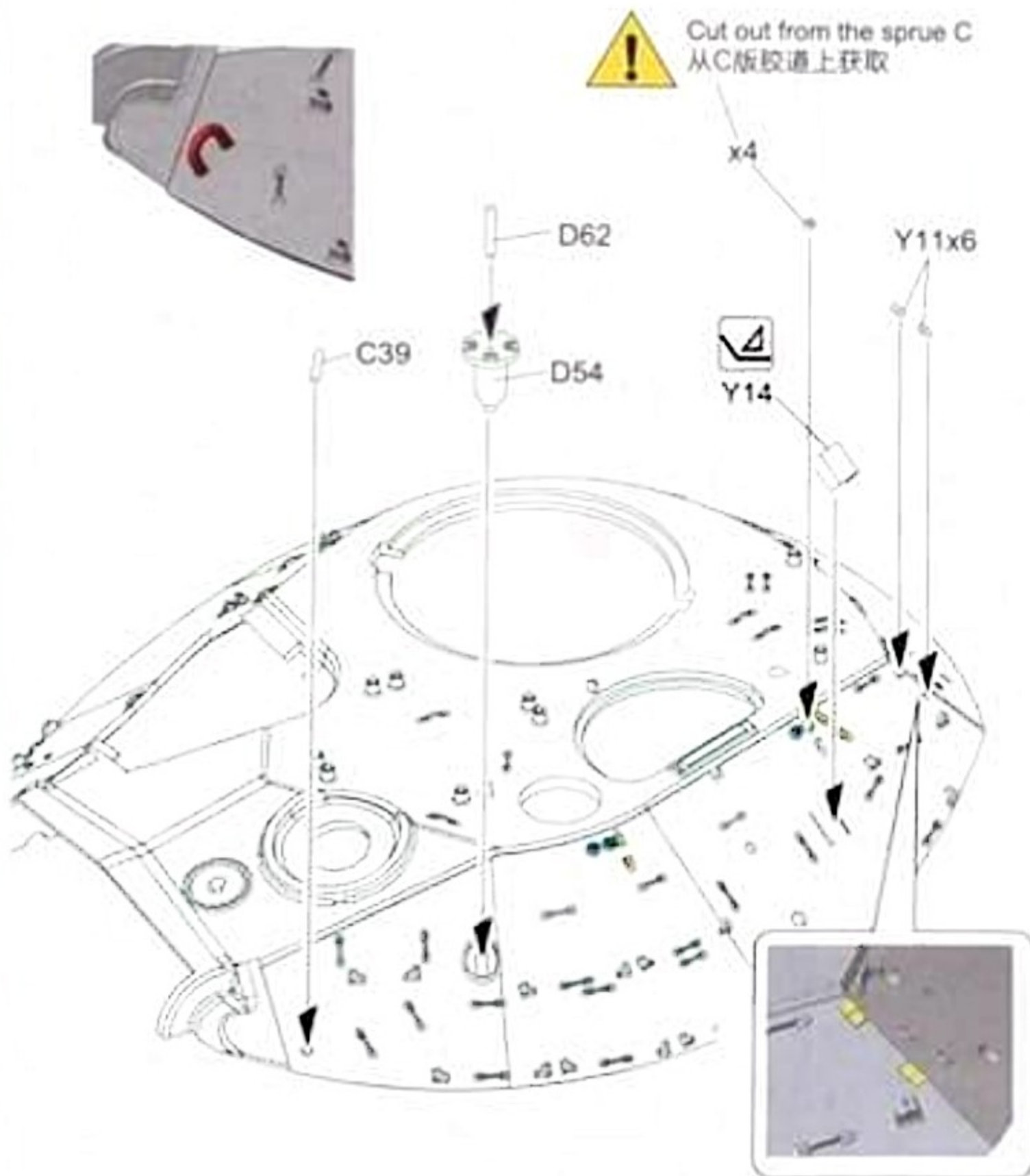
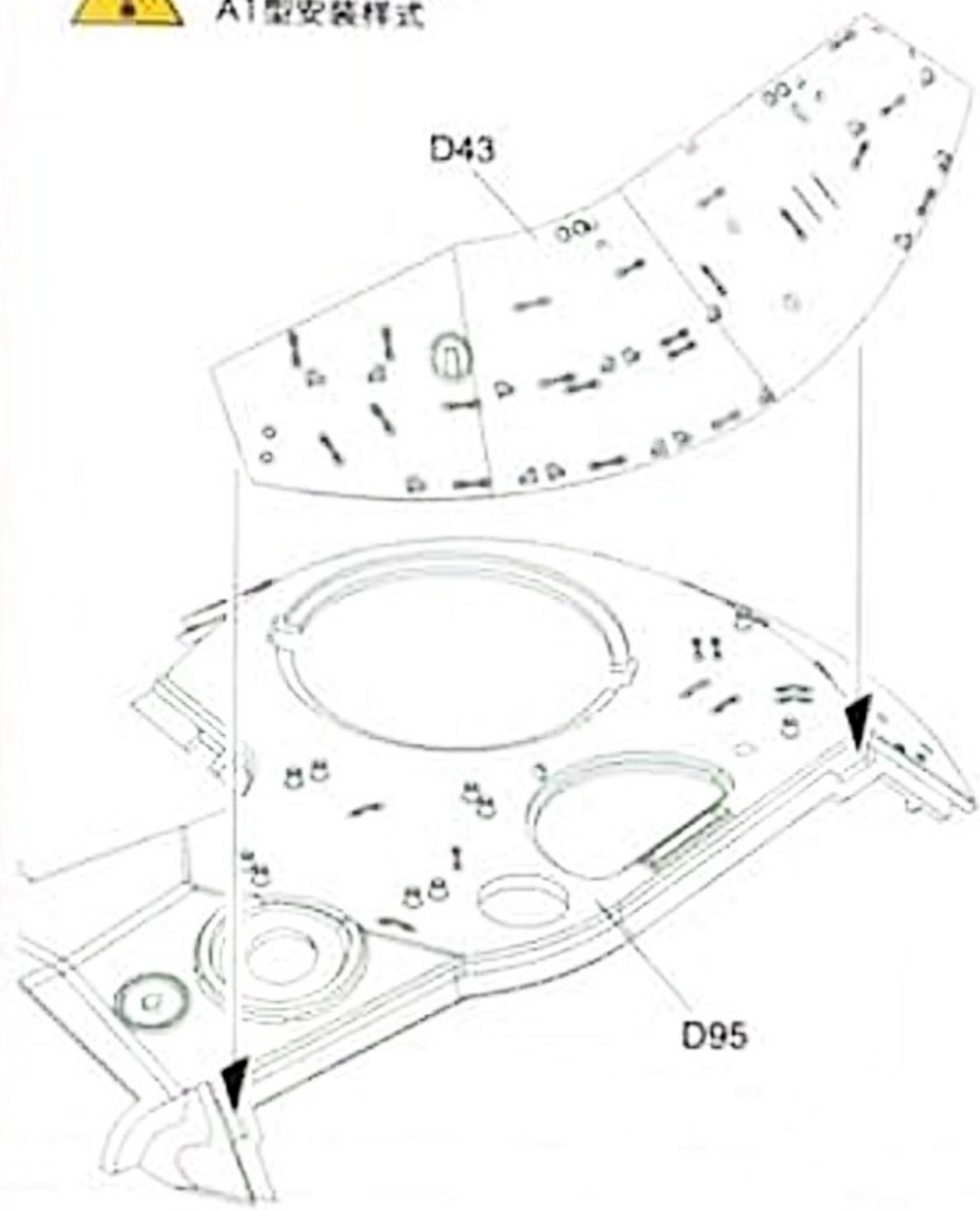


STEP 24



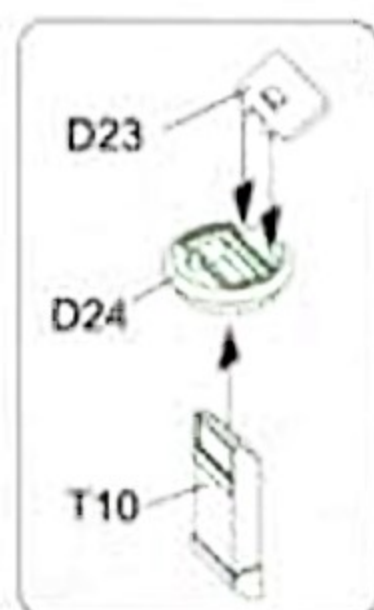


Use only for A1
A1型安装样式





Use only for A1
A1型安装样式



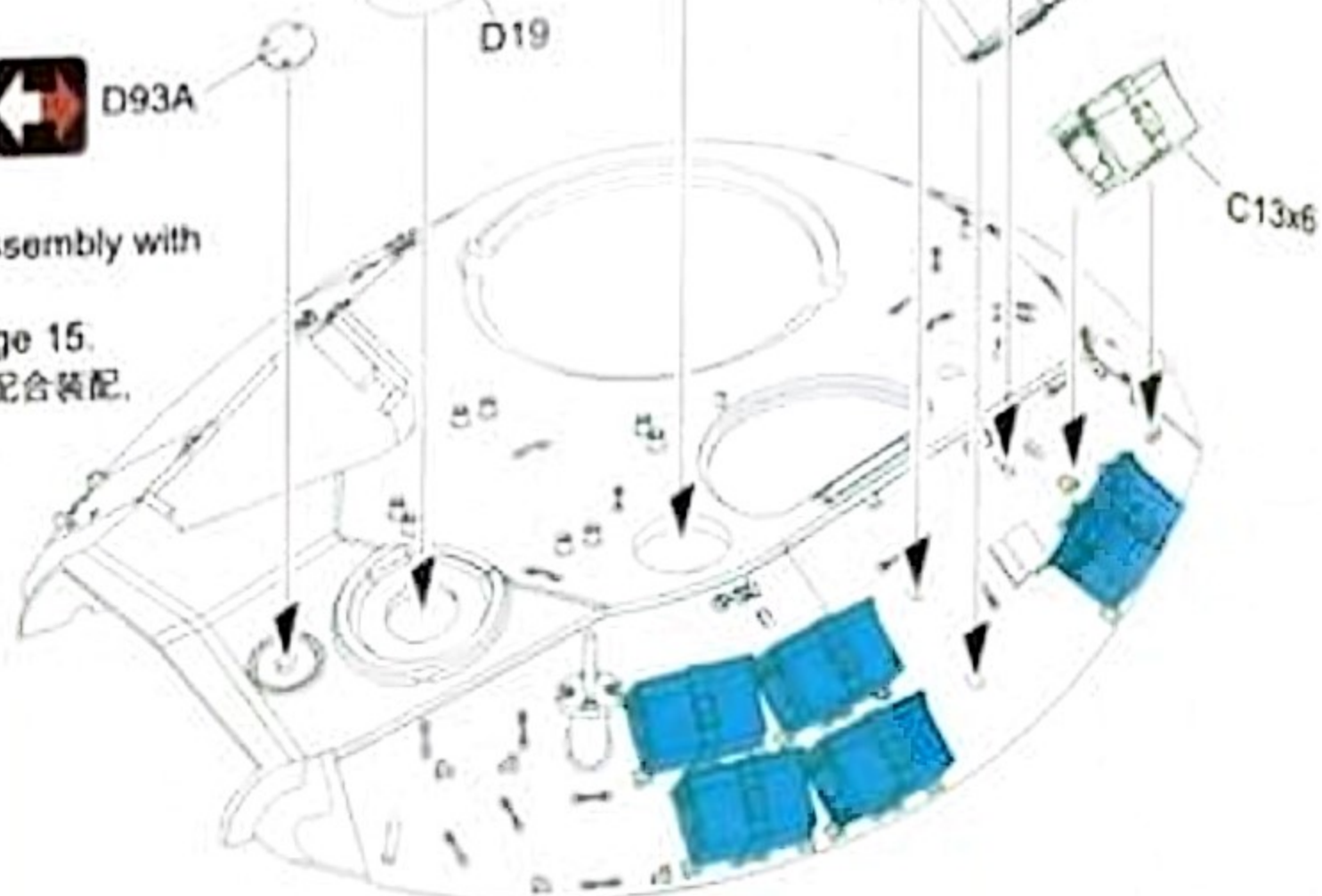
D53



D93A

Use only for assembly with
Searchlight
Please see page 15.
适用于与探照灯配合装配。
请参阅第15页。

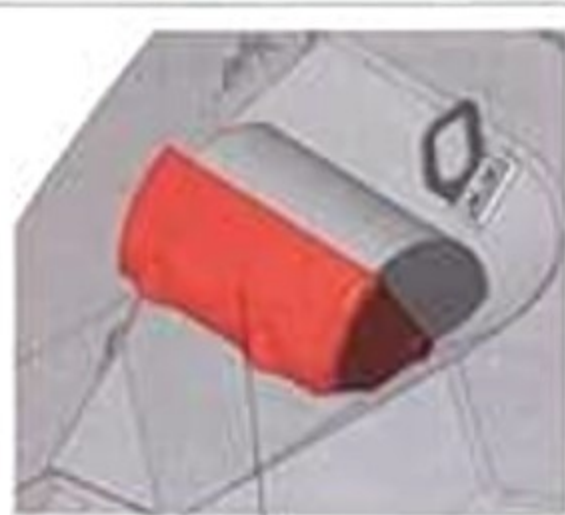
D65



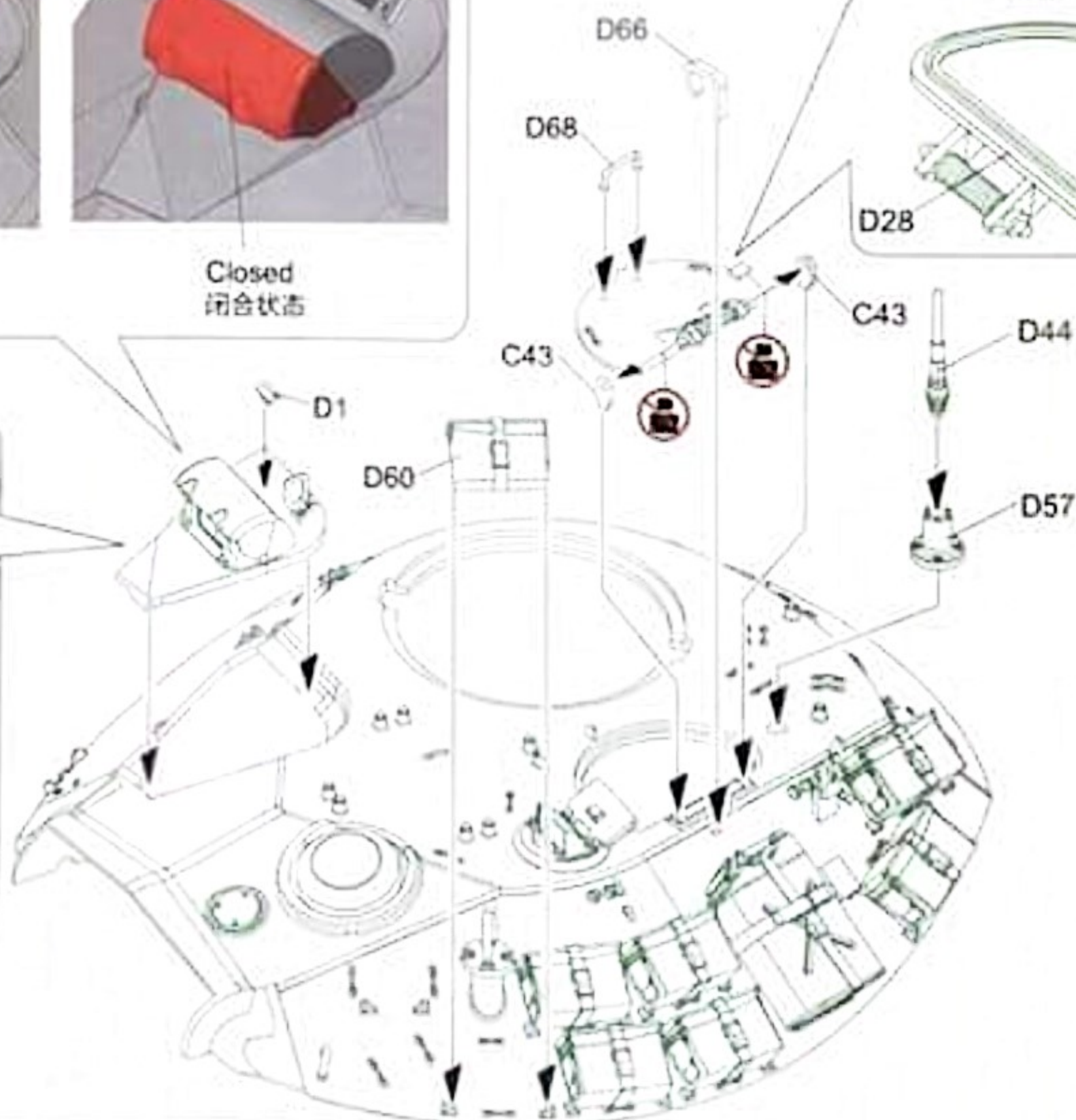
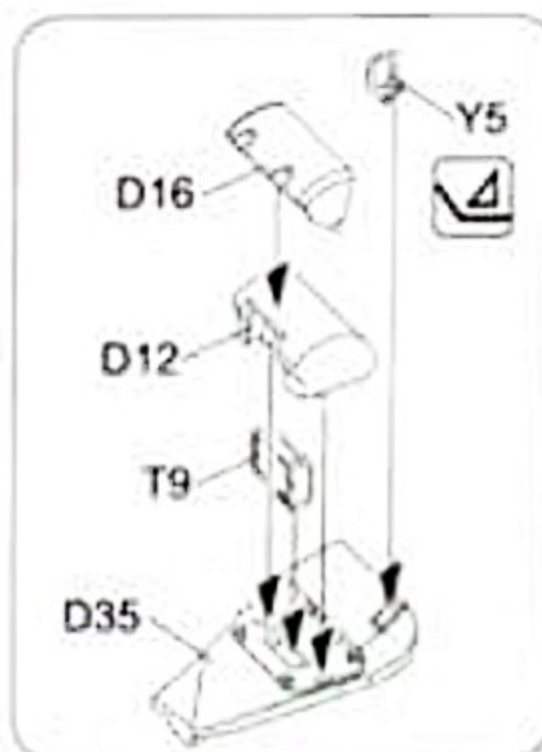
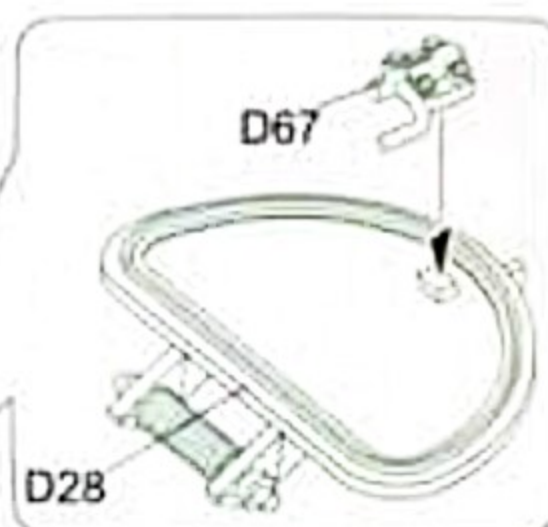
Use only for A1
A1型安装样式




Open
打开状态

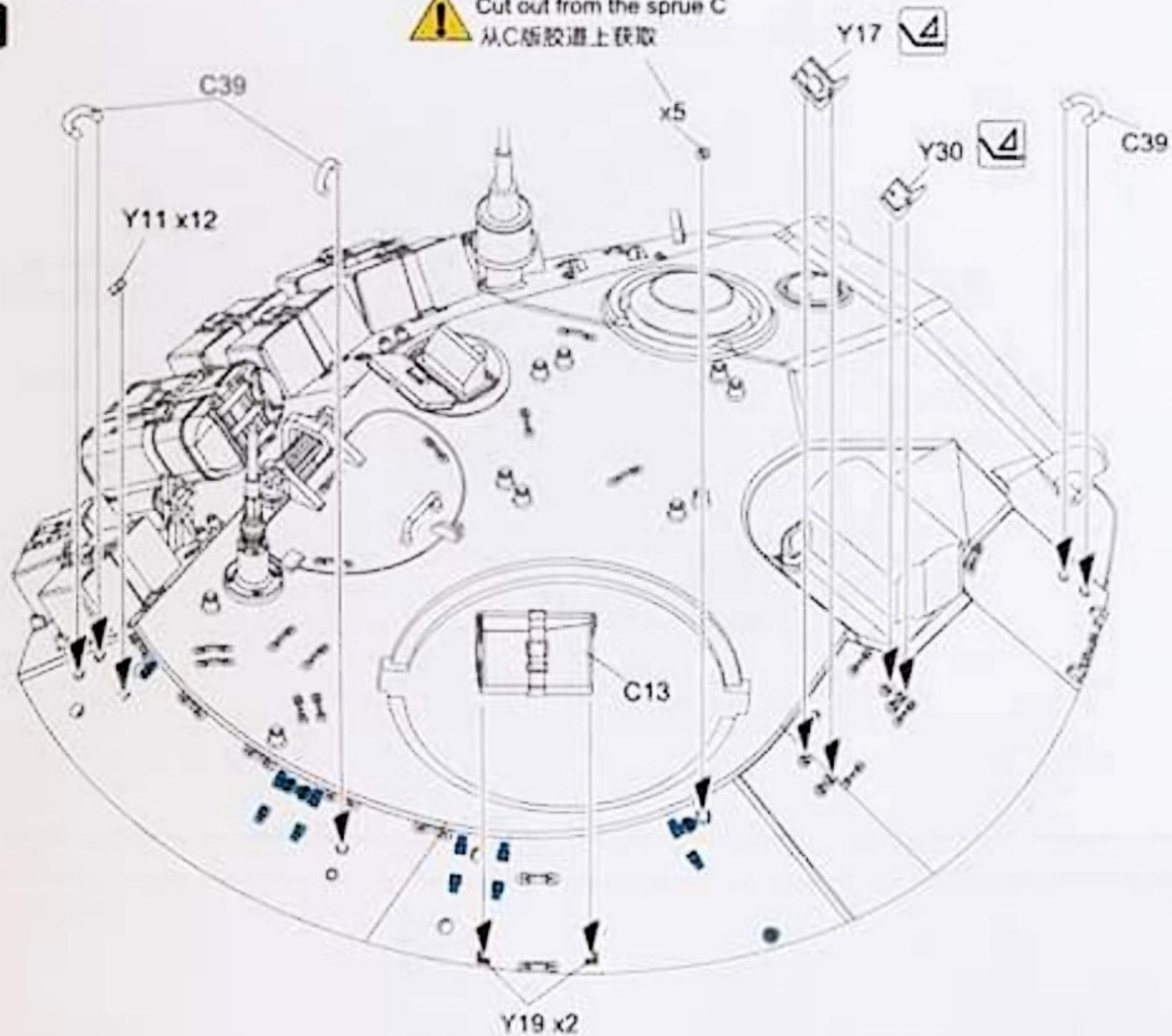


Closed
闭合状态

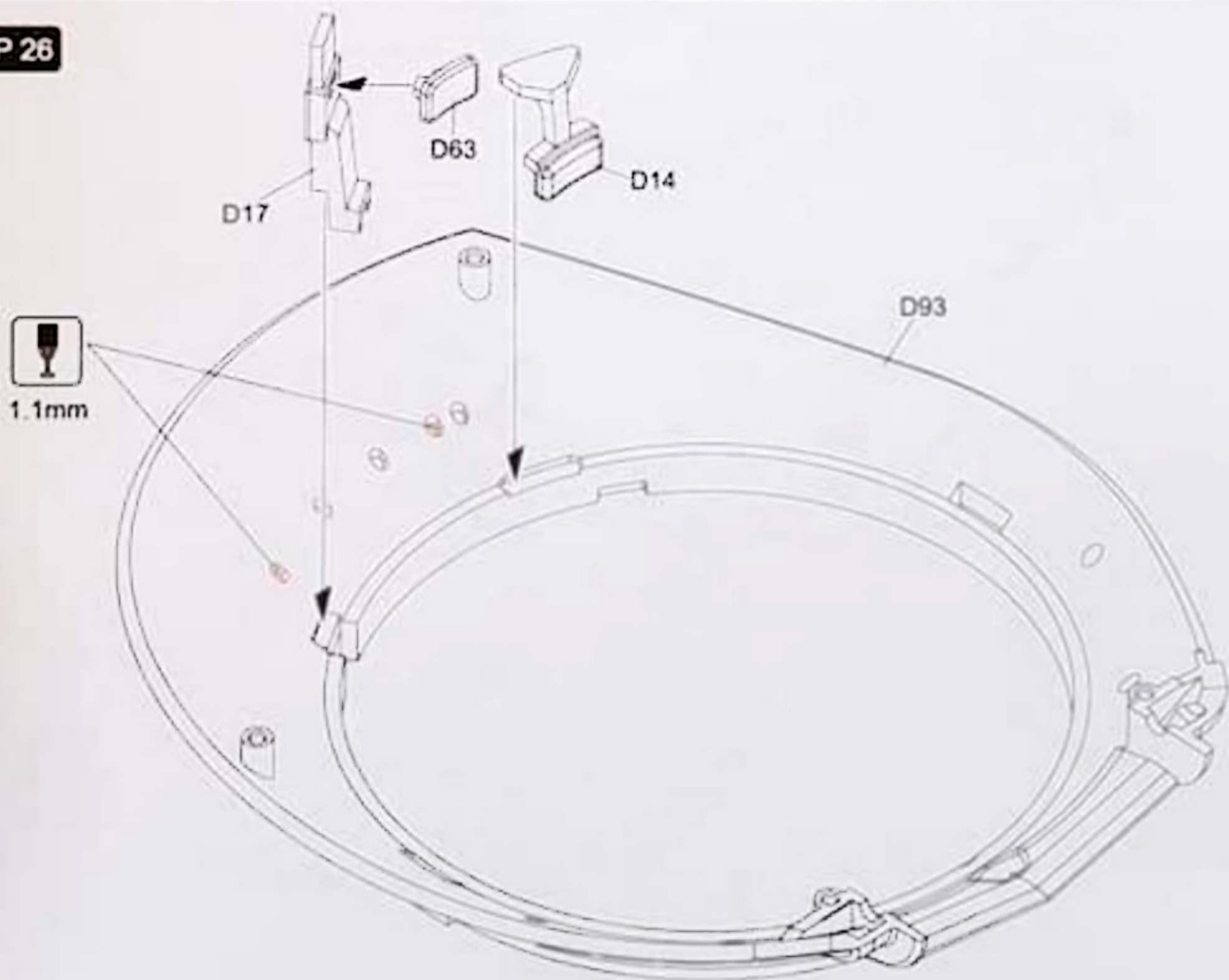


STEP 25

 Cut out from the sprue C
从C版胶道上获取



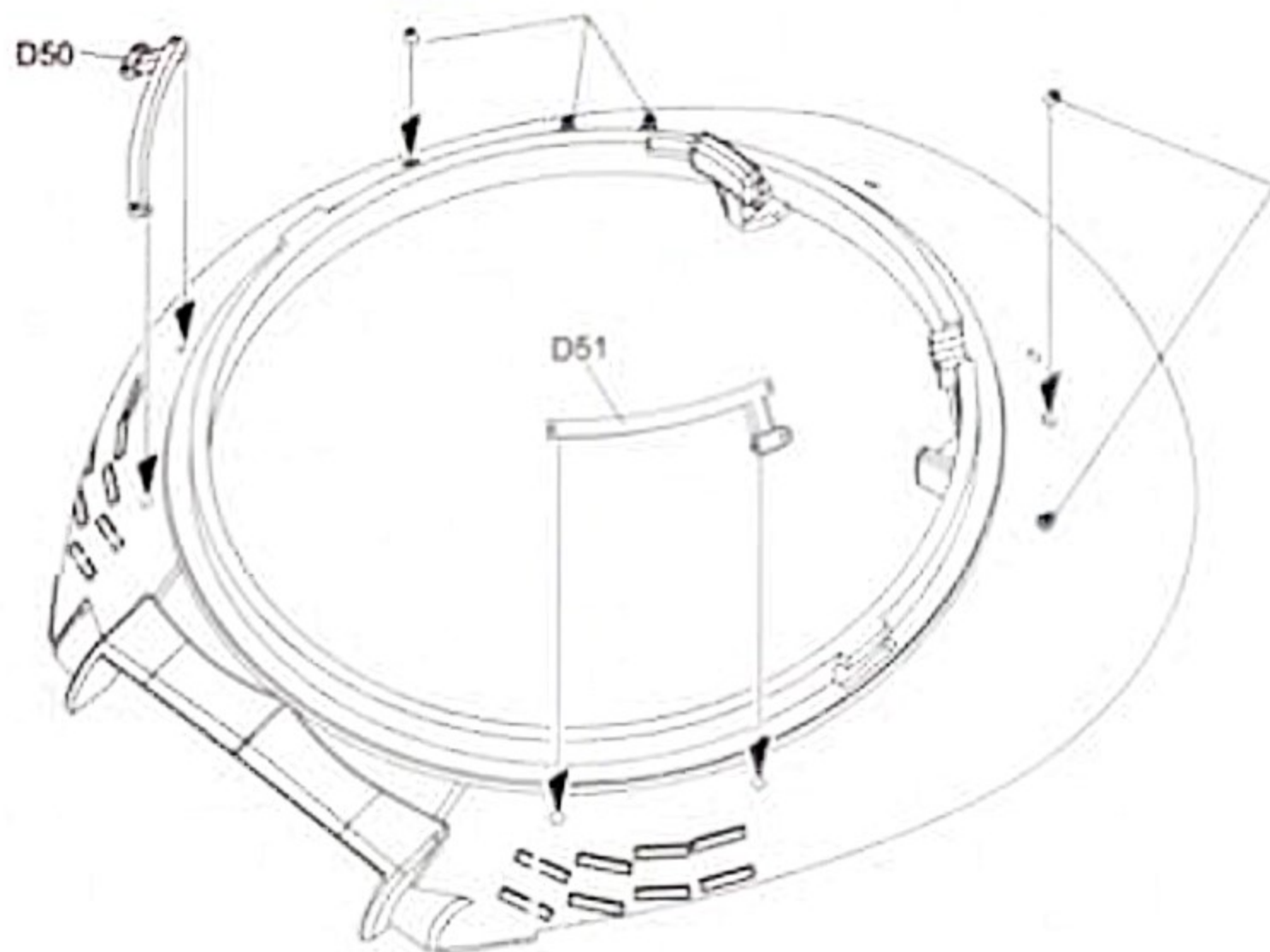
STEP 26



STEP 27

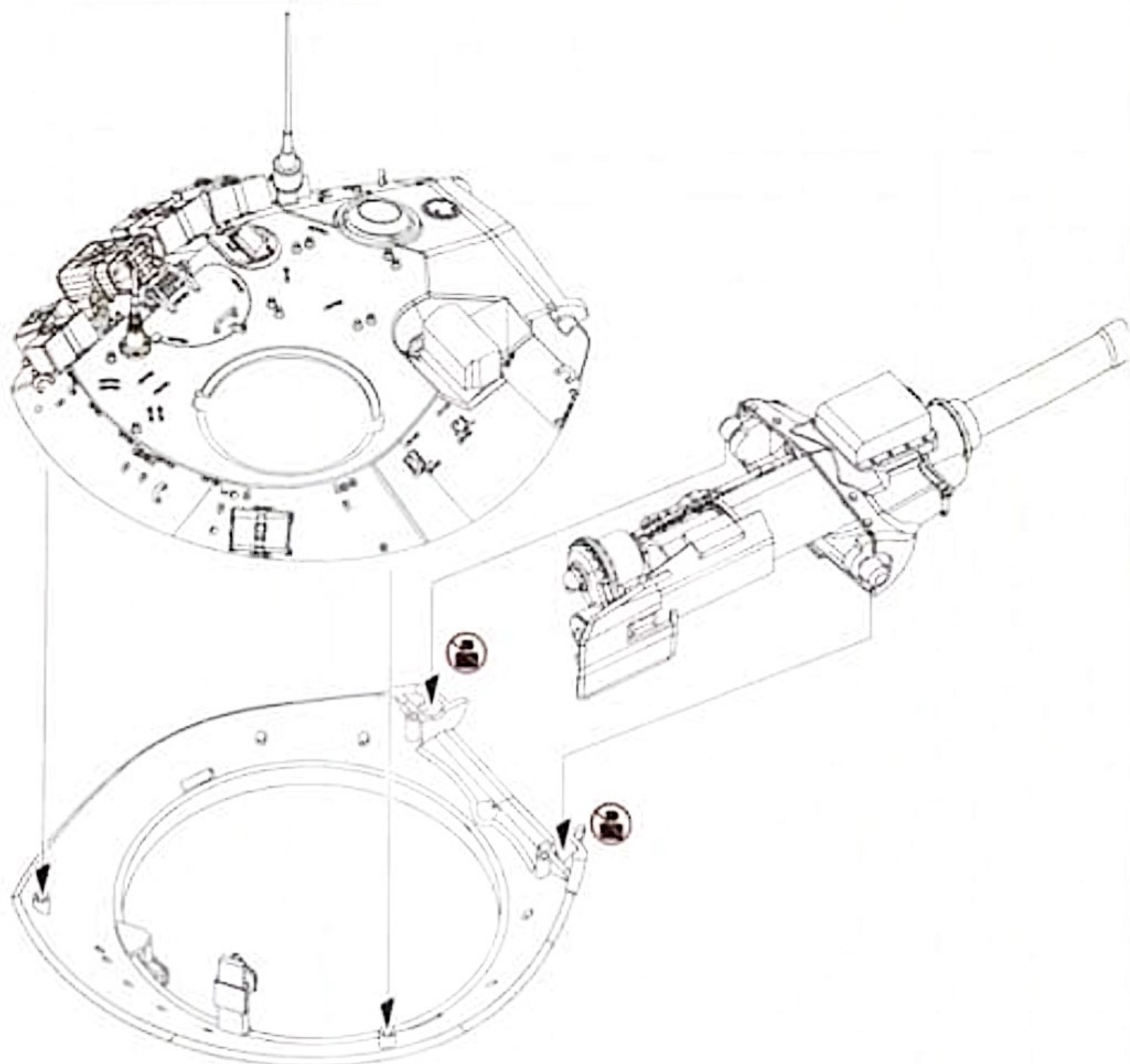


Cut out from the sprue C
从C板胶道上获取

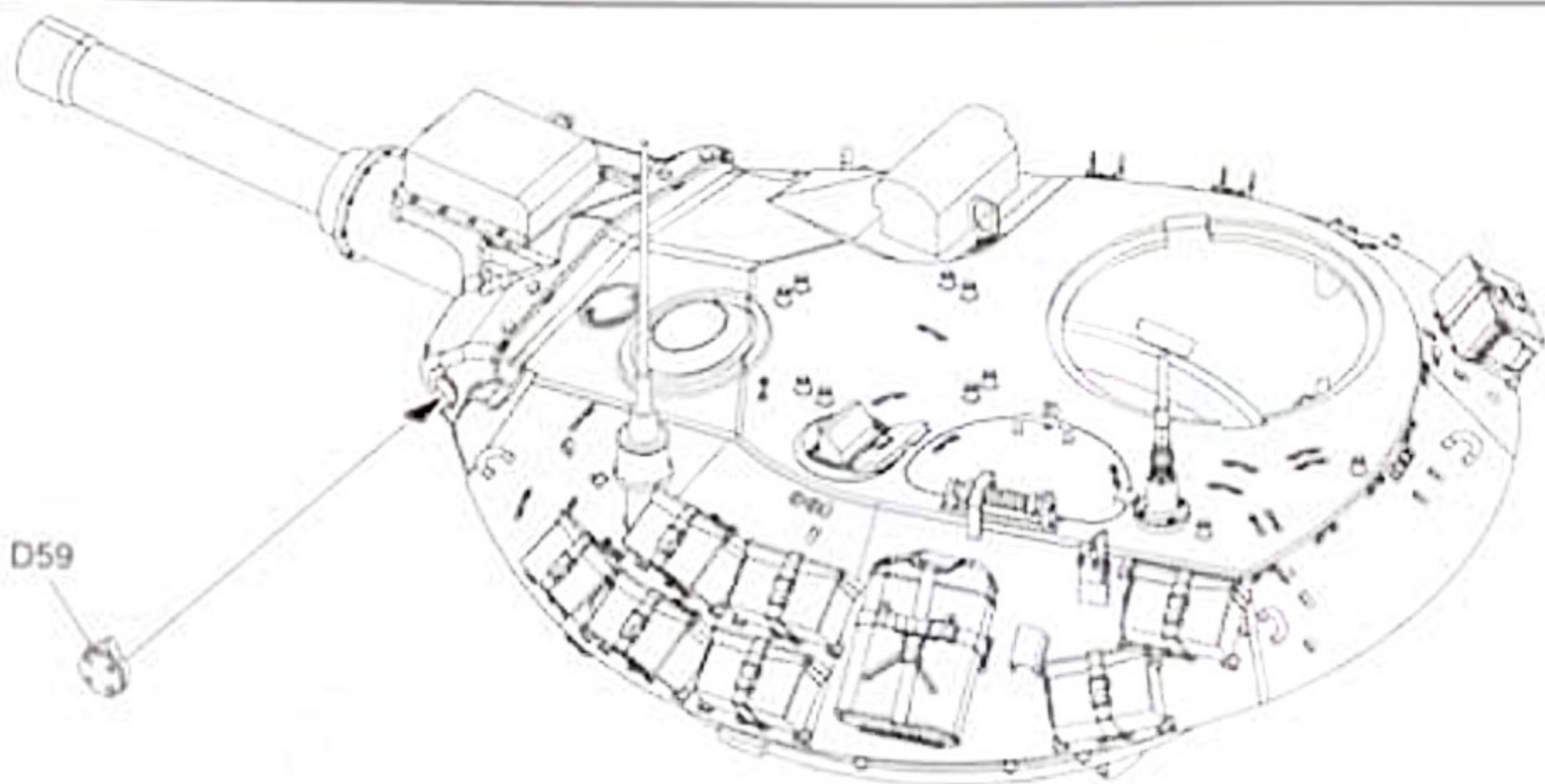


Cut out from the sprue C
从C板胶道上获取

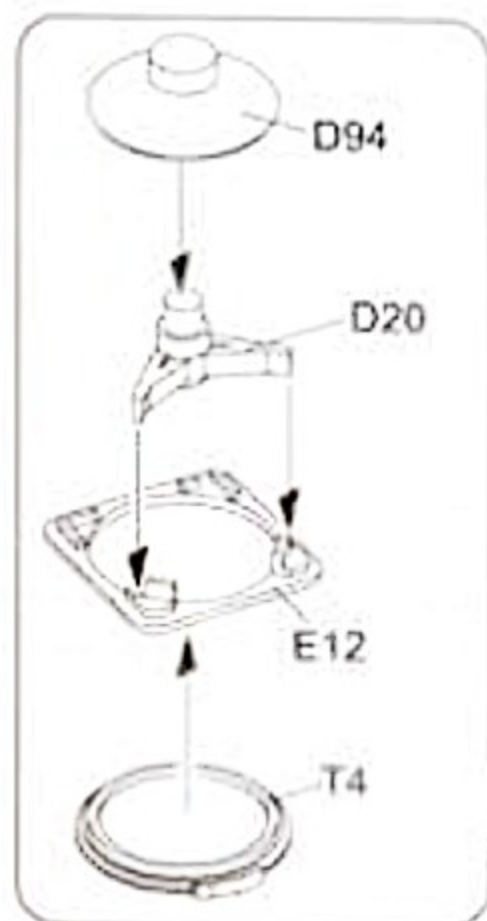
STEP 28



STEP 29



D59

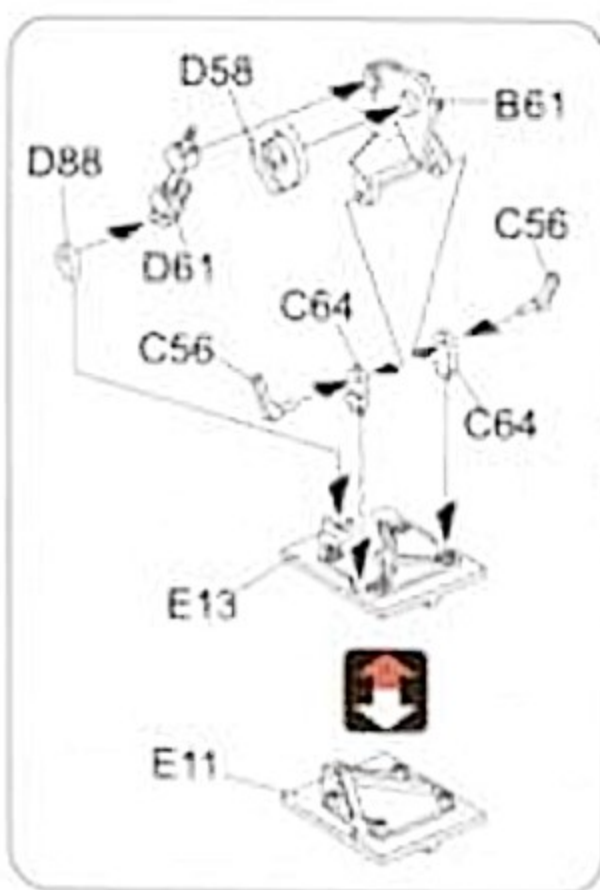


D94

D20

E12

T4



D58

B61

D88

D61

C56

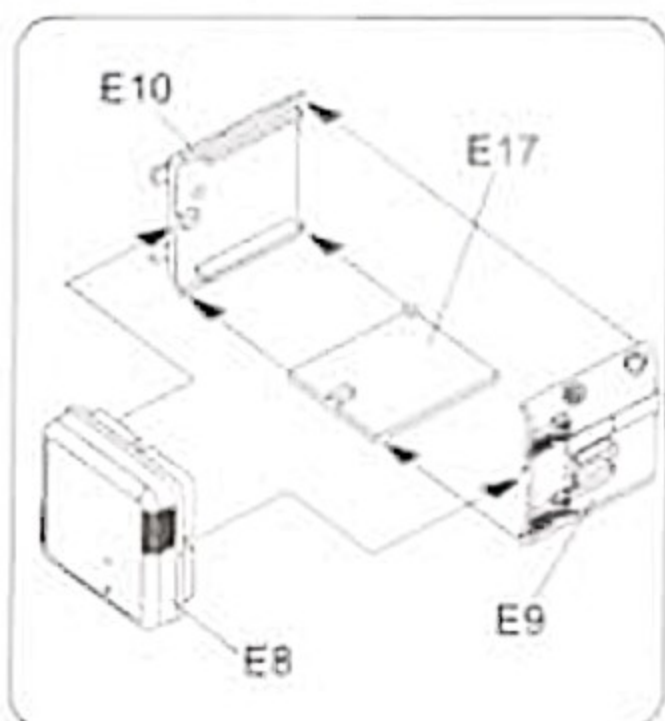
C64

C56

C64

E13

E11

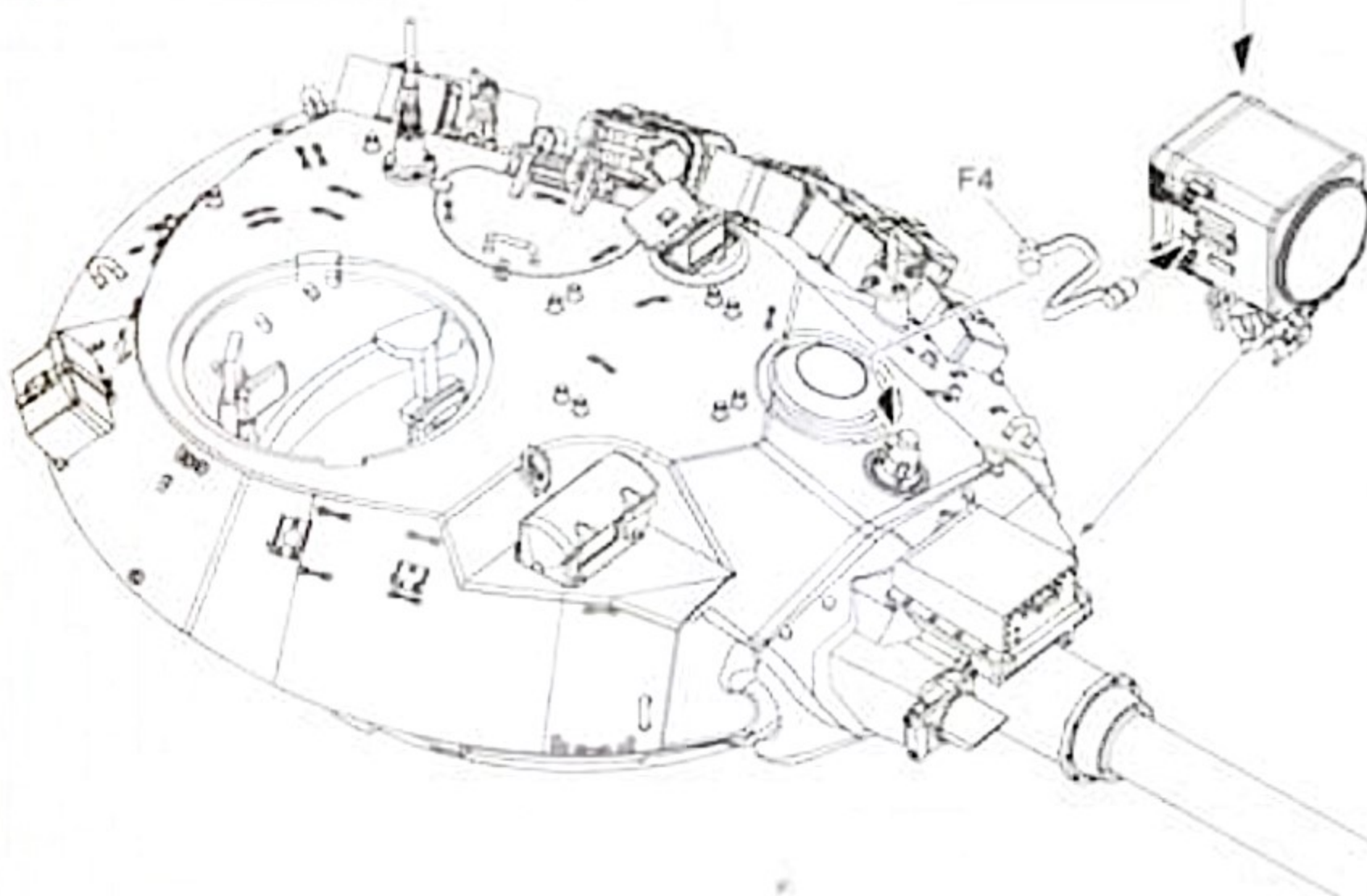


E10

E17

E8

E9



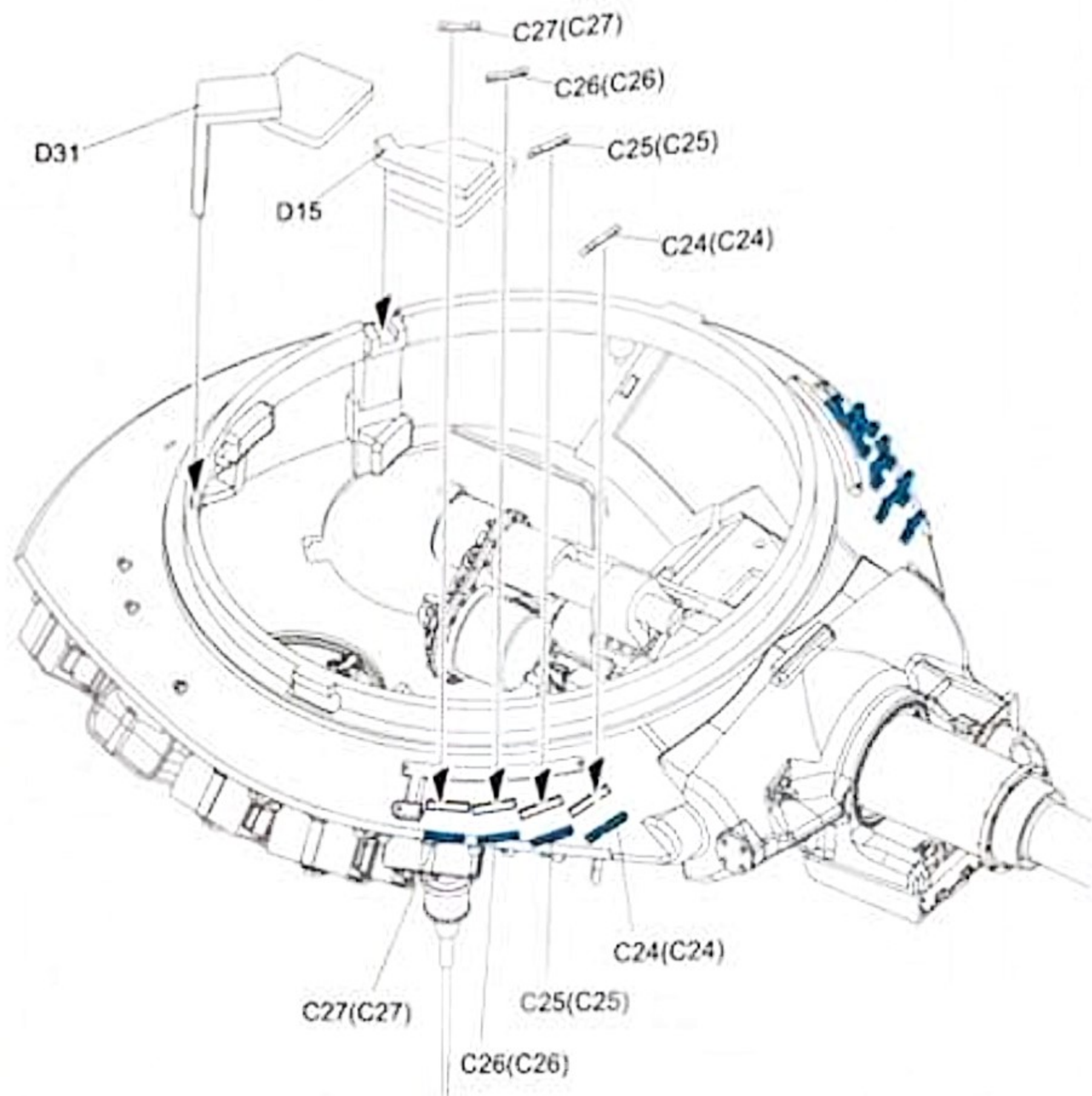
FA



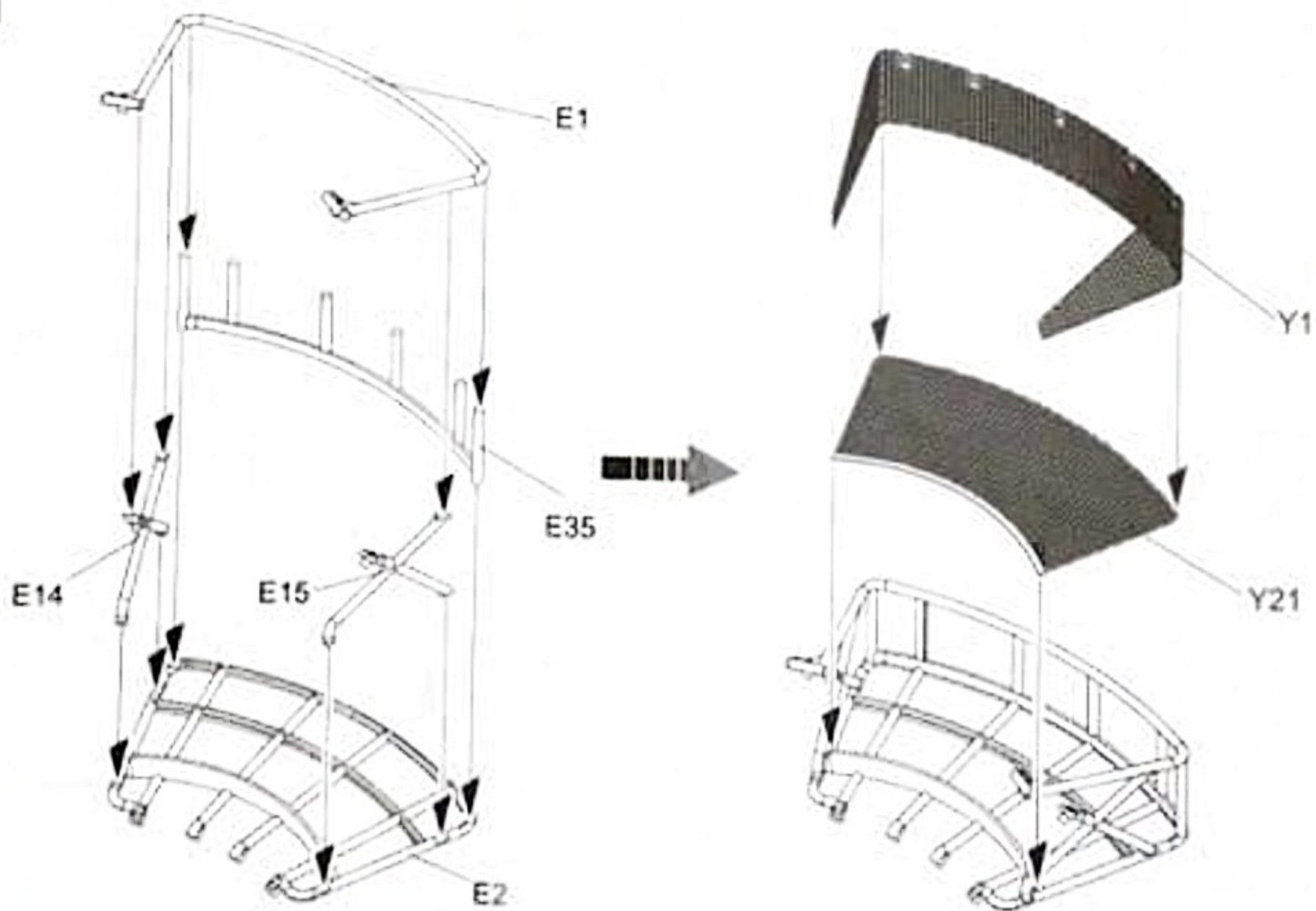
Y8

Y41

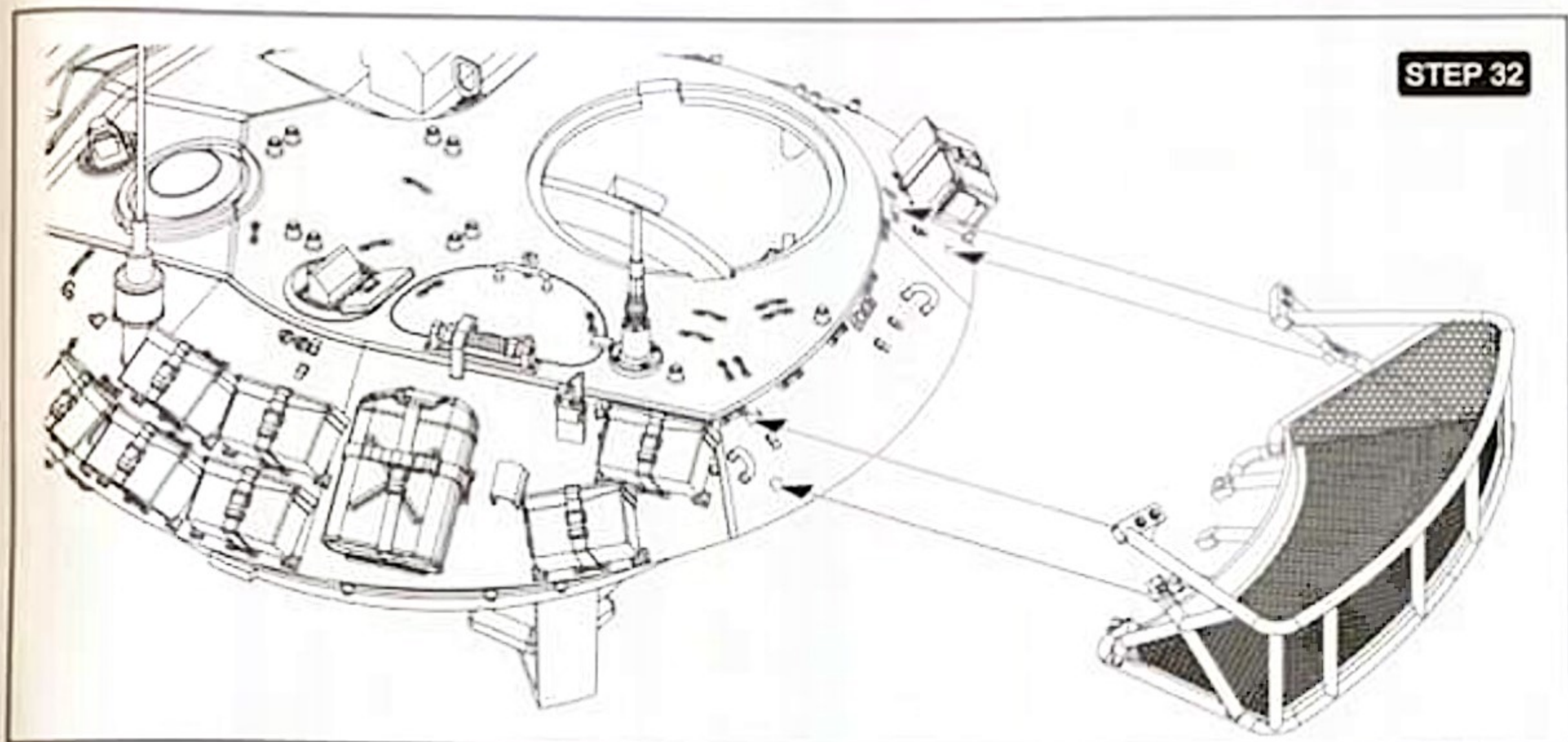
STEP 30



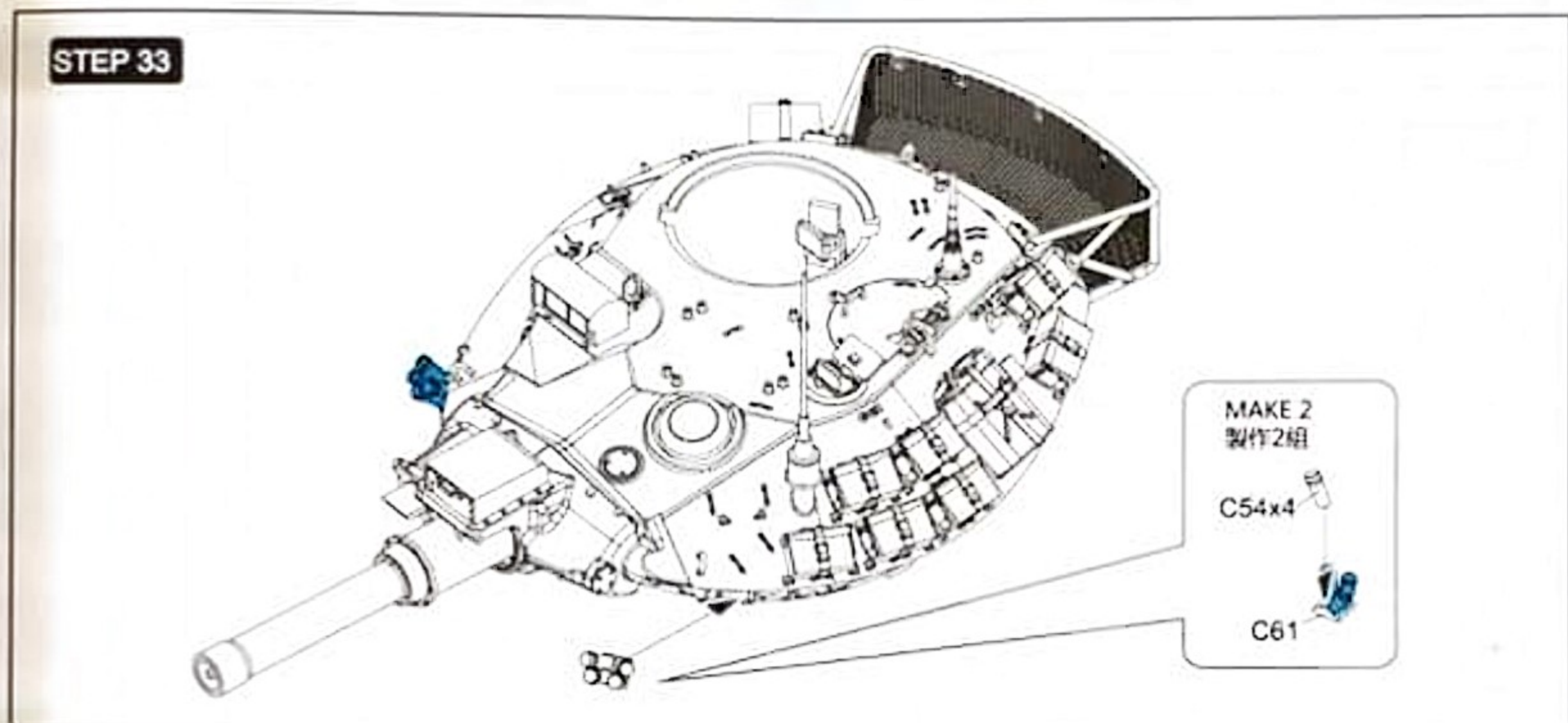
STEP 31



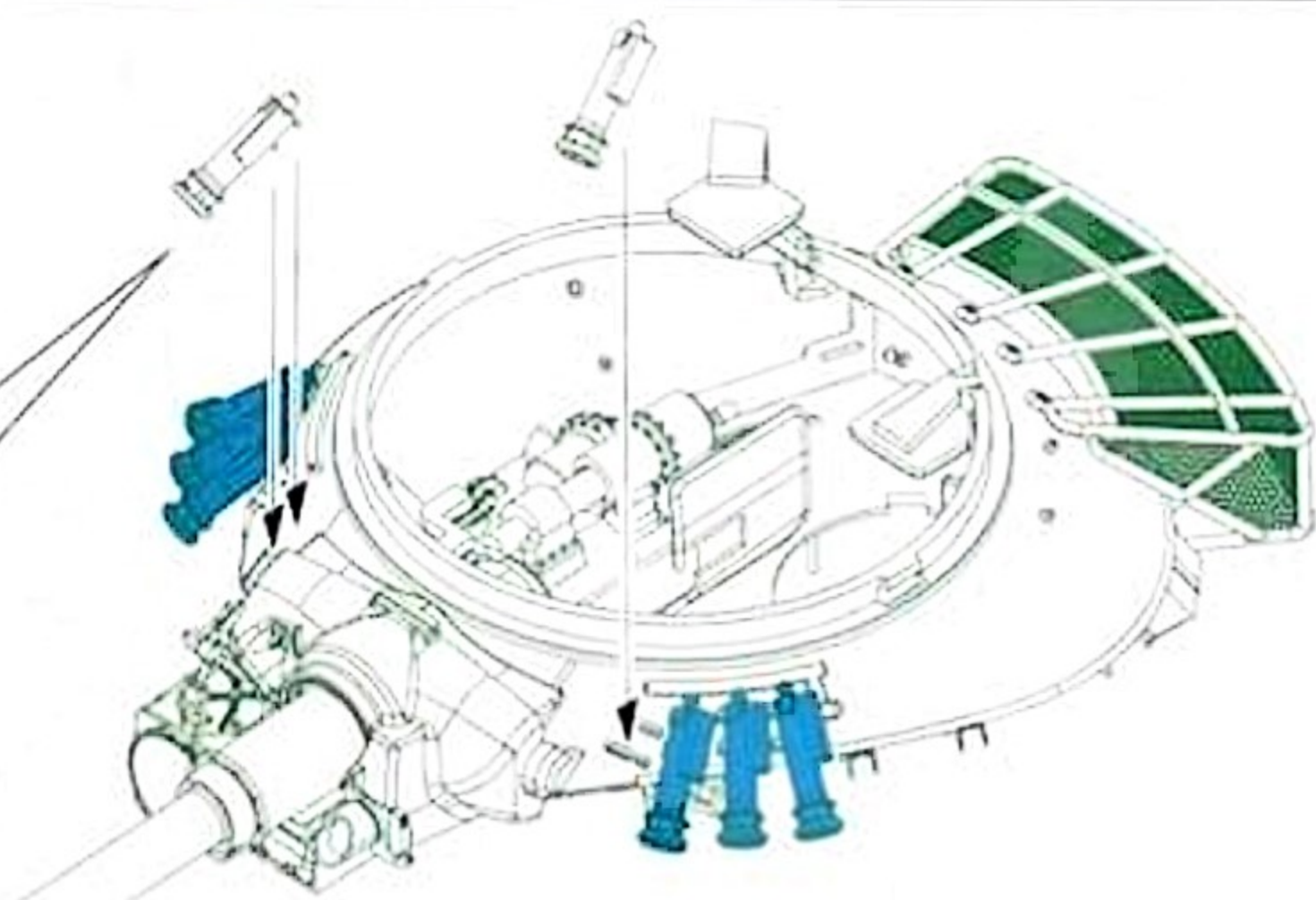
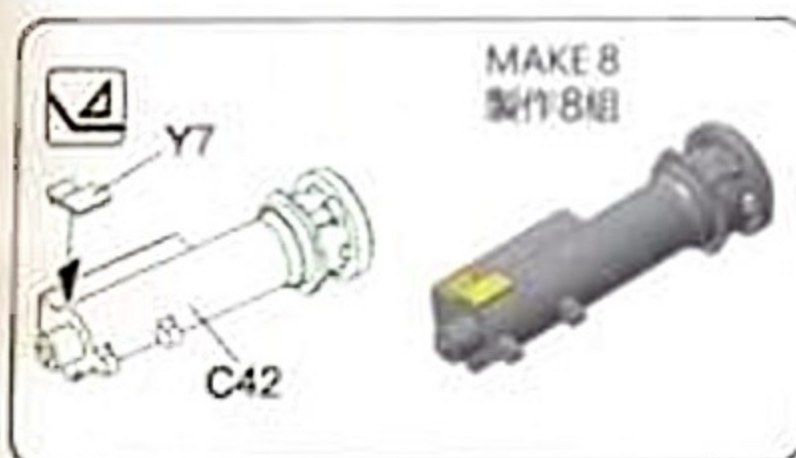
STEP 32



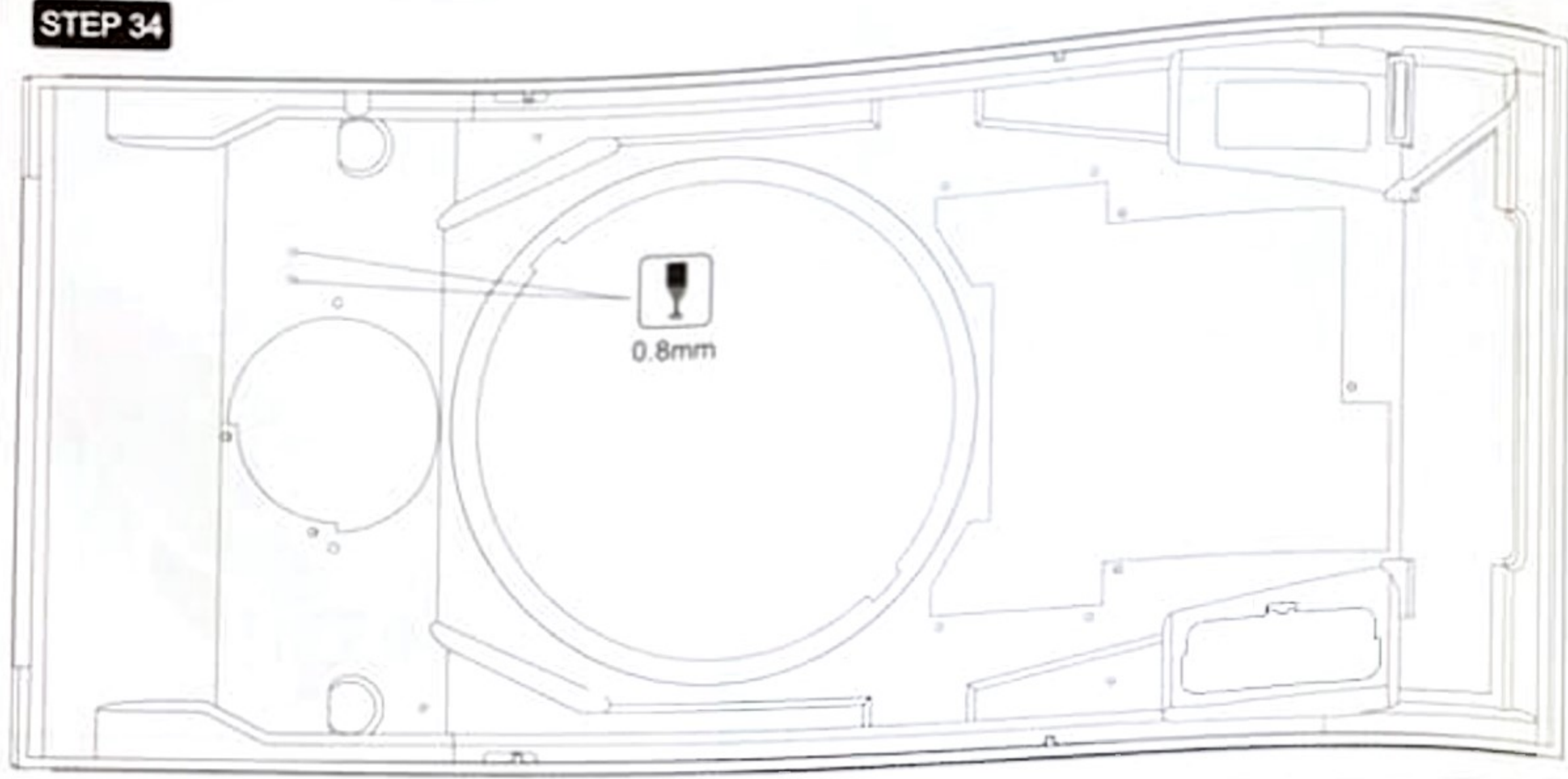
STEP 33



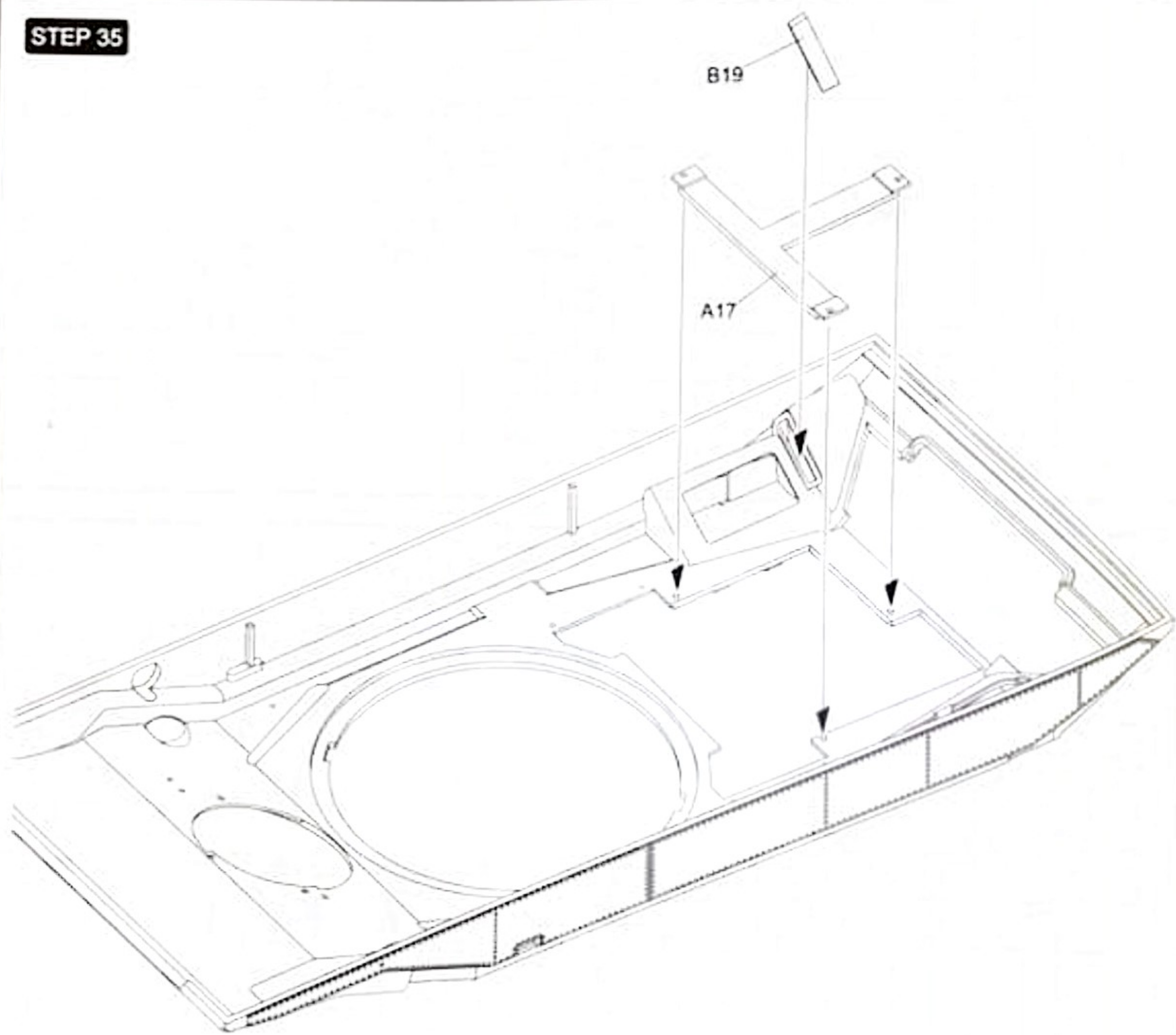
Use only for A1
A1型安裝樣式



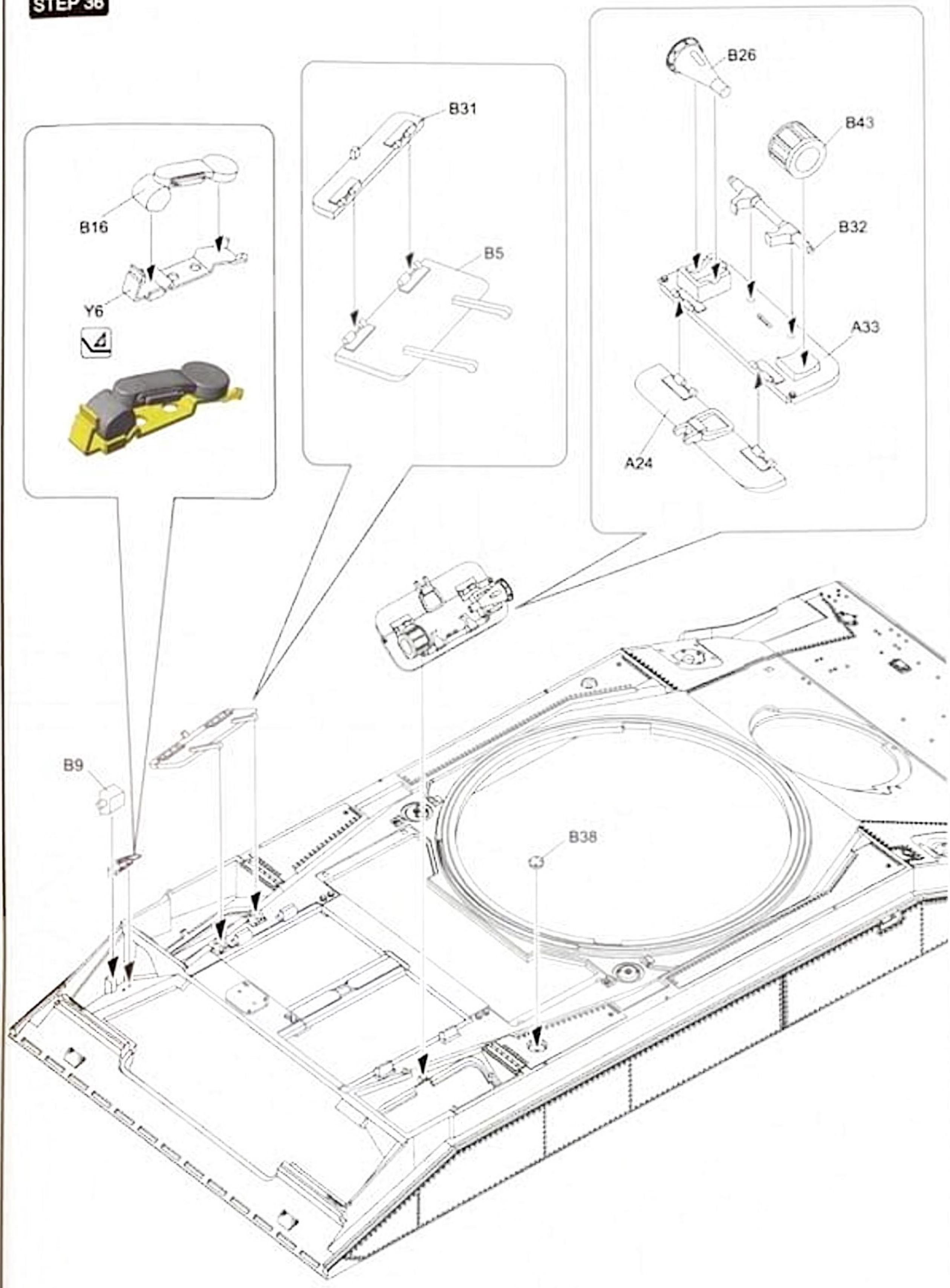
STEP 34

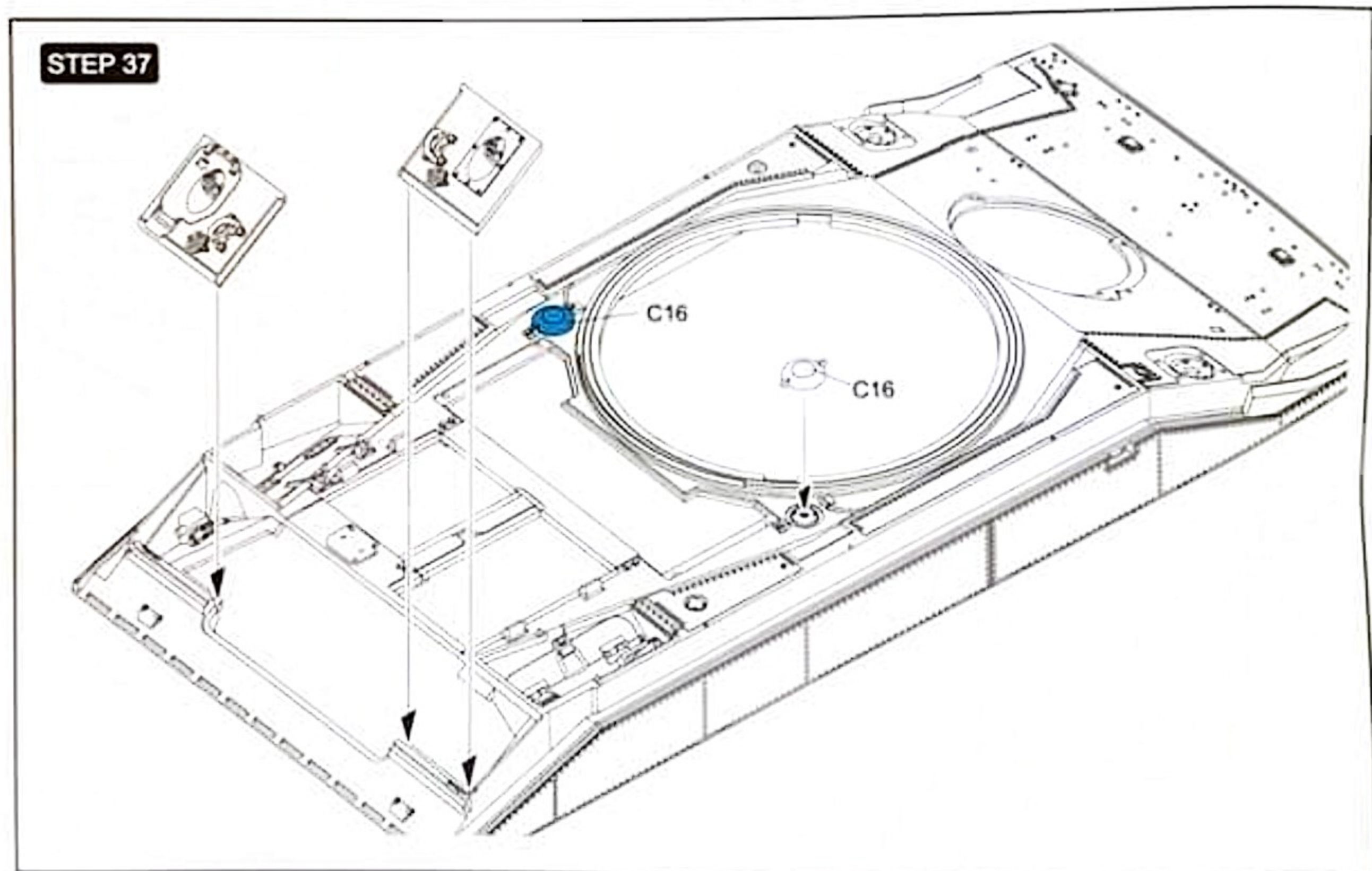
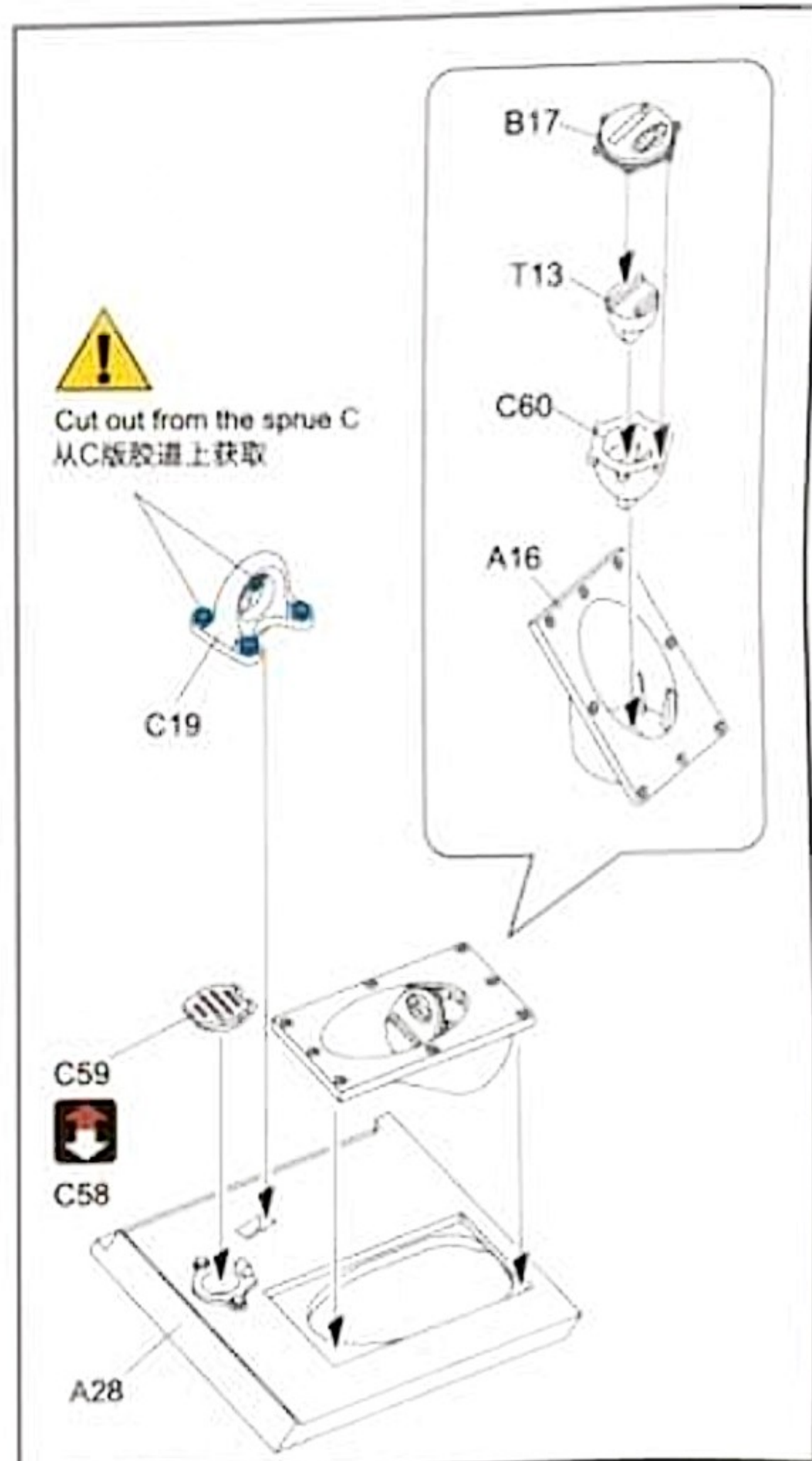


STEP 35

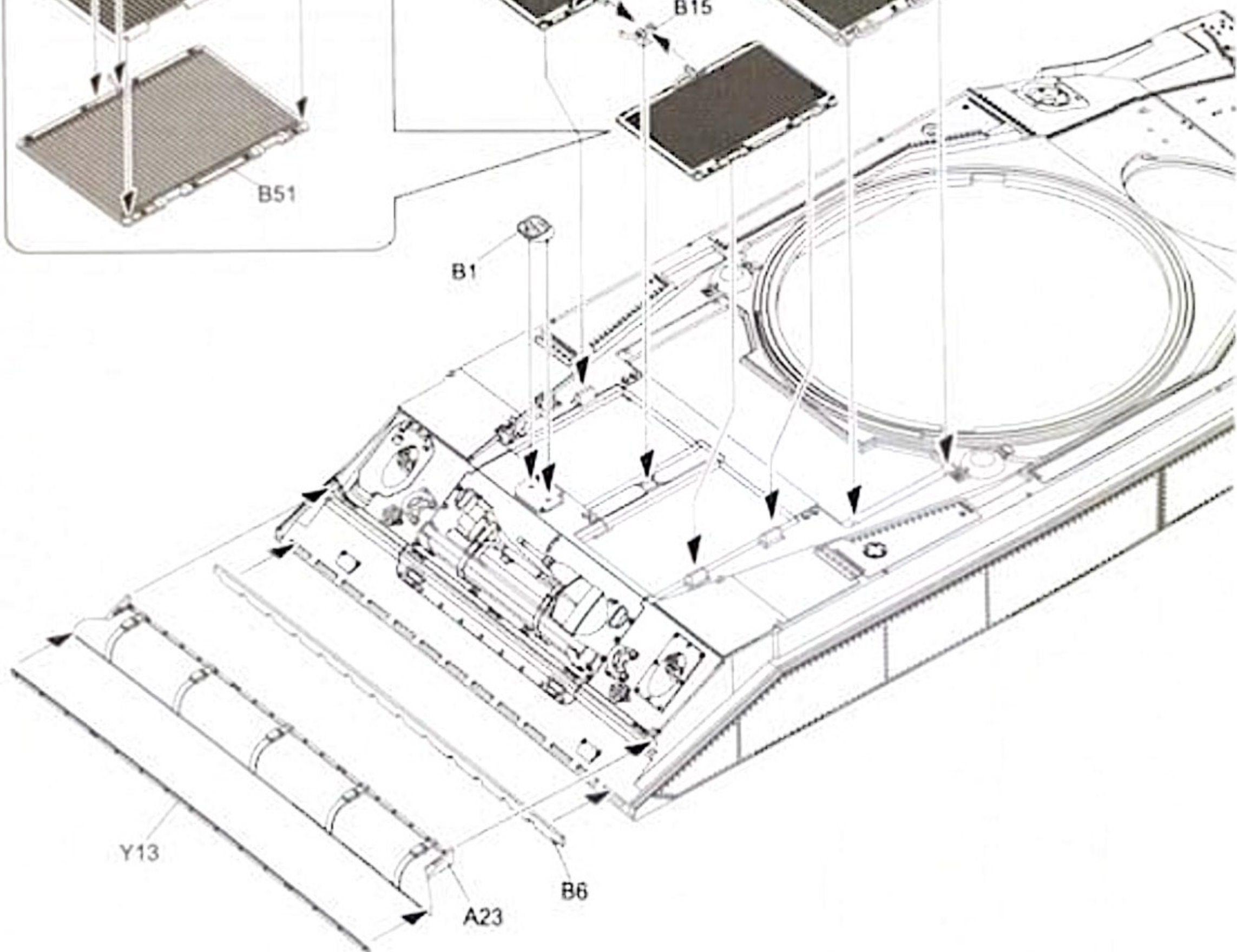
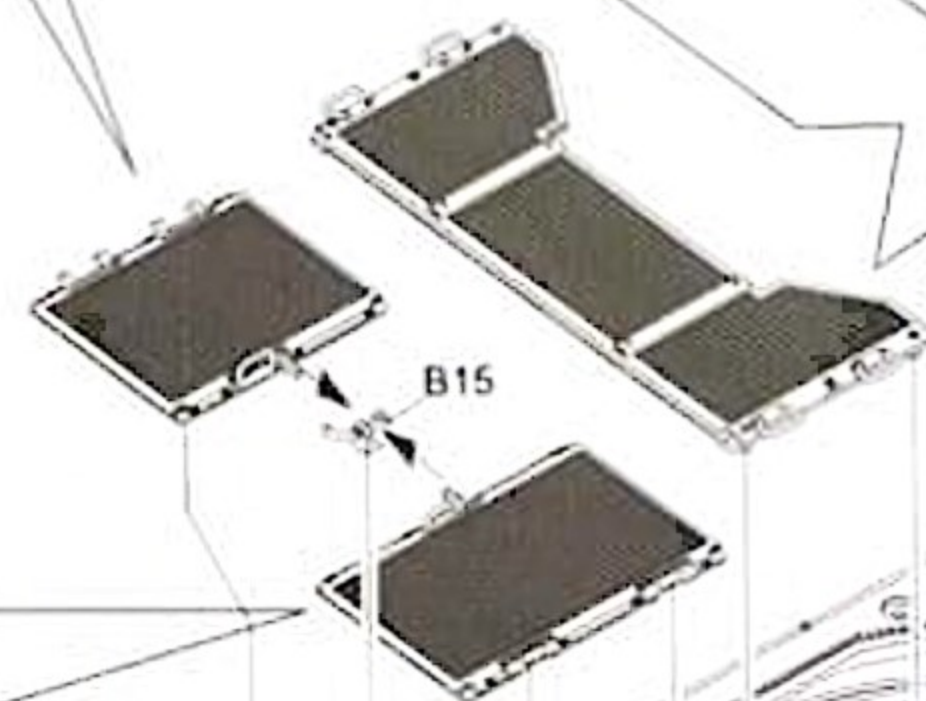
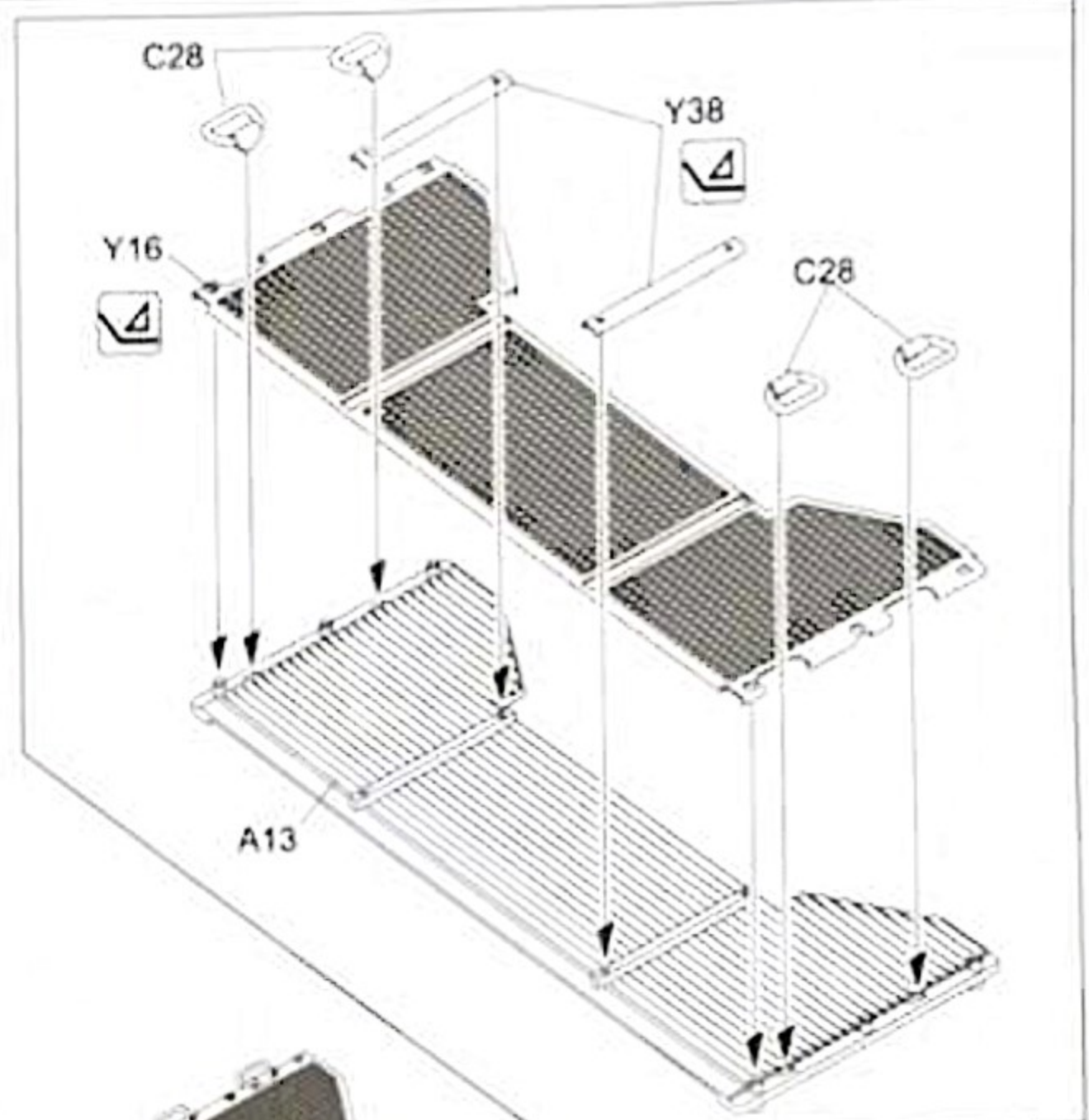
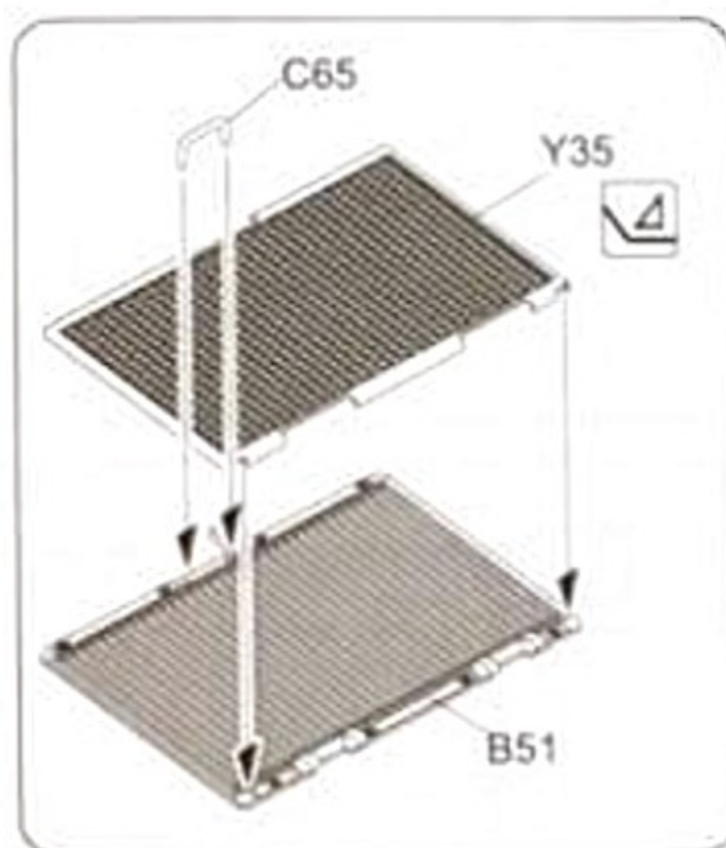
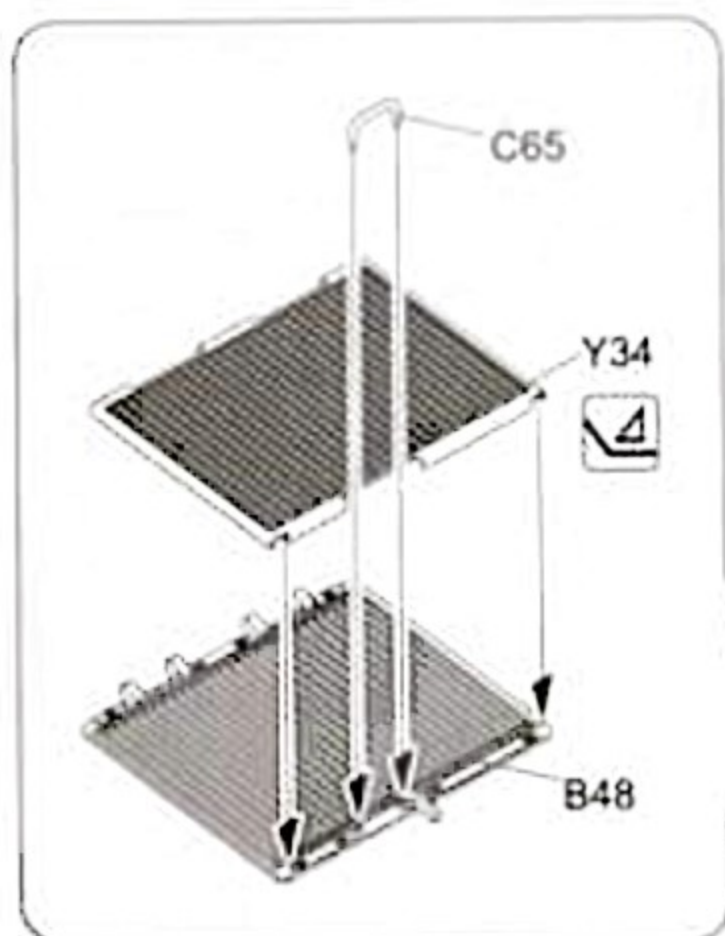


STEP 36

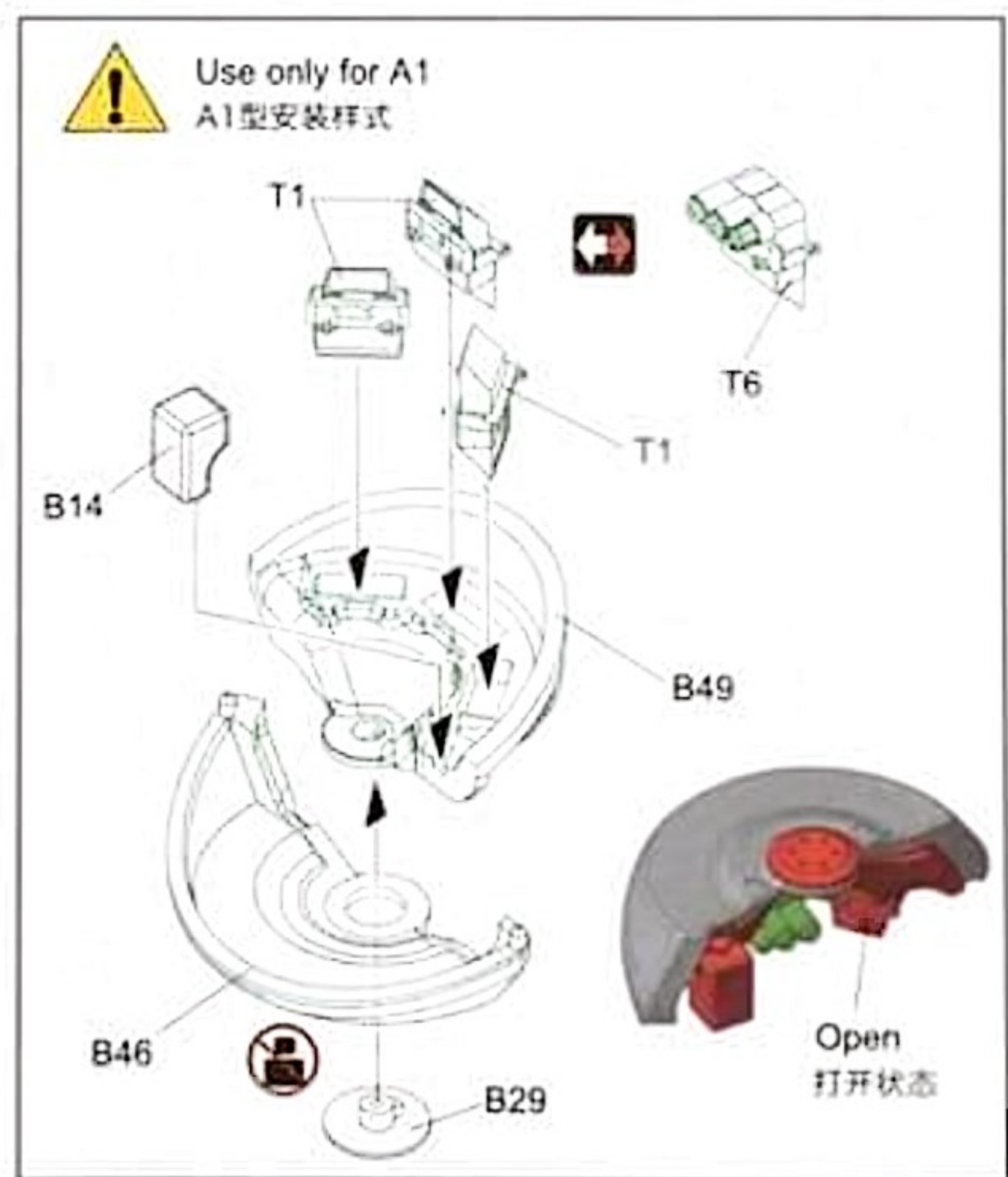
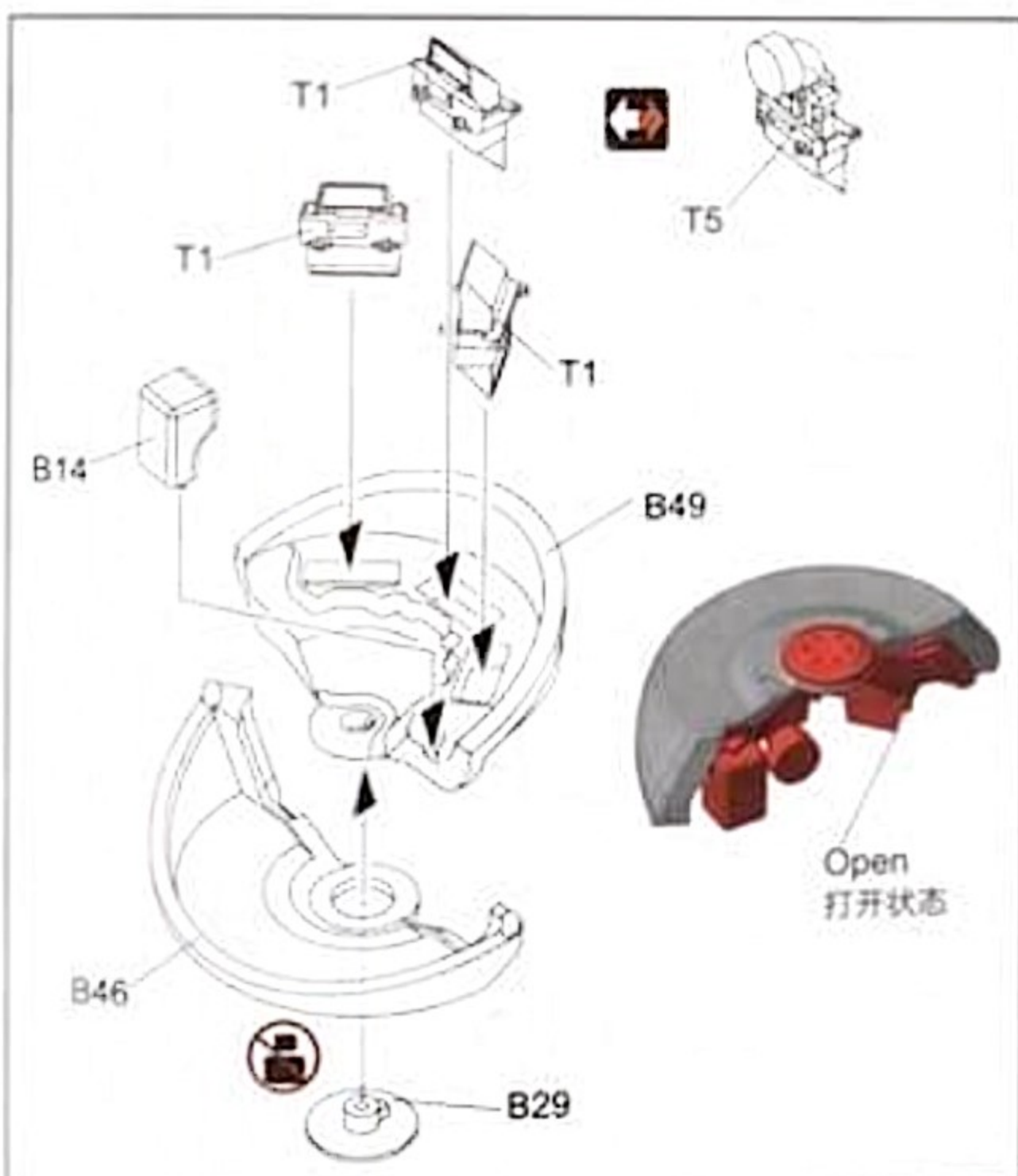
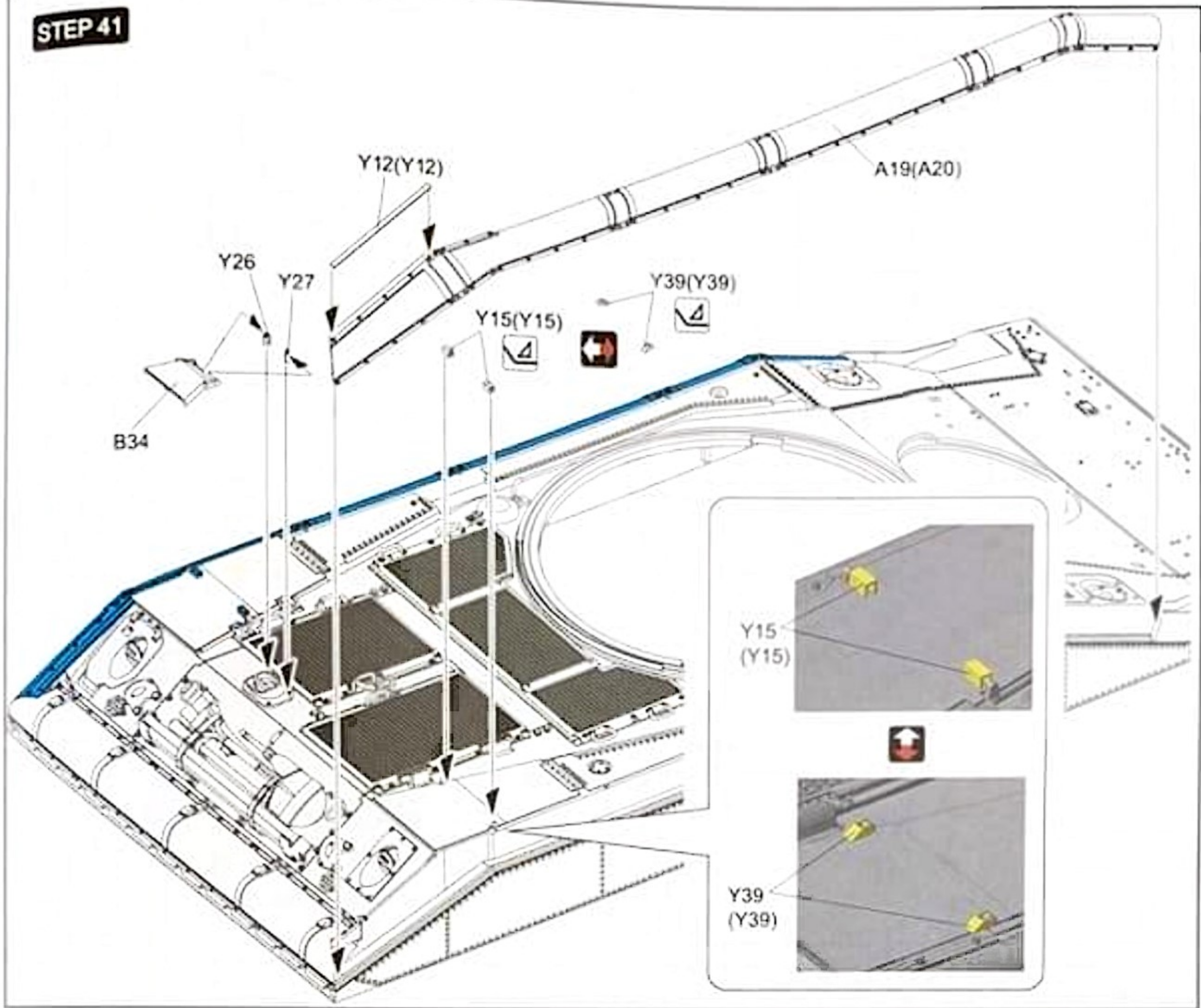




STEP 40



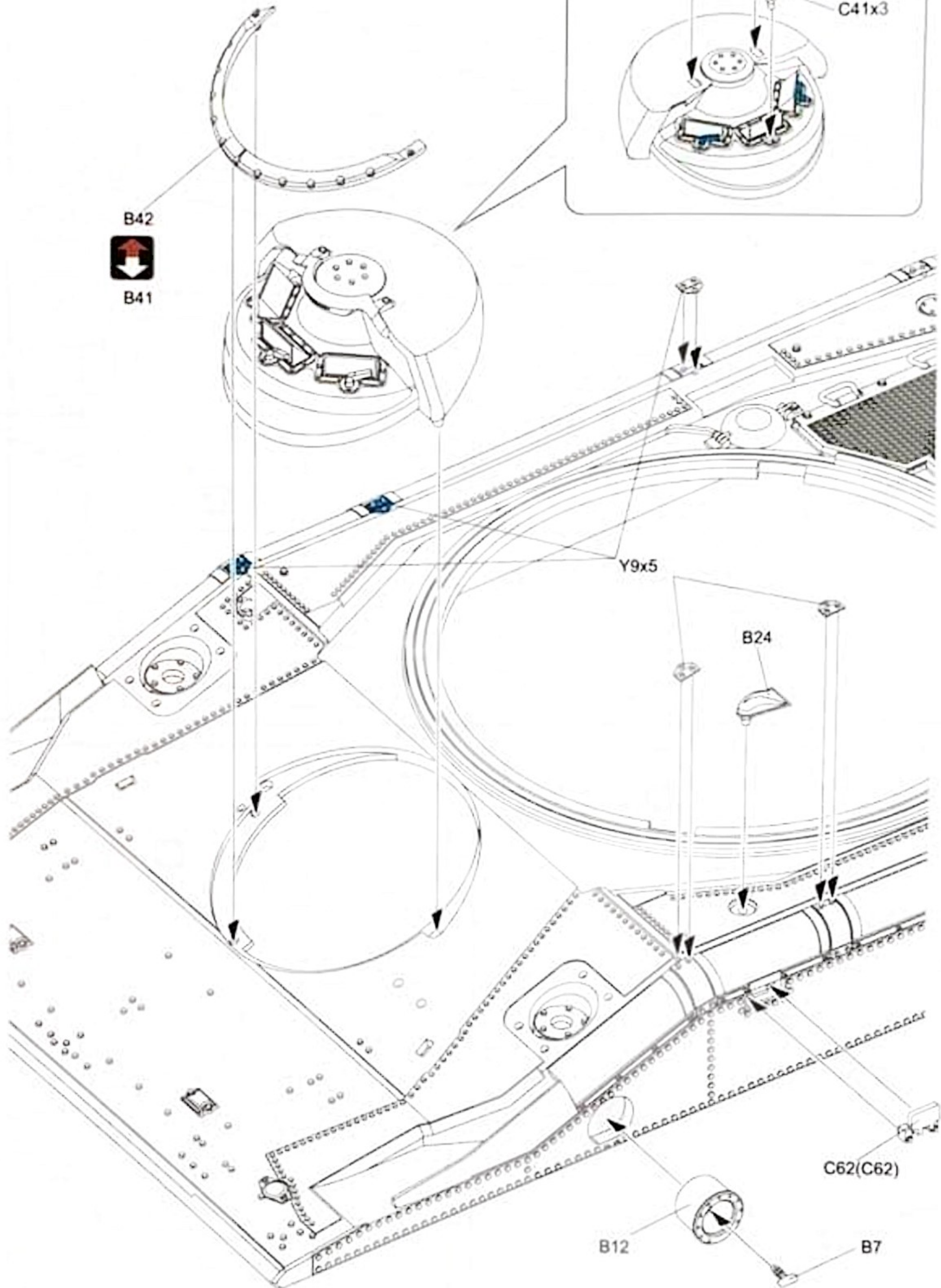
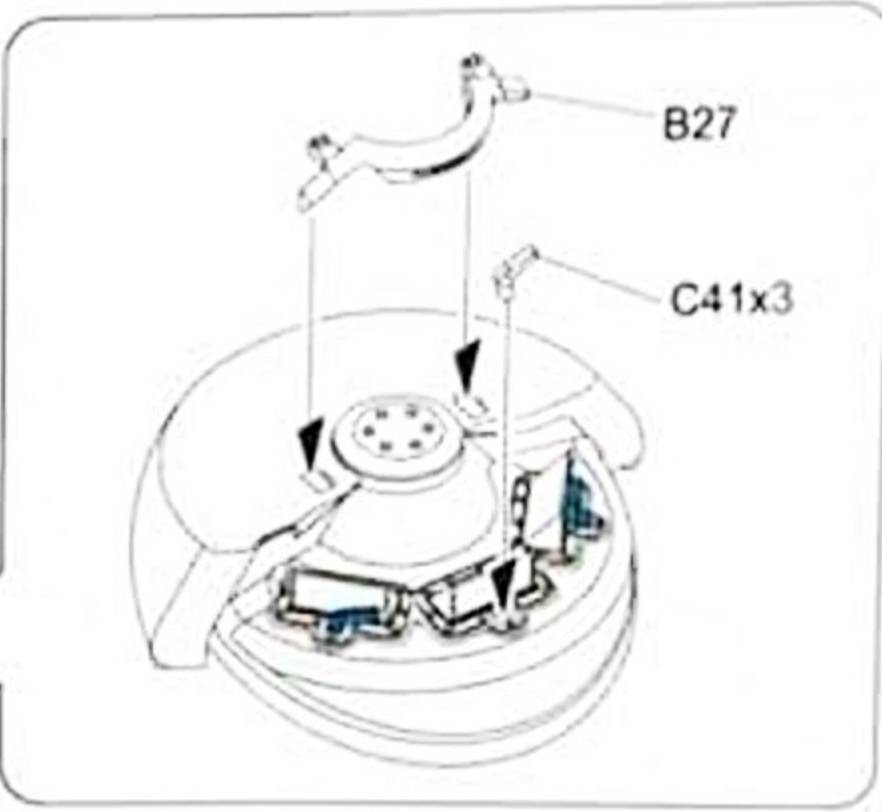
STEP 41



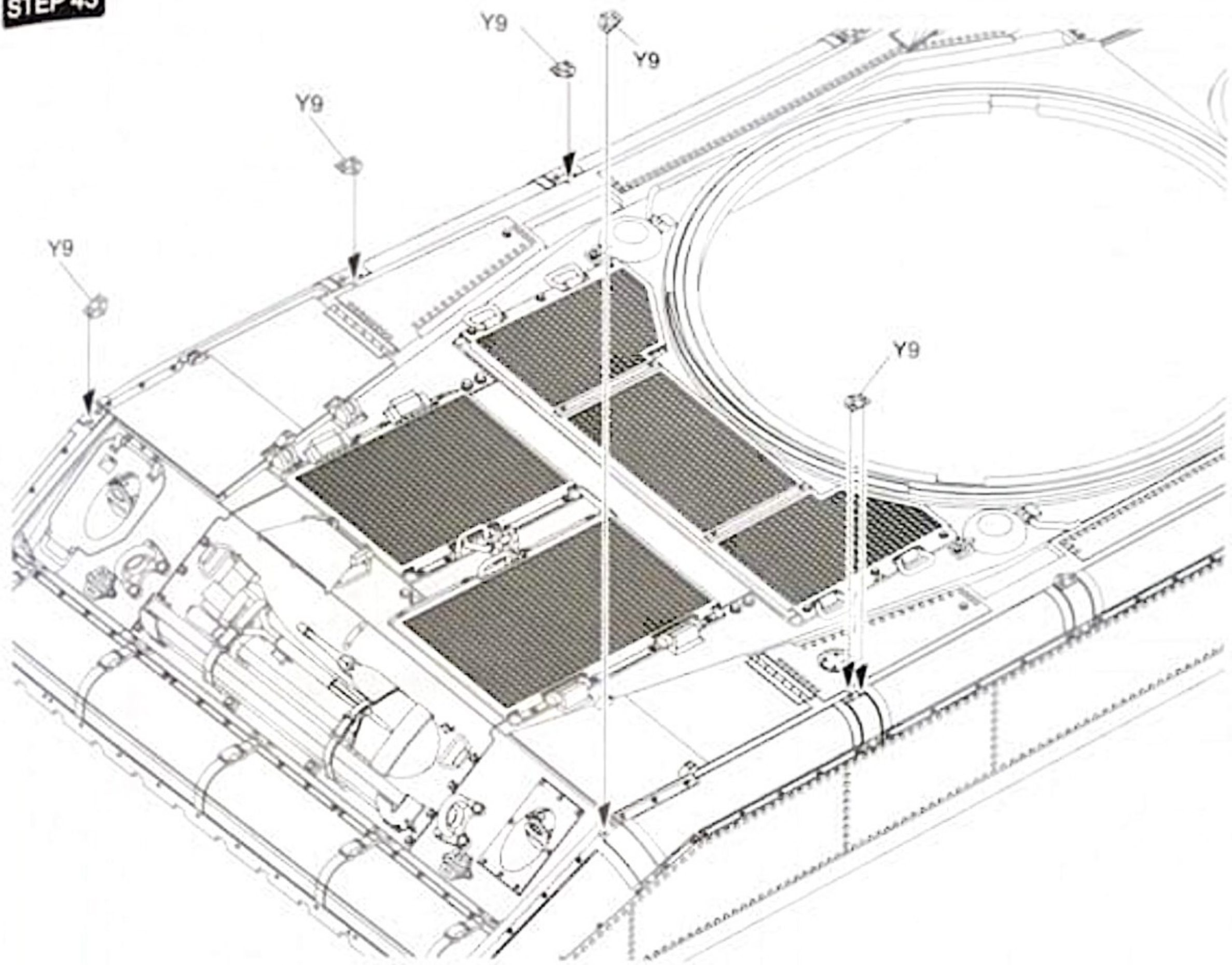
STEP 42

B42

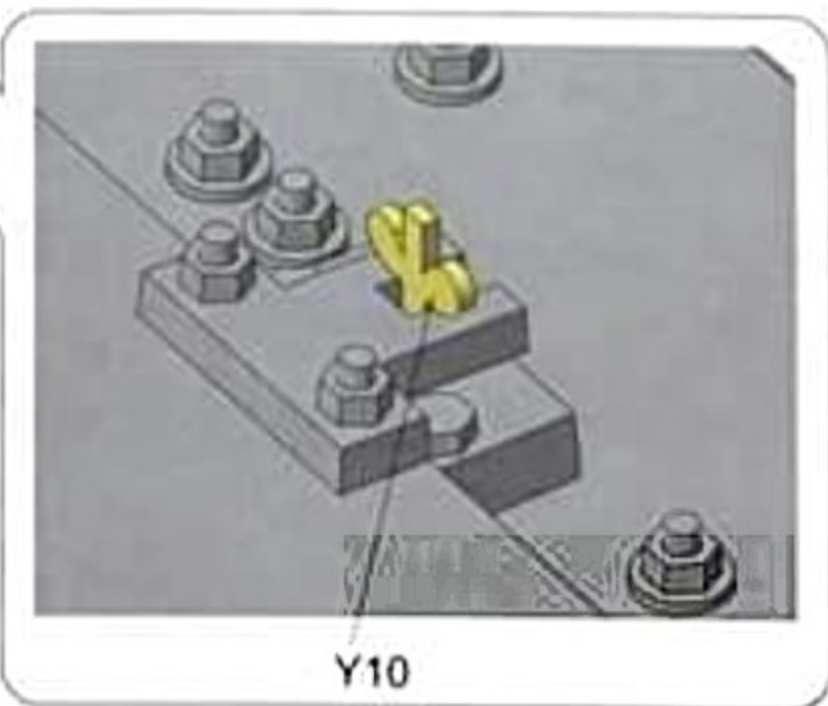
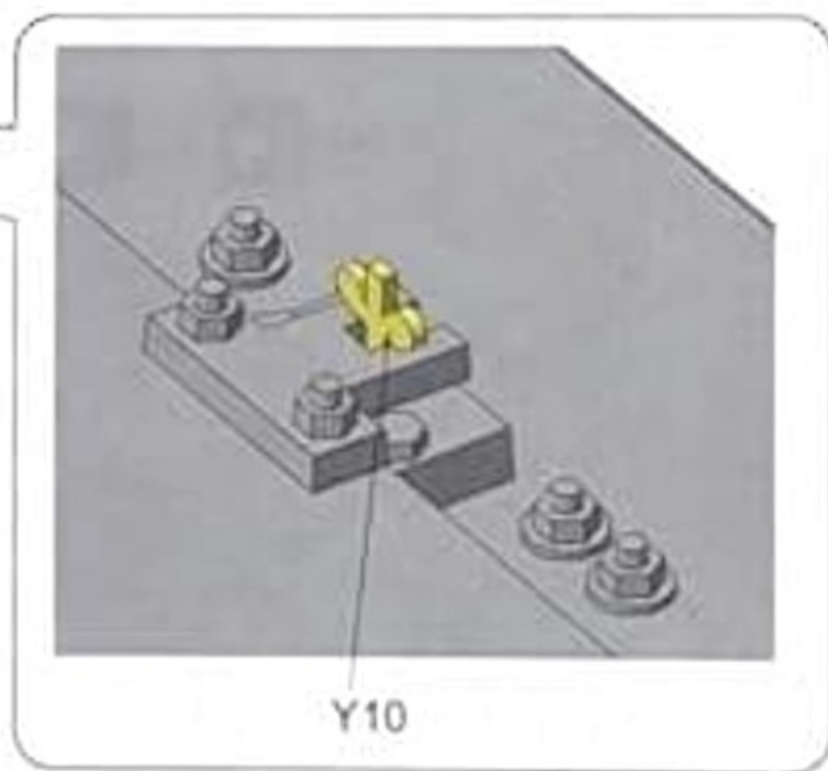
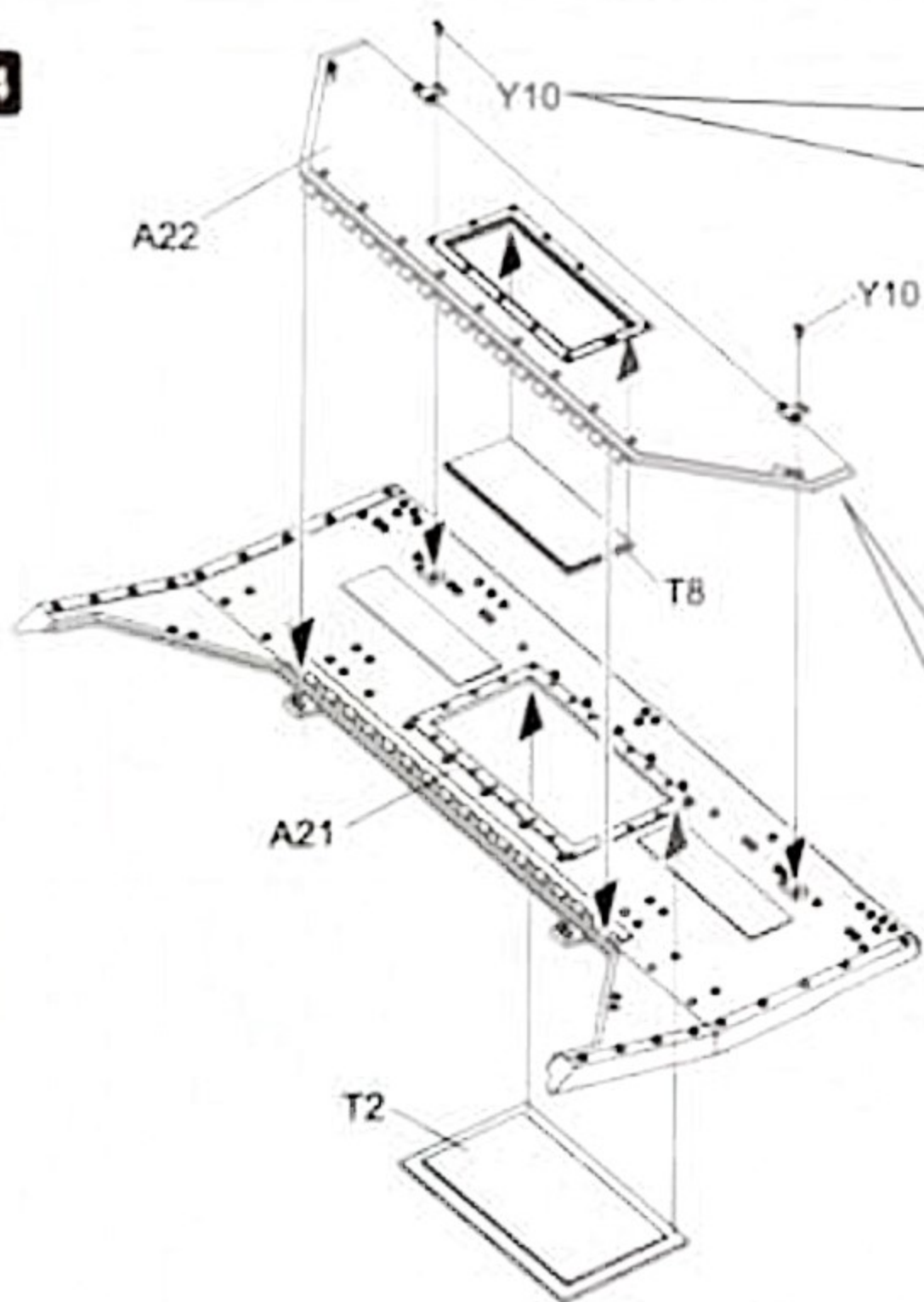
B41



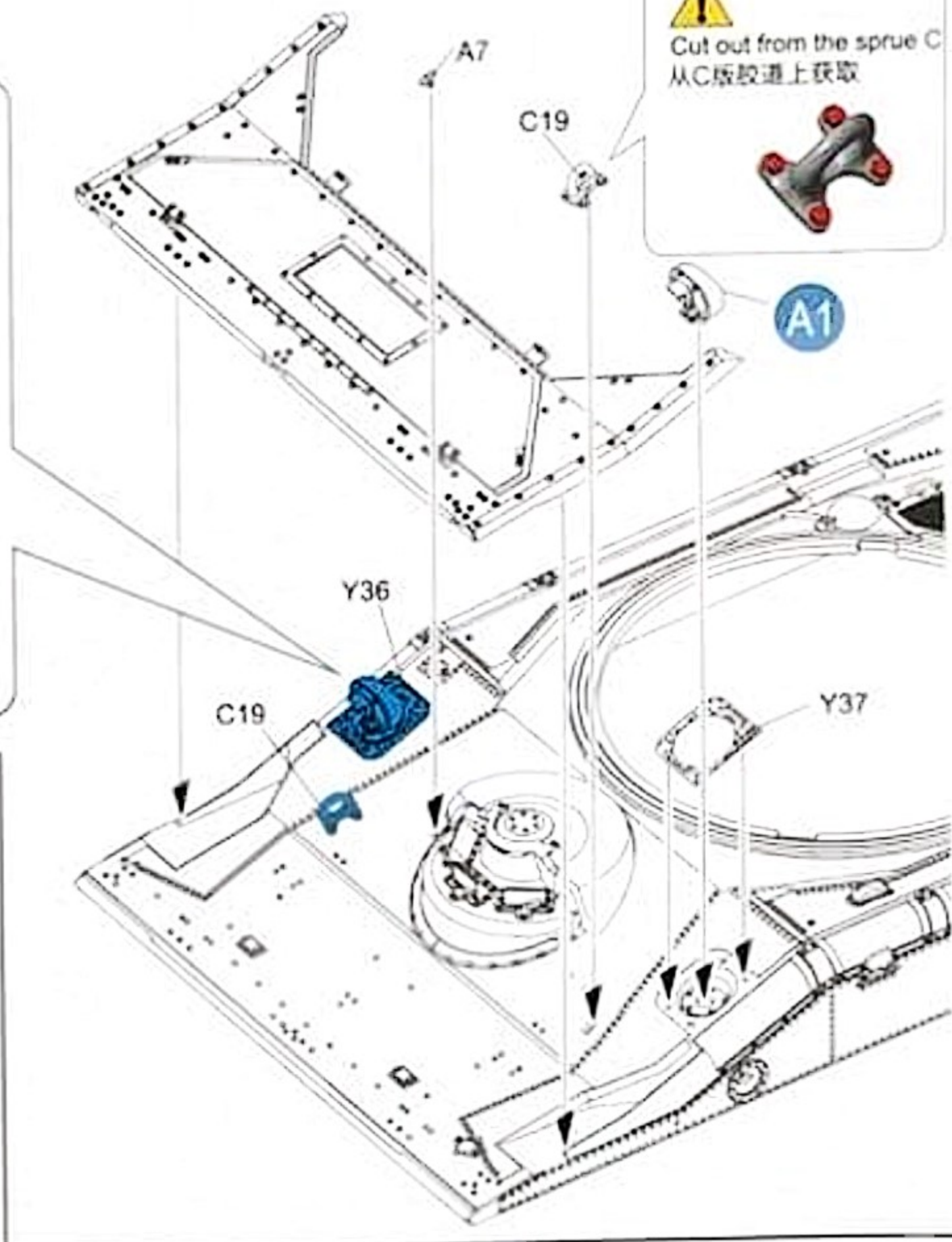
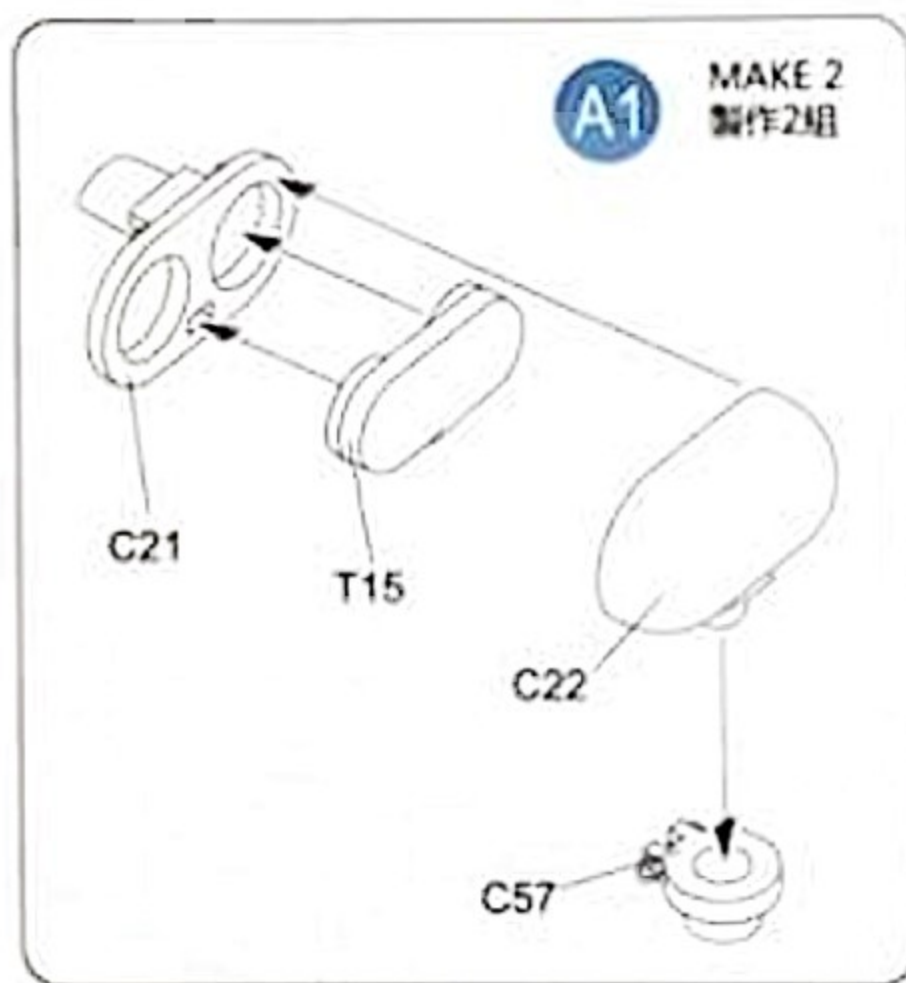
STEP 43



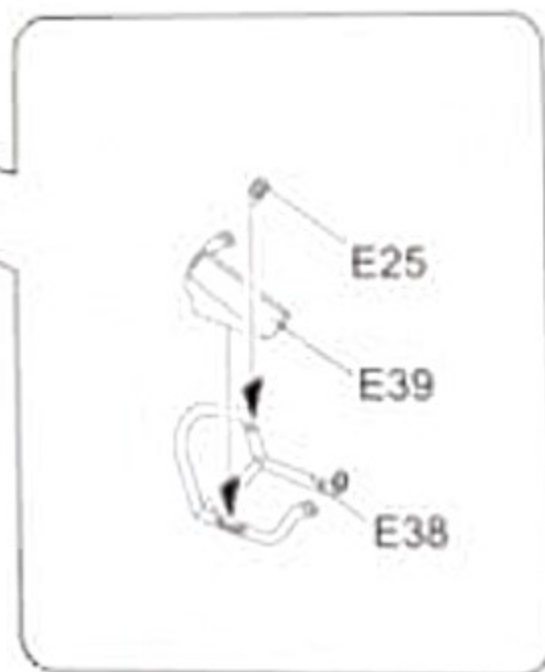
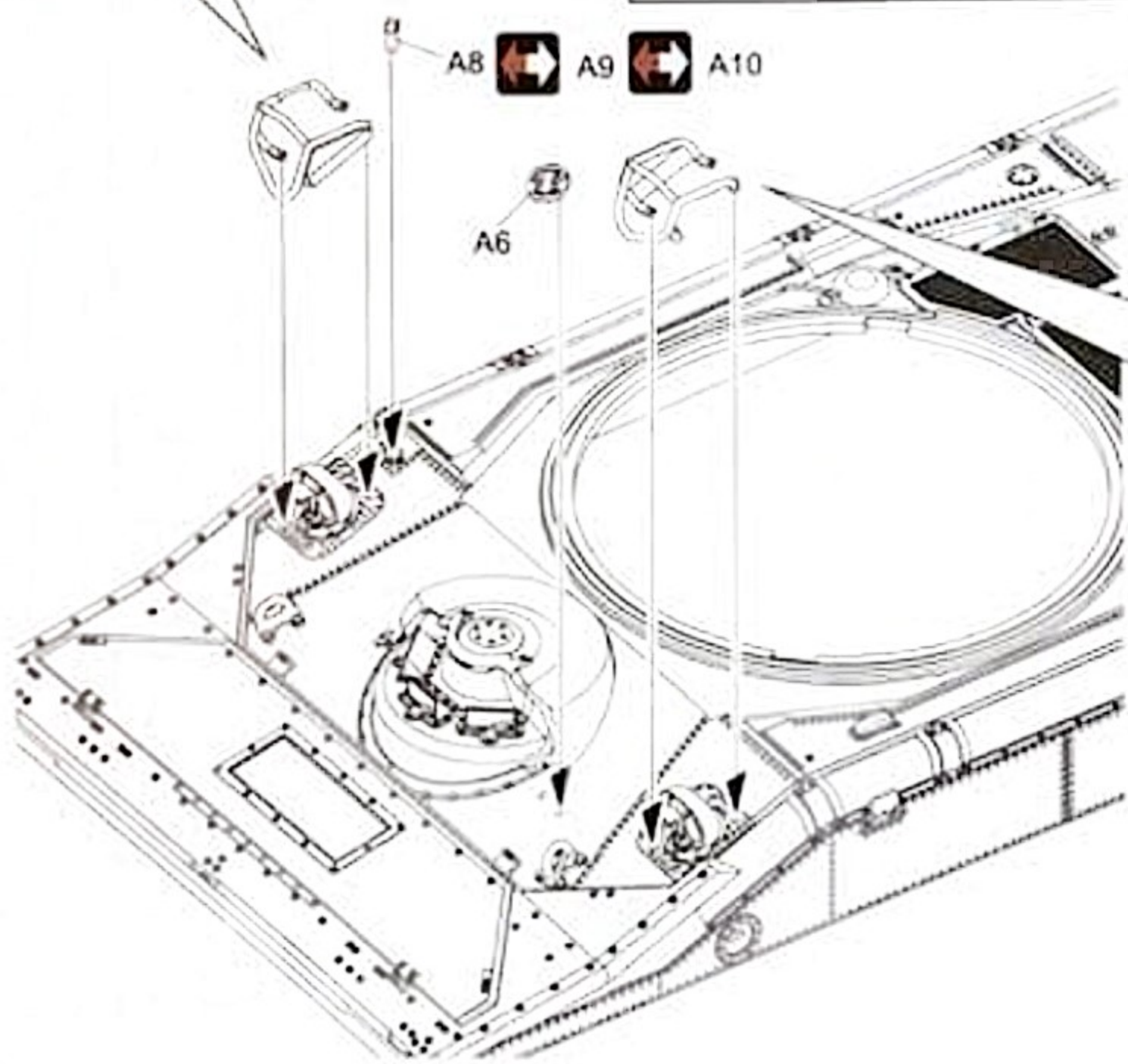
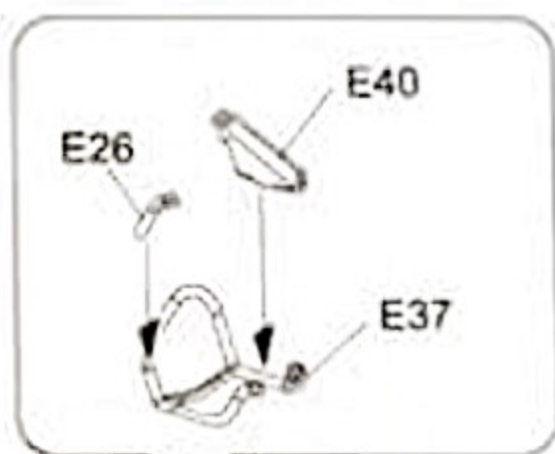
STEP 44



STEP 45



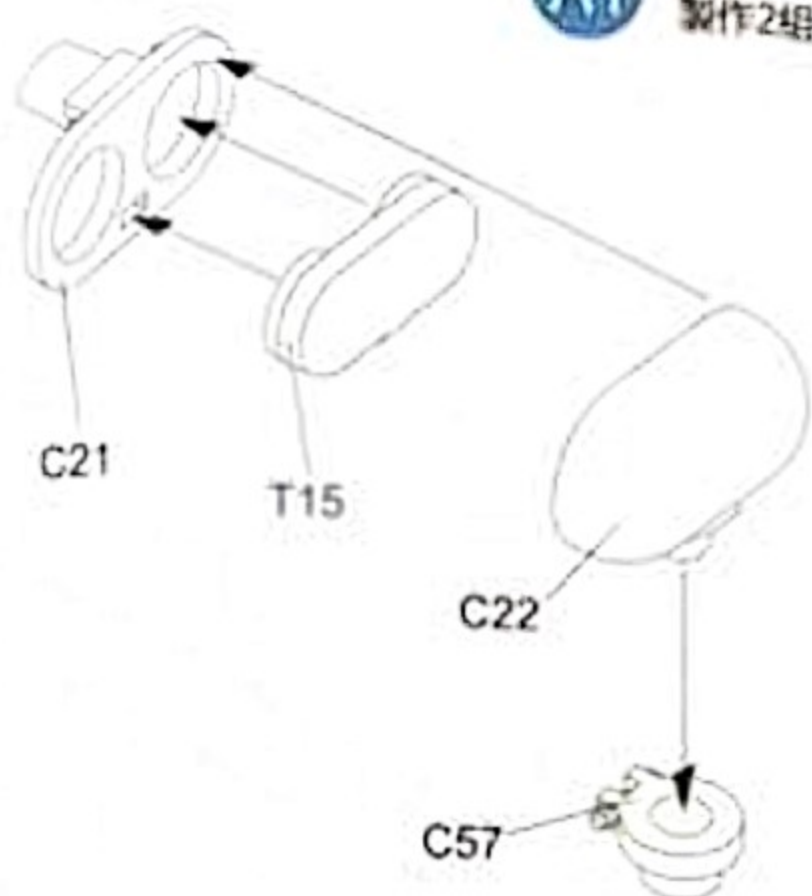
STEP 46





Use only for A1
A1型安装样式

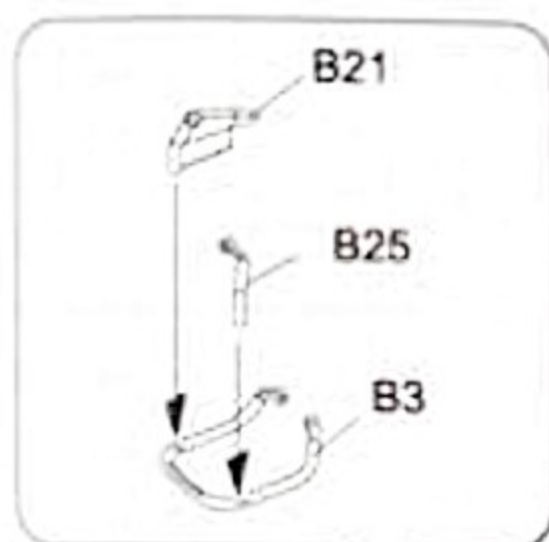
A1 MAKE 2
製作2组



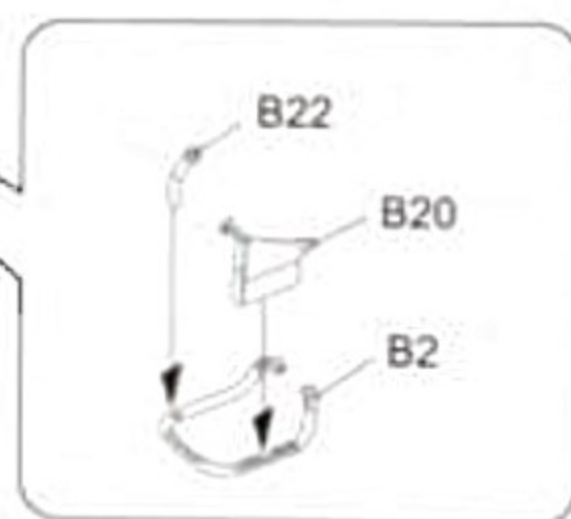
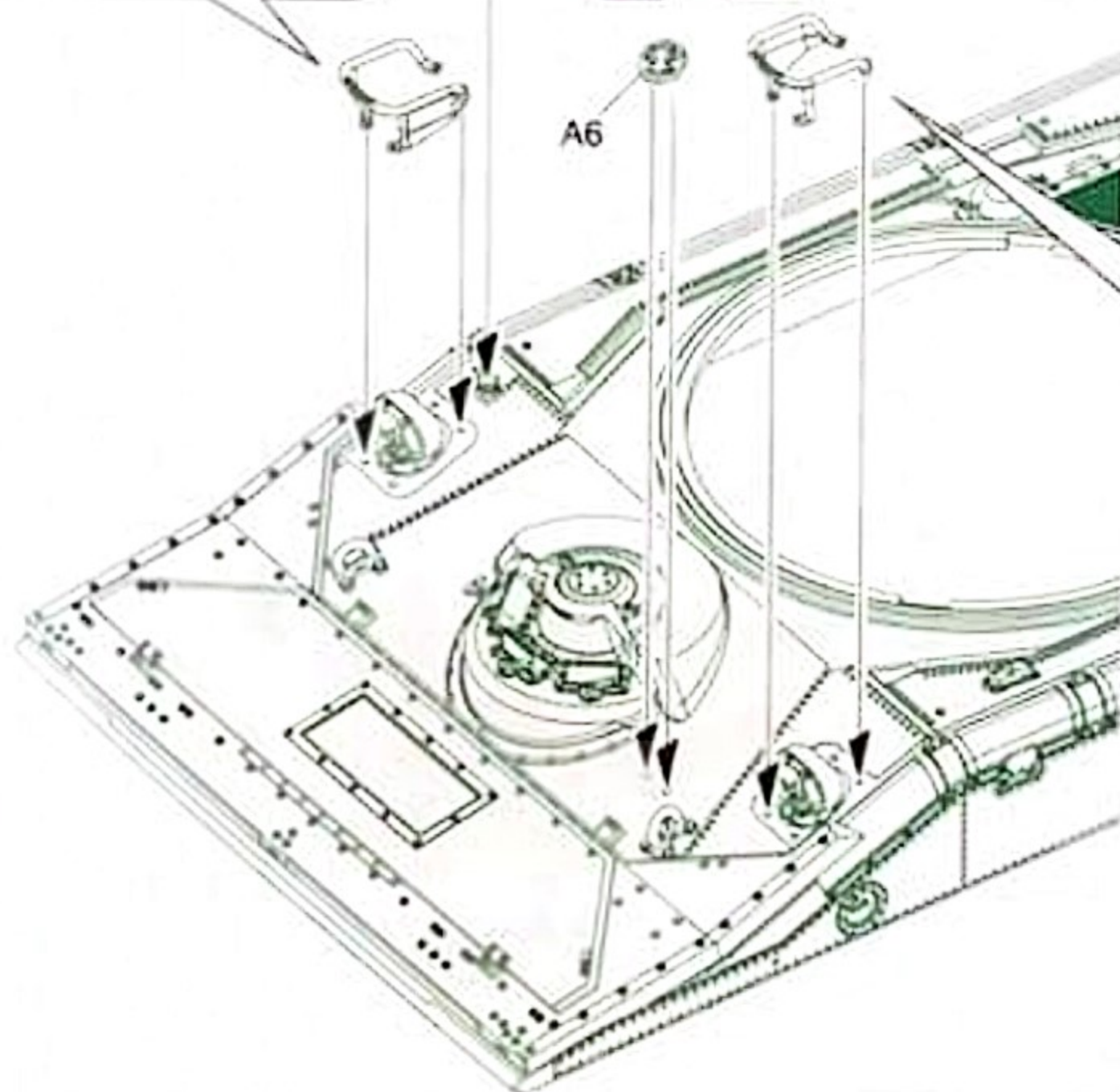
Cut out from the sprue C
从C版胶道上获取

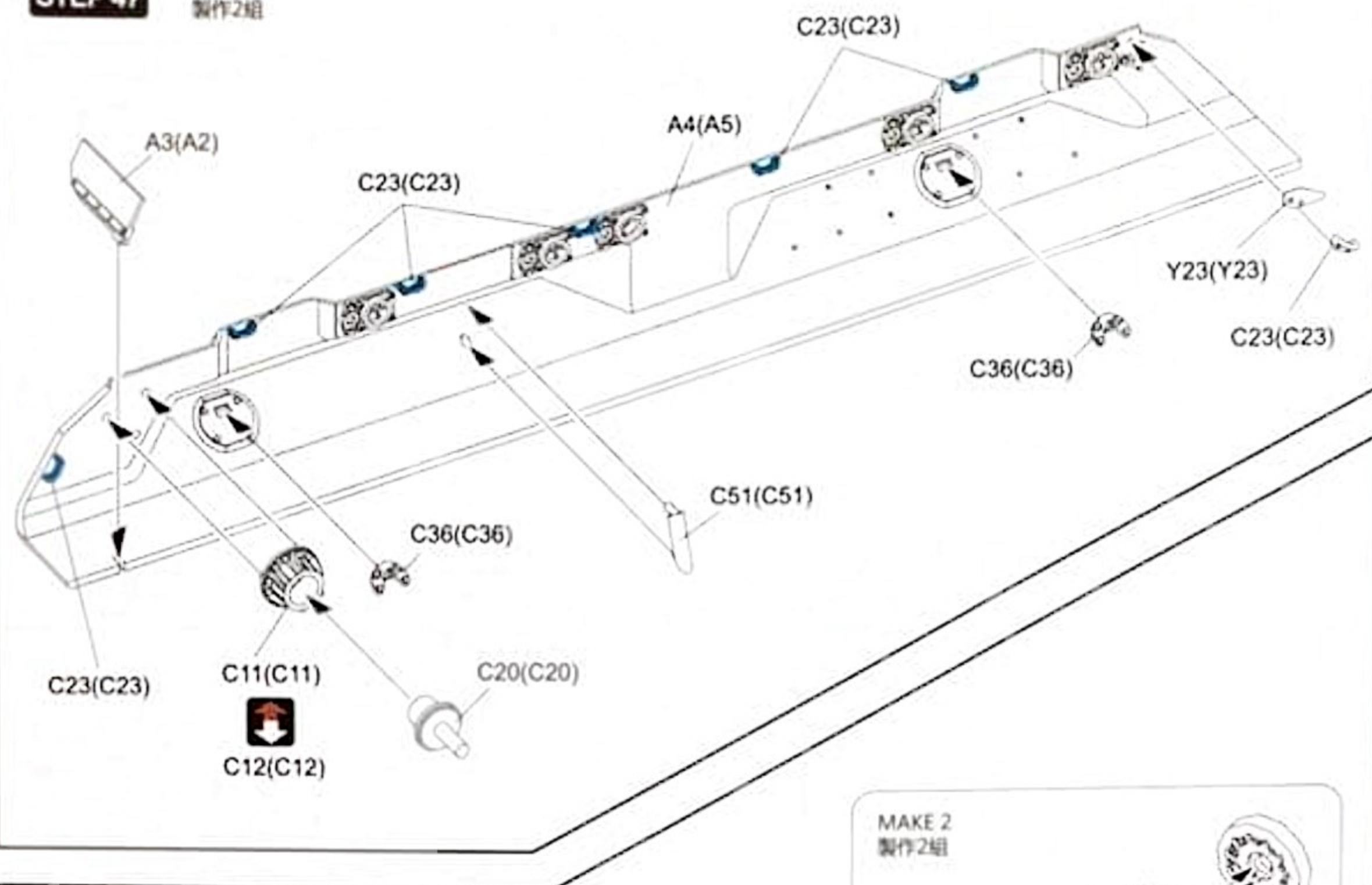
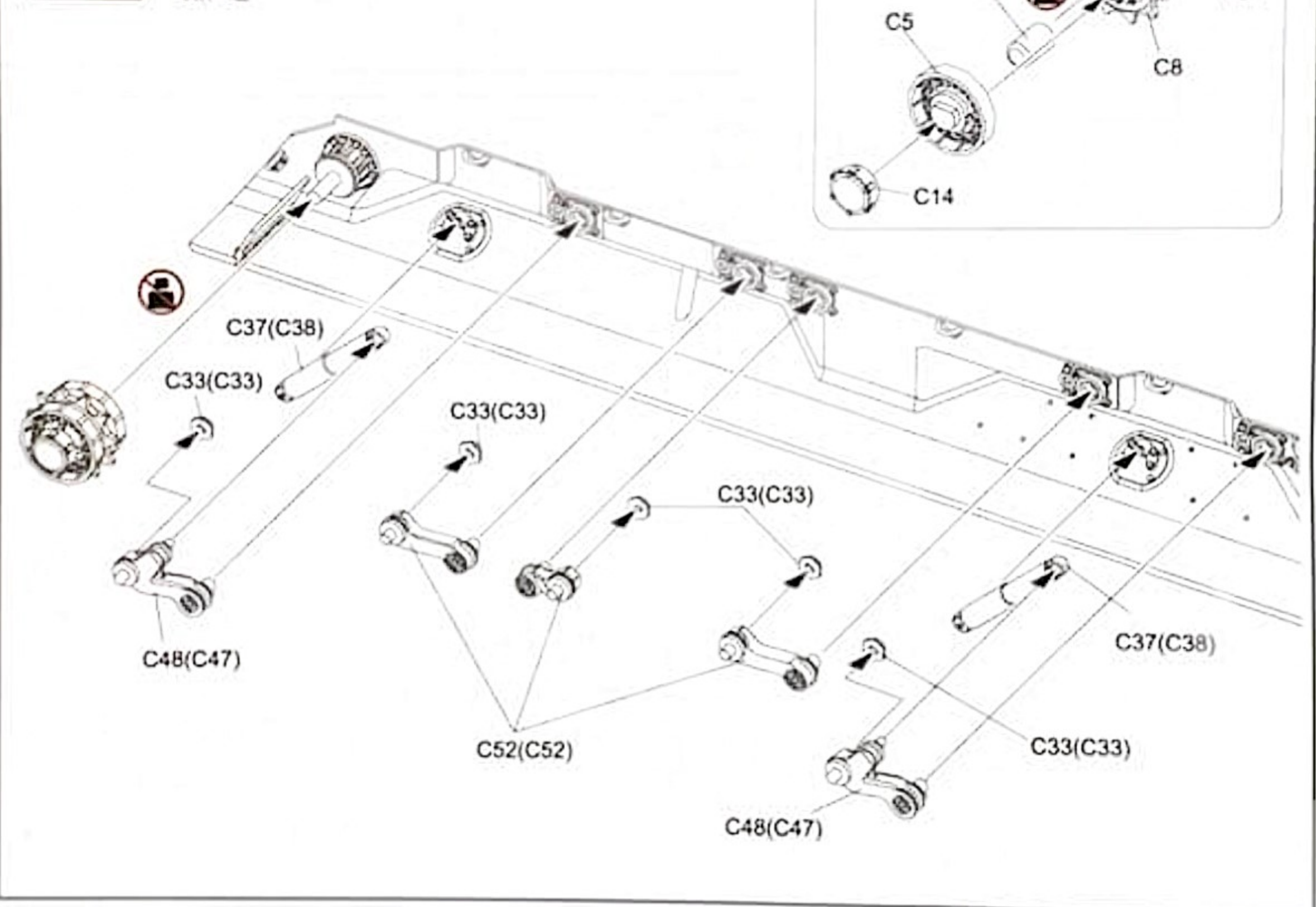


Use only for A1
A1型安装样式

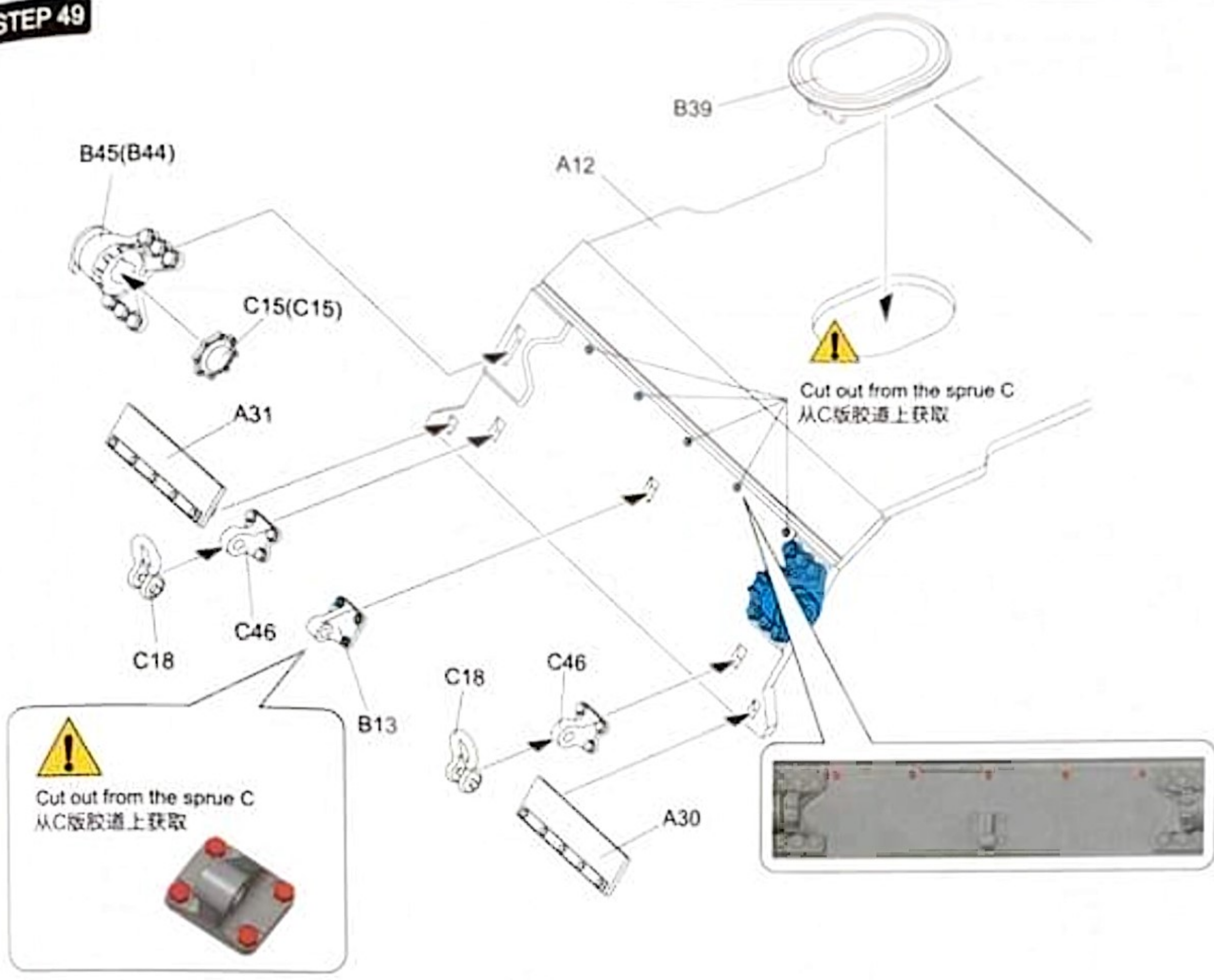


A8 A9 A10

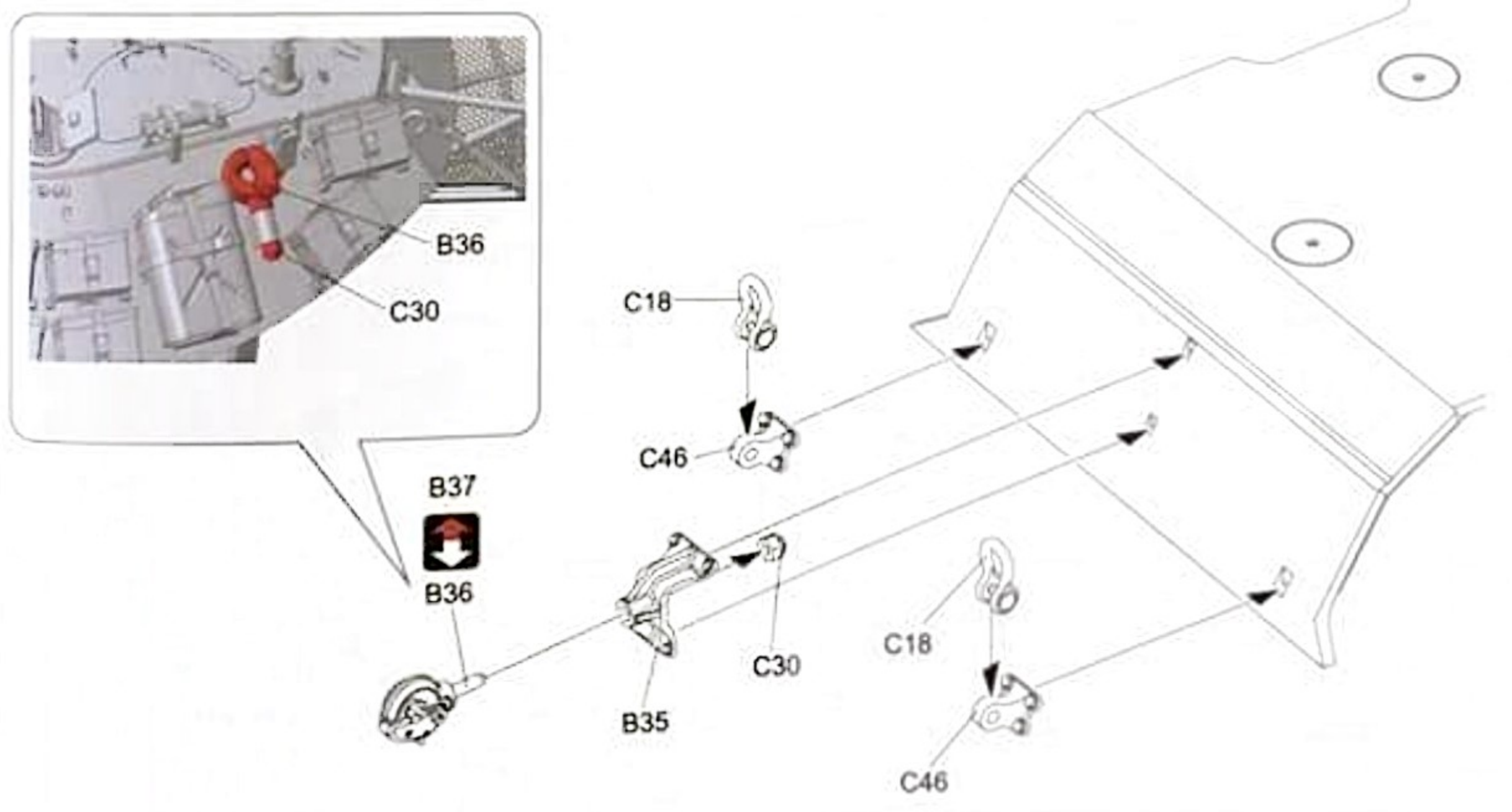


STEP 47MAKE 2
製作2組**STEP 48**MAKE 2
製作2組

STEP 49



STEP 50





Use only for A1
A1型安装样式

MAKE 2
製作2組

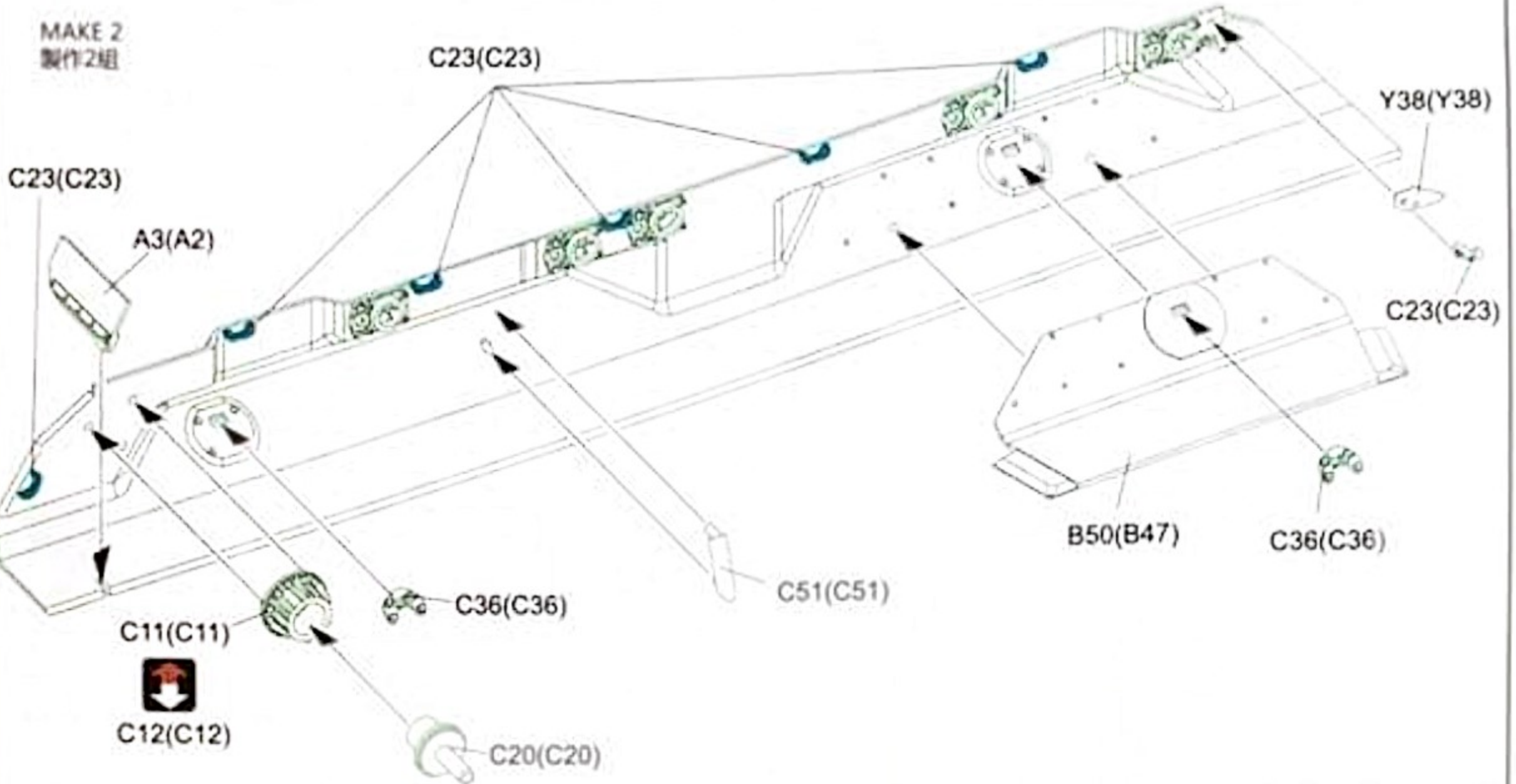


1.1MM

A4(A5)

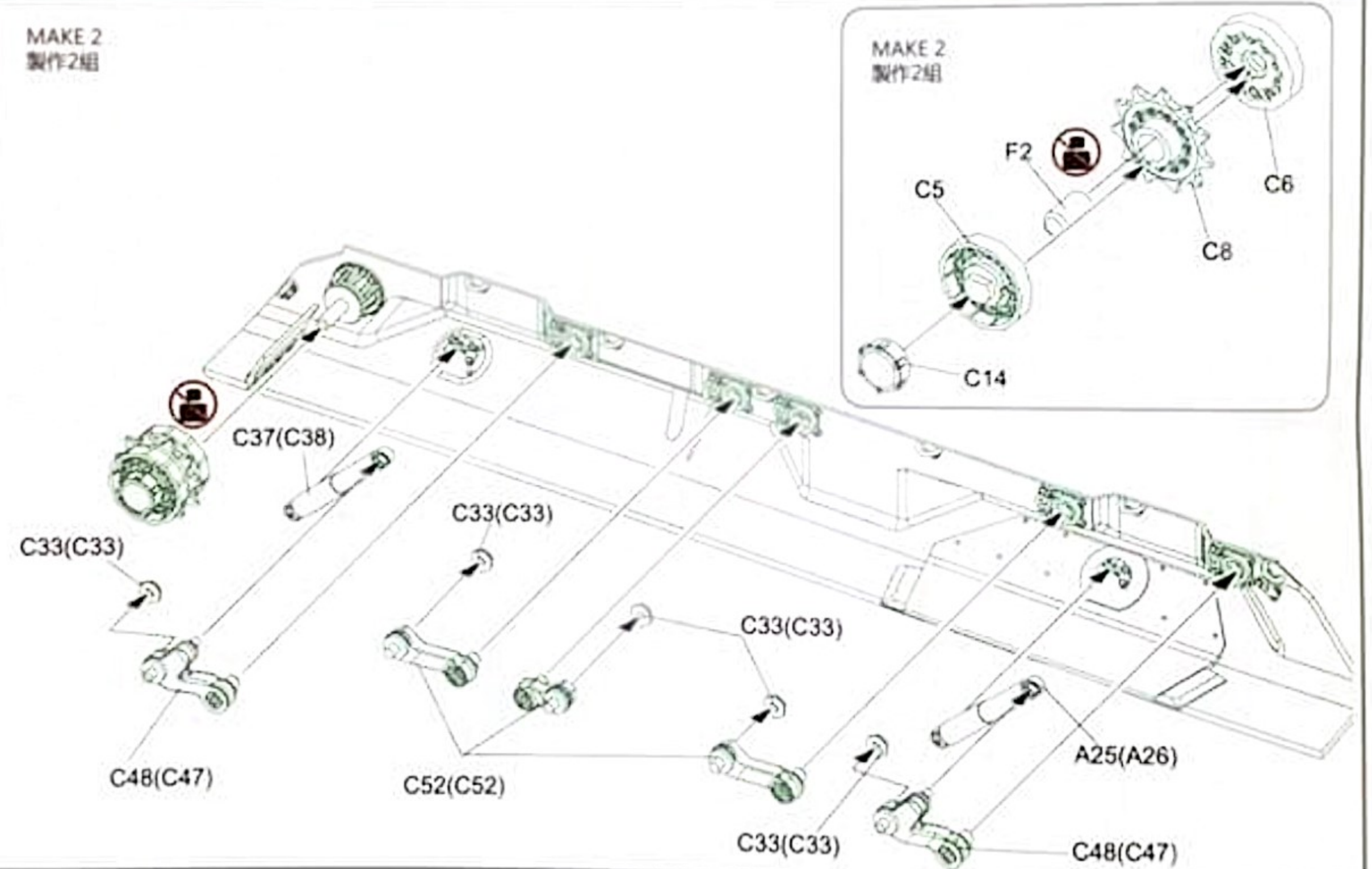


MAKE 2
製作2組



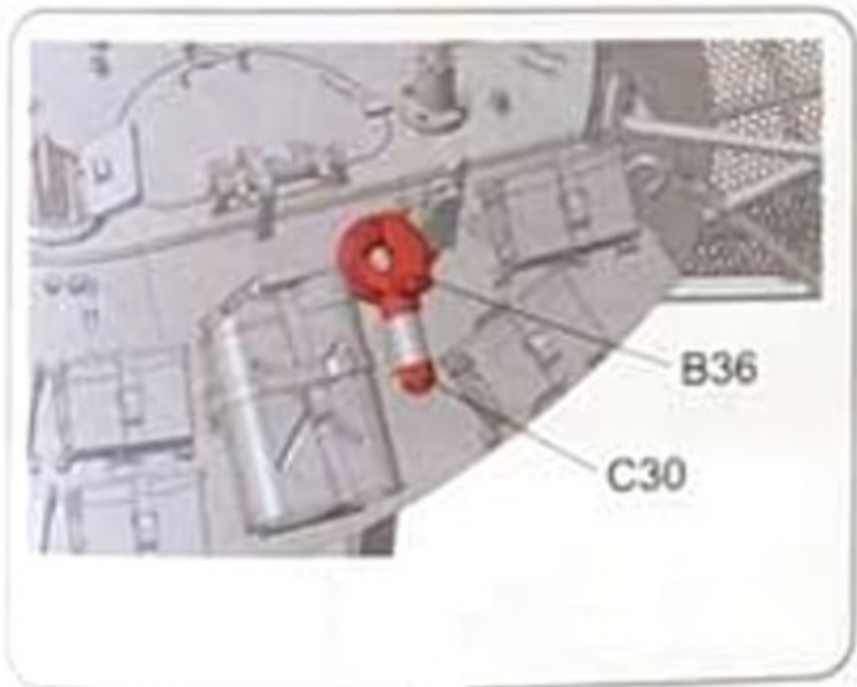
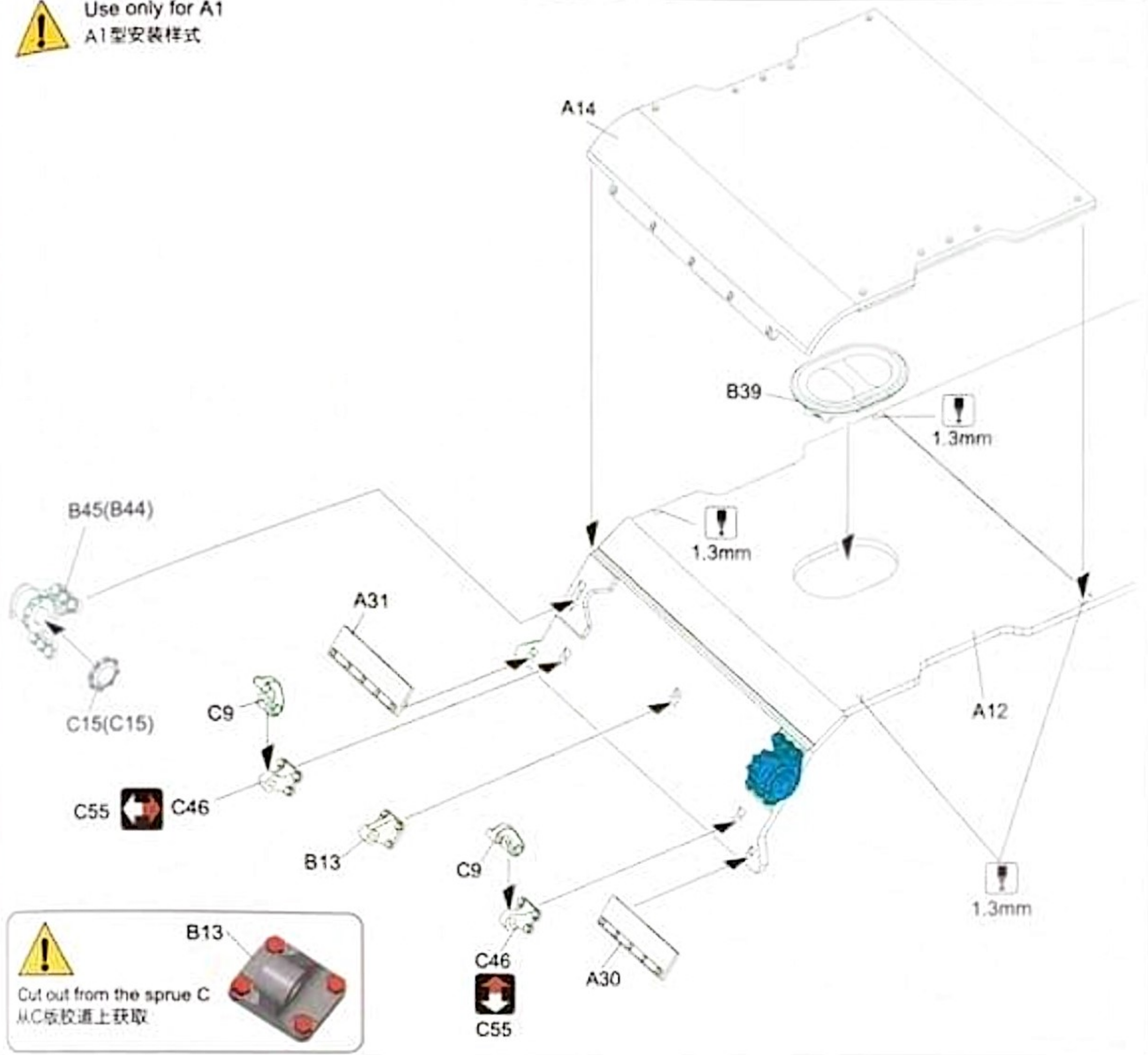
MAKE 2
製作2組

MAKE 2
製作2組

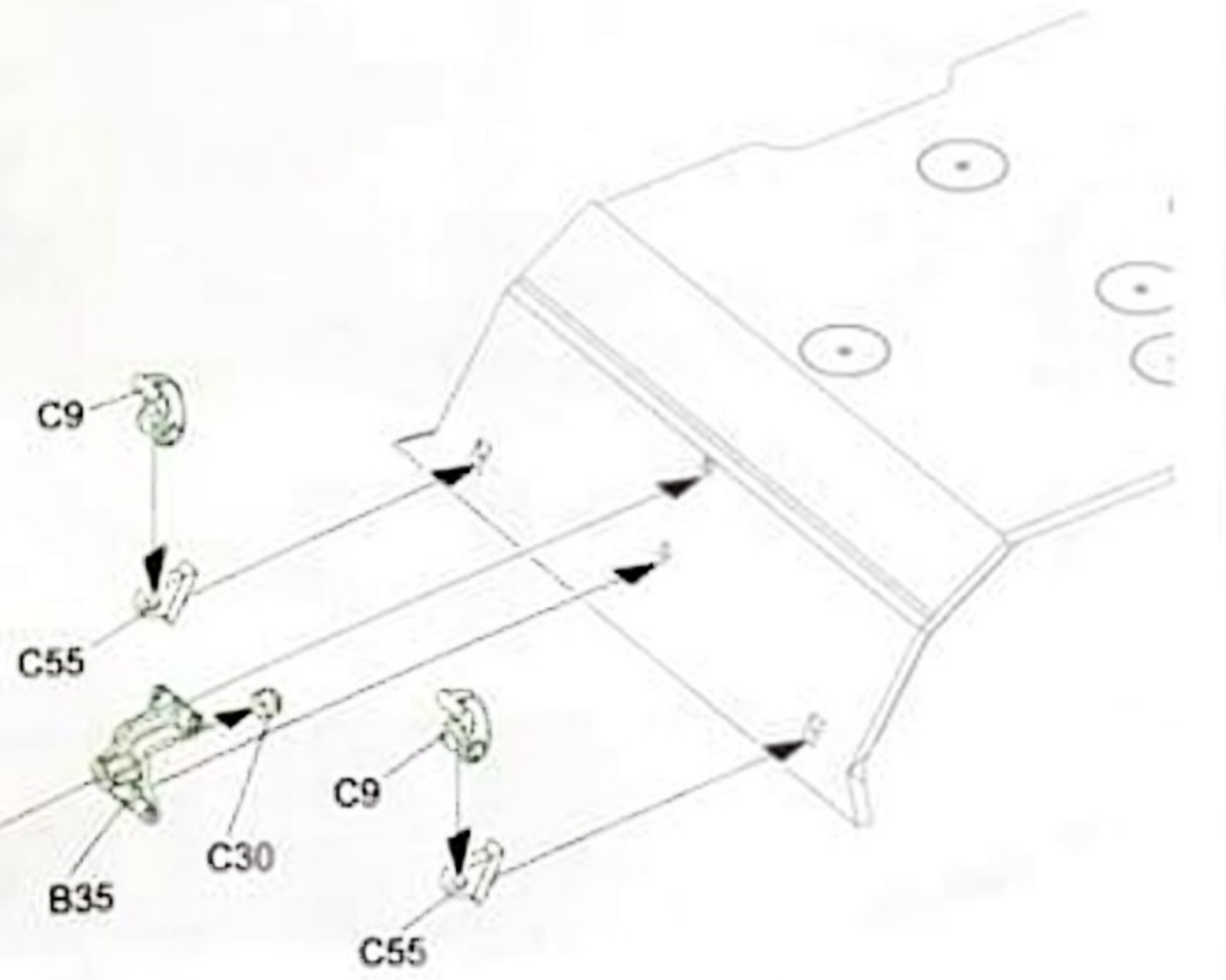




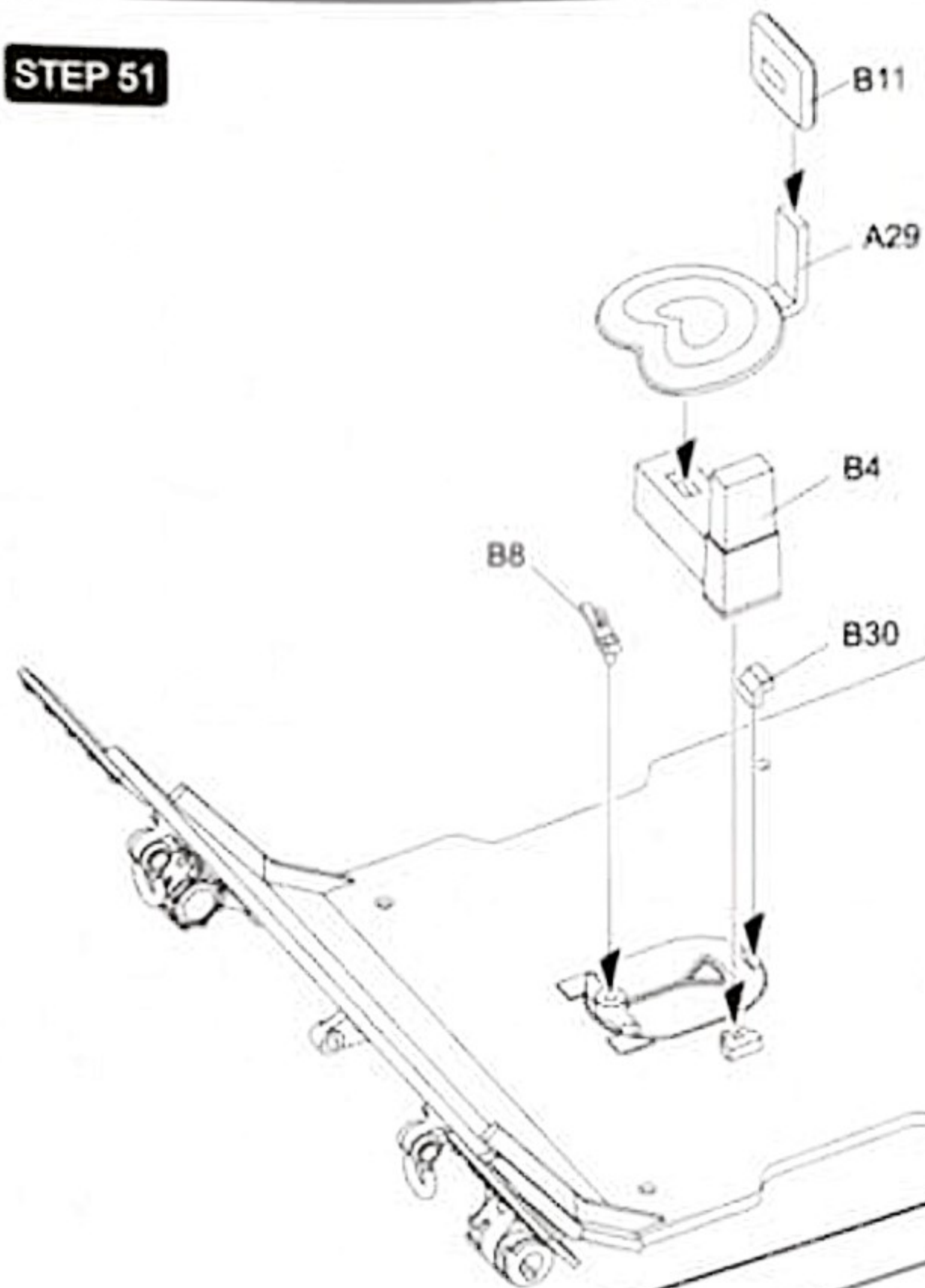
Use only for A1
A1型安装样式



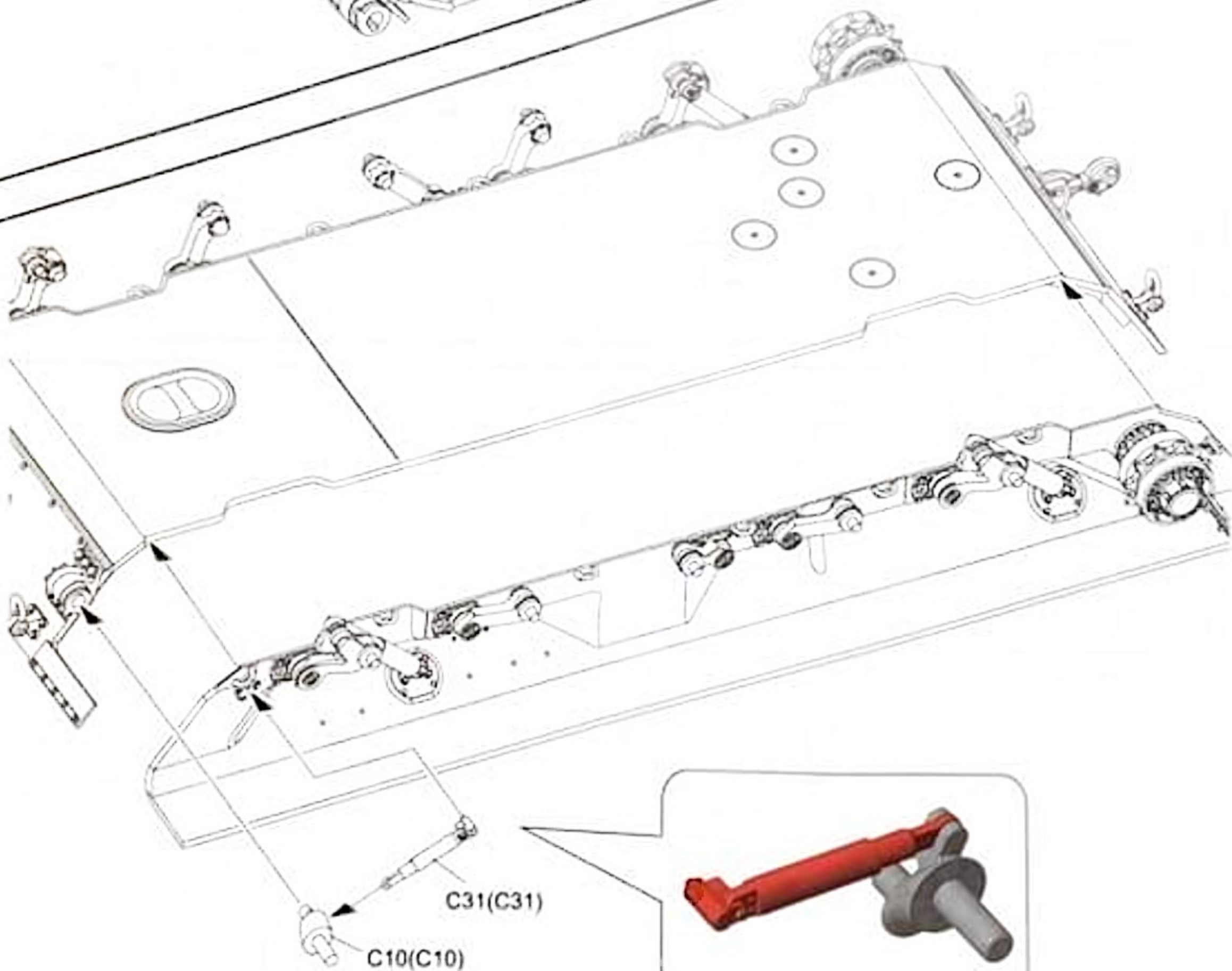
B37
B36



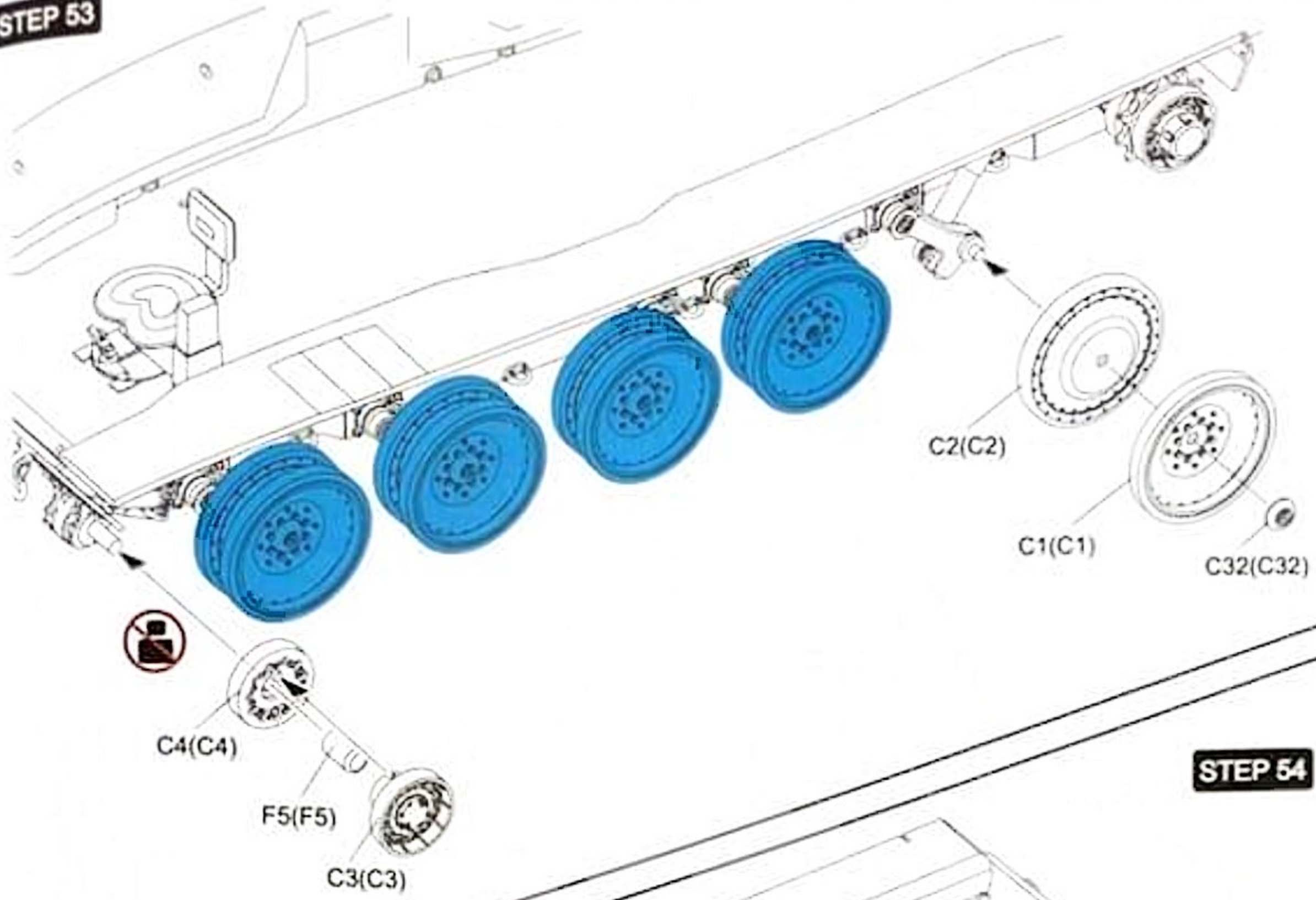
STEP 51



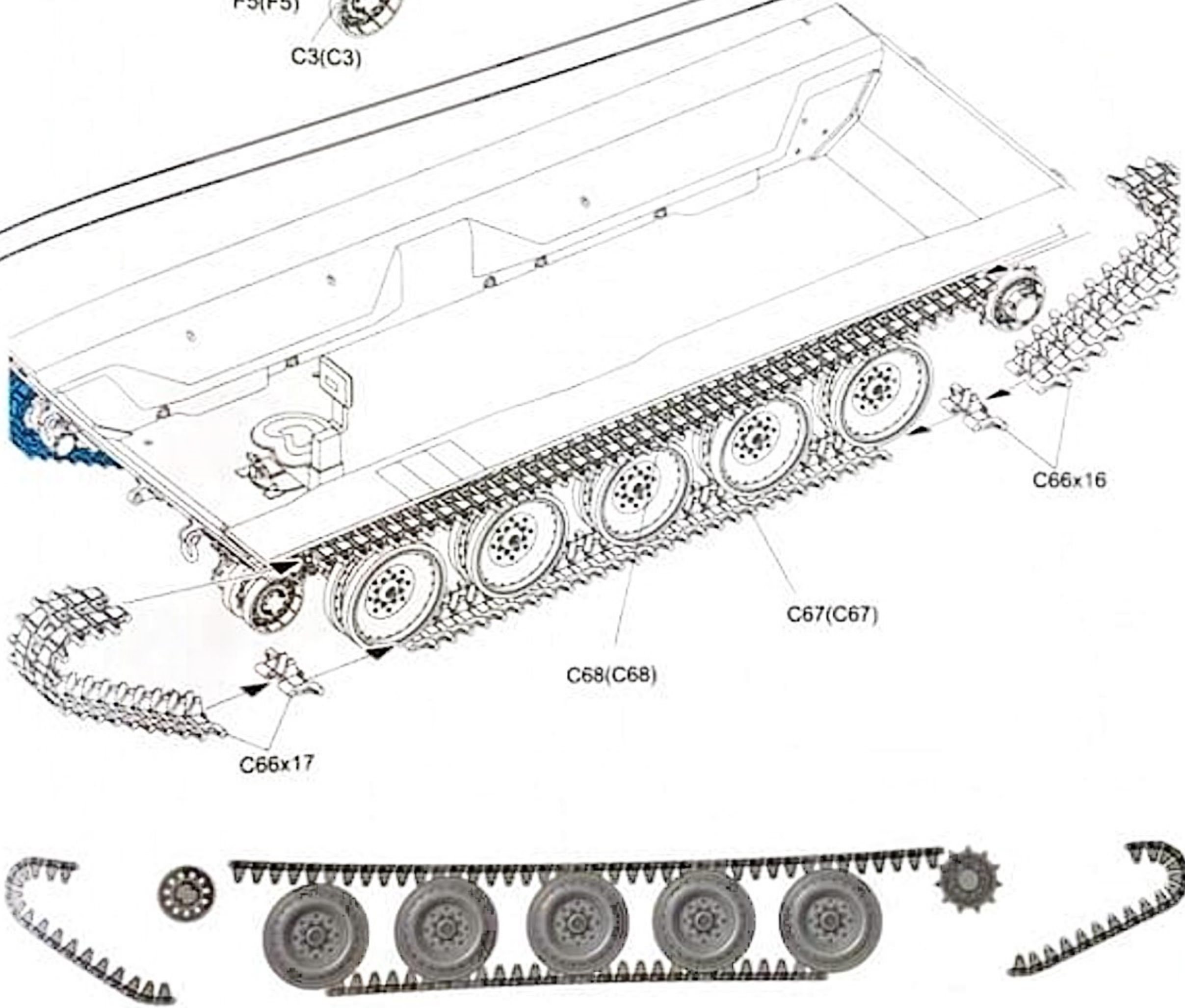
STEP 52



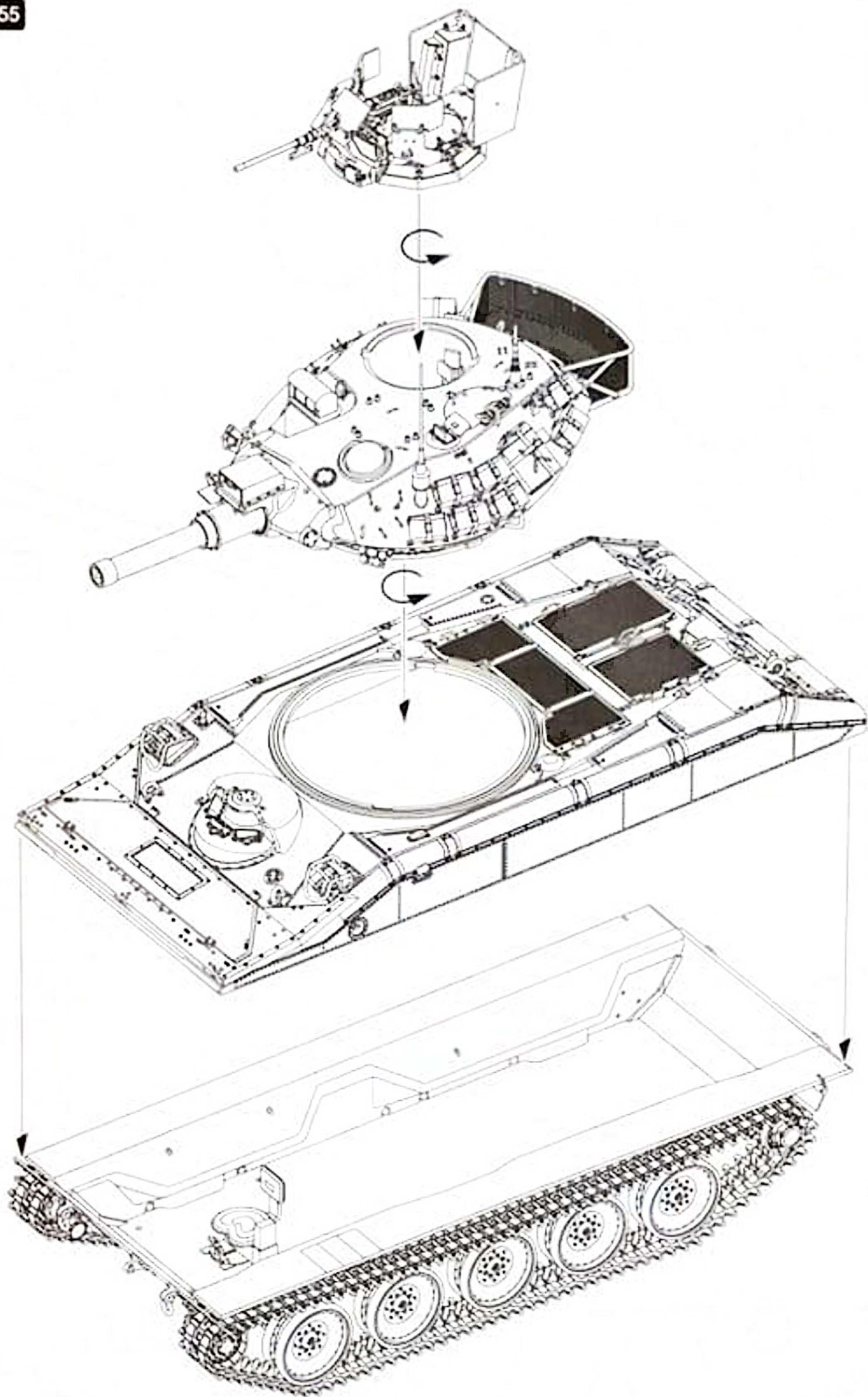
STEP 53



STEP 54



STEP 55

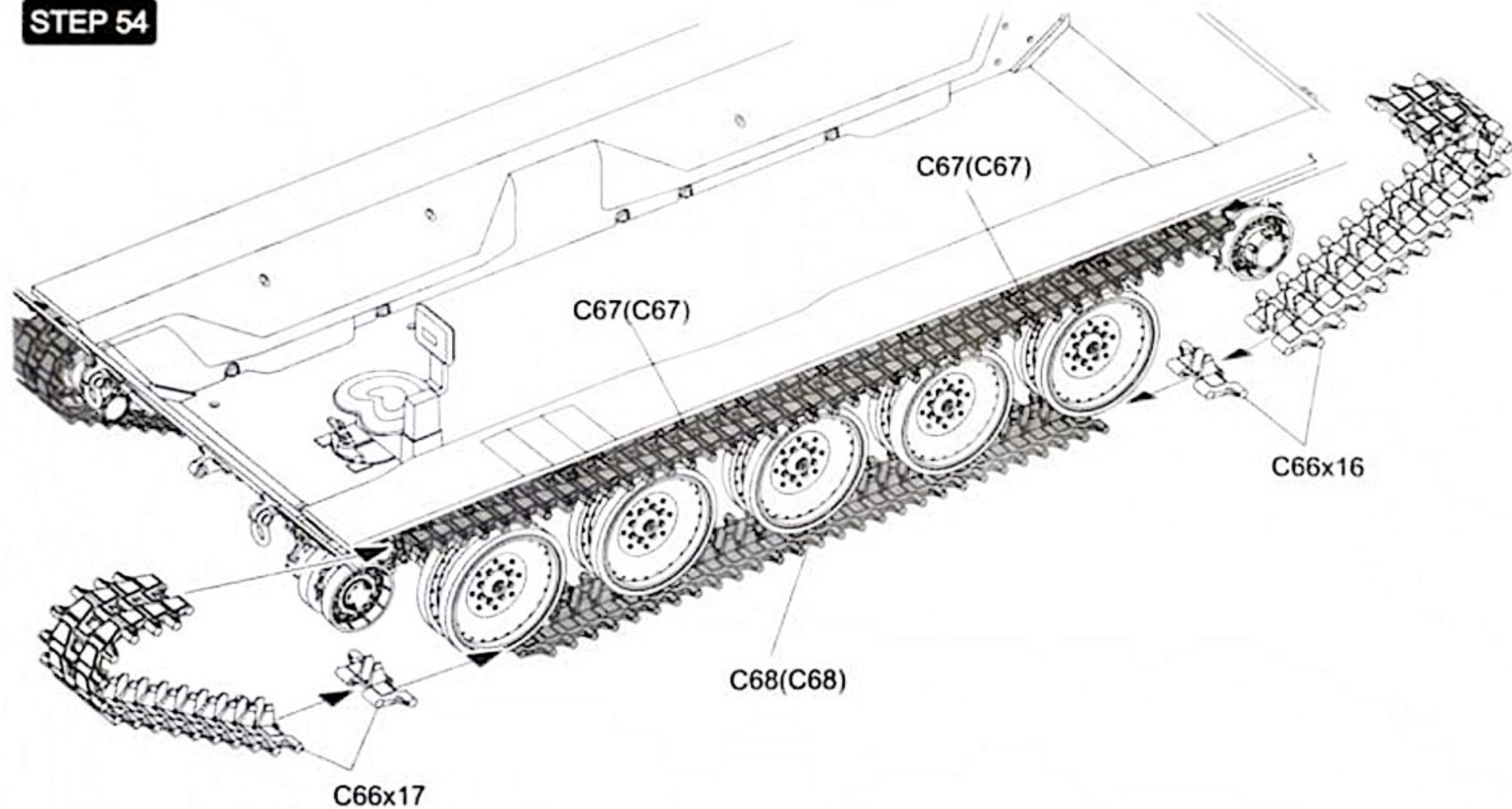




Instructions corrected for step 54 on page 34

第33页之第54步修正如下：

STEP 54



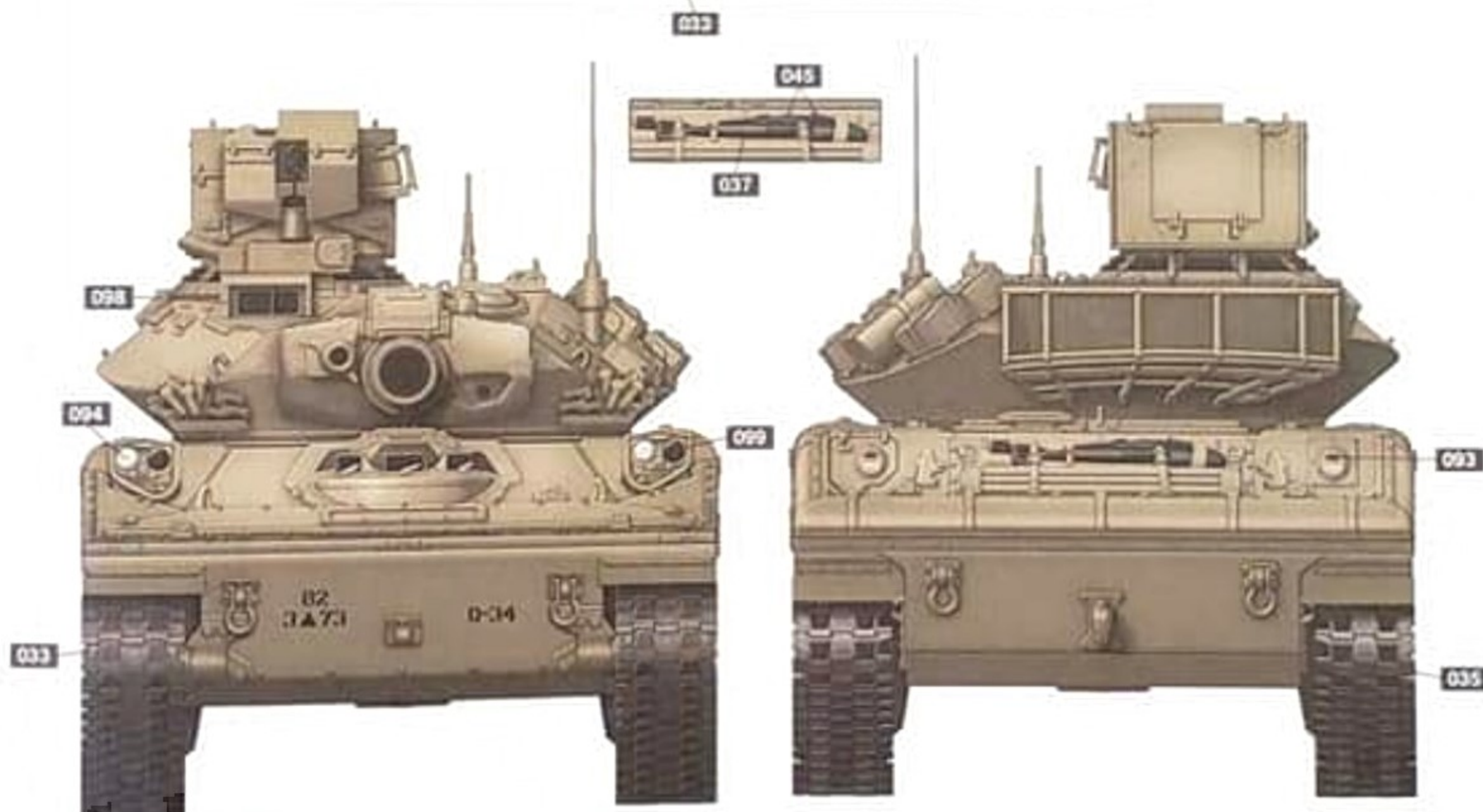
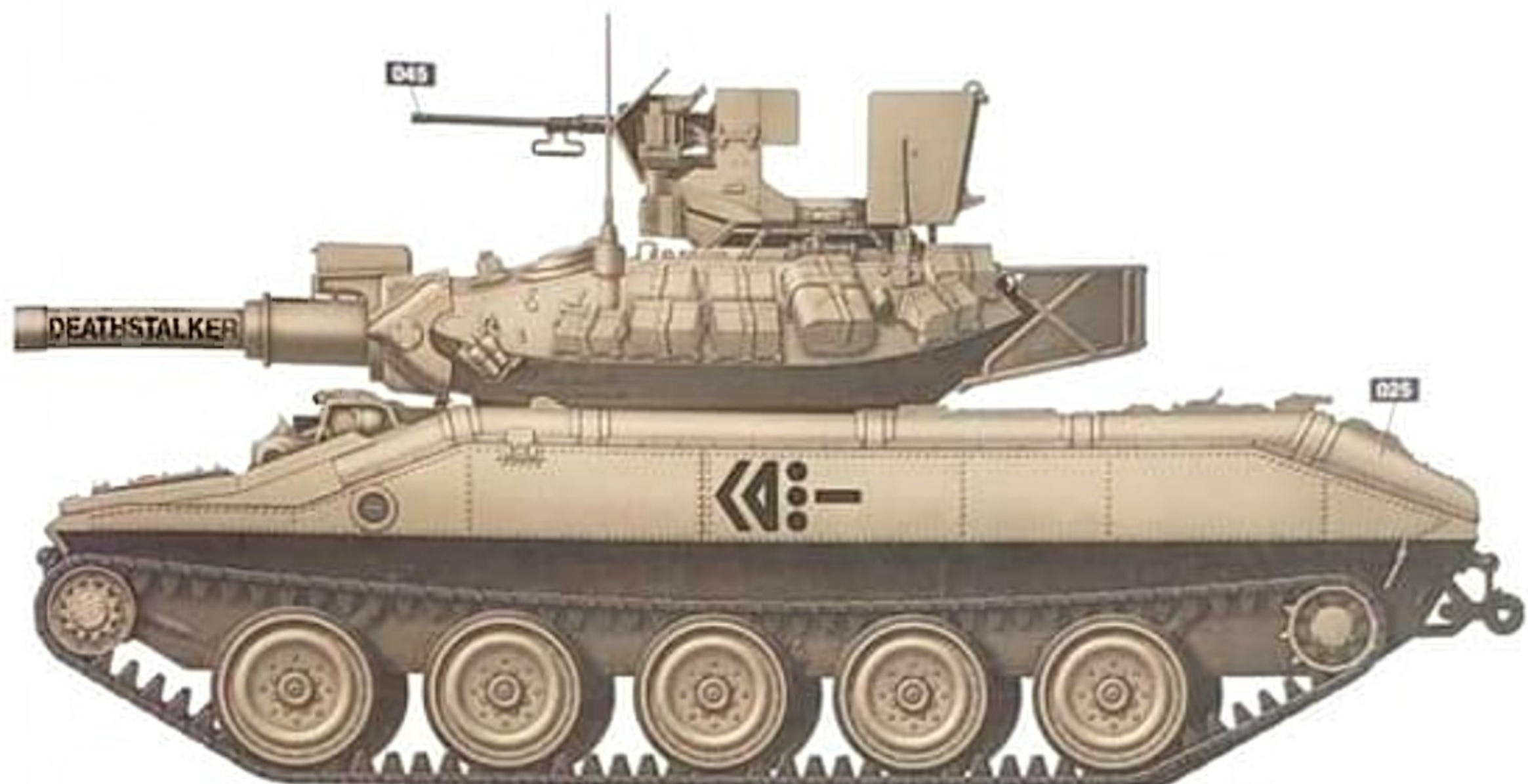
M551 A1/A1 (TTS) Sheridan

Painting and Marking Guide

www.migjimenez.com



 AMG 025 US Modern Vehicles	 AMG 033 Rubber & Tires	 AMG 035 Dark Tracks
 AMG 037 Fine Wood	 AMG 045 Gun Metal	 AMG 093 Crystal Red
 AMG 094 Crystal Glass	 AMG 098 Crystal Black Blue	 AMG 099 Crystal Smoke



WEATHERING STEPS WITH AMMO PRODUCTS

1 GENERAL WASH

A.MG-1000 Brown Wash for German Yellow

2 FILTER

A.MG-1504 Brown for Desert Yellow

3 STREAKING

A.MG-1203 Streaking Grime

4 TRACK WASH

A.MG-1002 Tracks Wash

5 DUST

A.MG-3002 Light Dust

A.MG-3026 Golan Earth

A.MG-3013 Rubber

6 RUST

A.MG-3510 Rust

7 GREASE & OIL

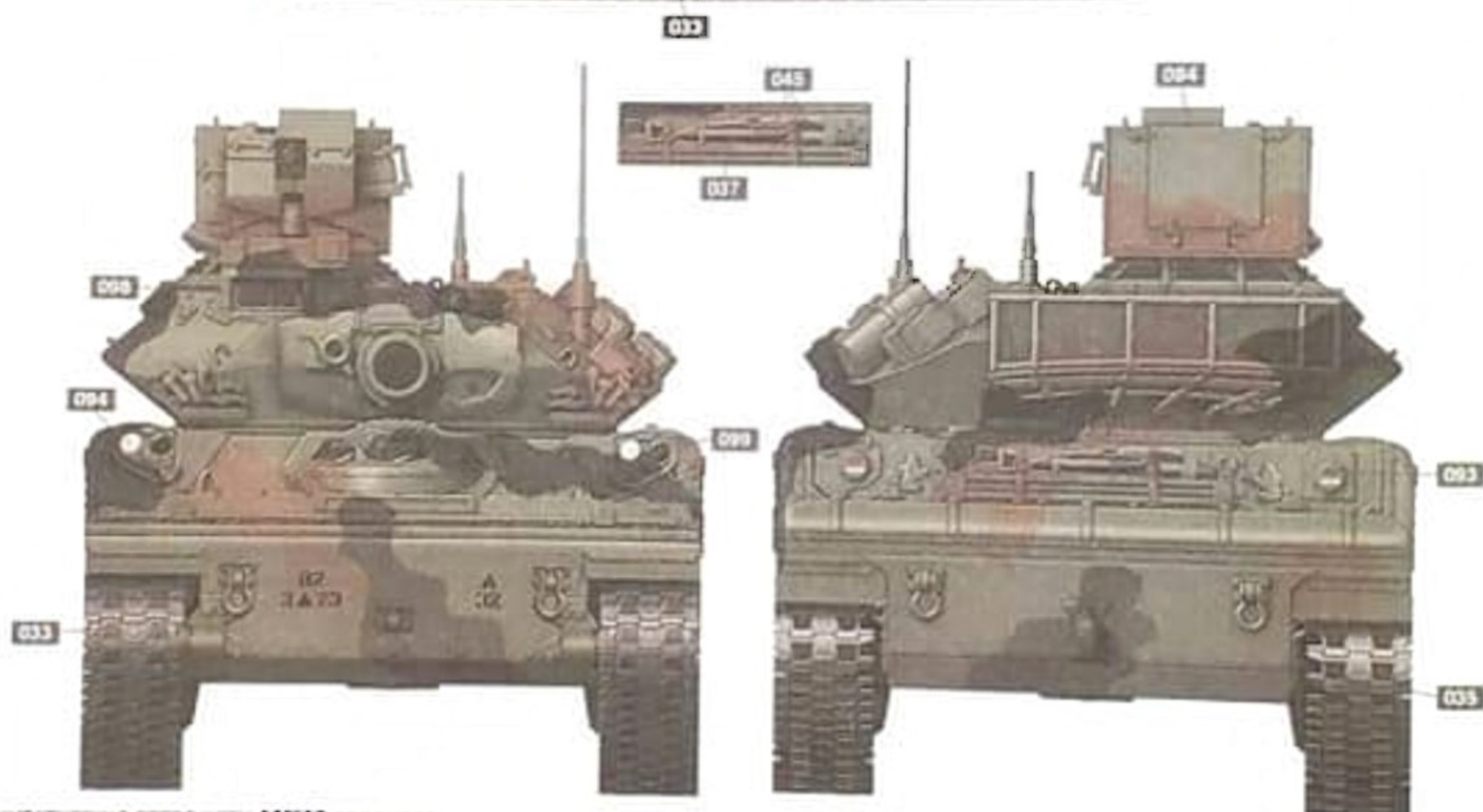
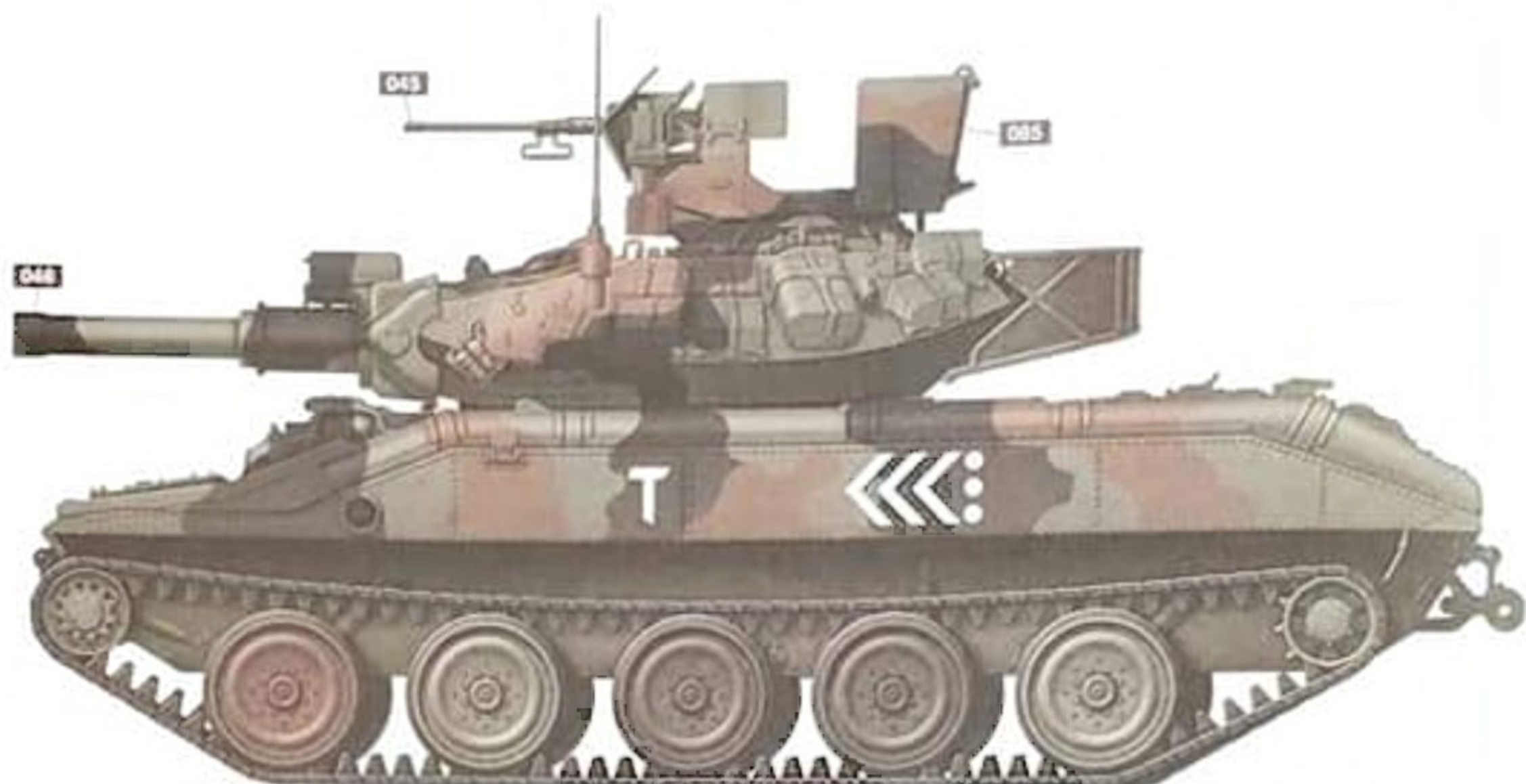
A.MG-1406 Fresh Engine Oil



M551 A1/A1 (TTS) Sheridan

Painting and Marking Guide

A.MIG 033 Fuzzer & Tint	A.MIG 035 Dark Tracks	A.MIG 037 New Wood
A.MIG 045 Gun Metal	A.MIG 046 Matt Black	A.MIG 084 NATO Green
A.MIG 085 NATO Brown	A.MIG 093 Crystal Reef	A.MIG 094 Crystal Glass
A.MIG 098 Crystal Black Blue	A.MIG 099 Crystal Smoke	



WEATHERING STEPS WITH AMMO PRODUCTS

- | | | | |
|--|--|---|--|
| 1 GENERAL WASH
A.MIG-1000 Brown Wash for German Yellow | 2 STREAKING
A.MIG-1201 Streaking Grime | 3 DUST
A.MIG-3002 Light Dust
A.MIG-5026 Golan Earth
A.MIG-2013 Rubble | 4 RUST
A.MIG-3510 Rust |
| 5 FILTER
A.MIG-1104 Brown for Desert Yellow | 6 TRACK WASH
A.MIG-1102 Tracks Wash | | 7 GREASE & OIL
A.MIG-1408 Fresh Engine Oil |